



RF 125 R / OC14

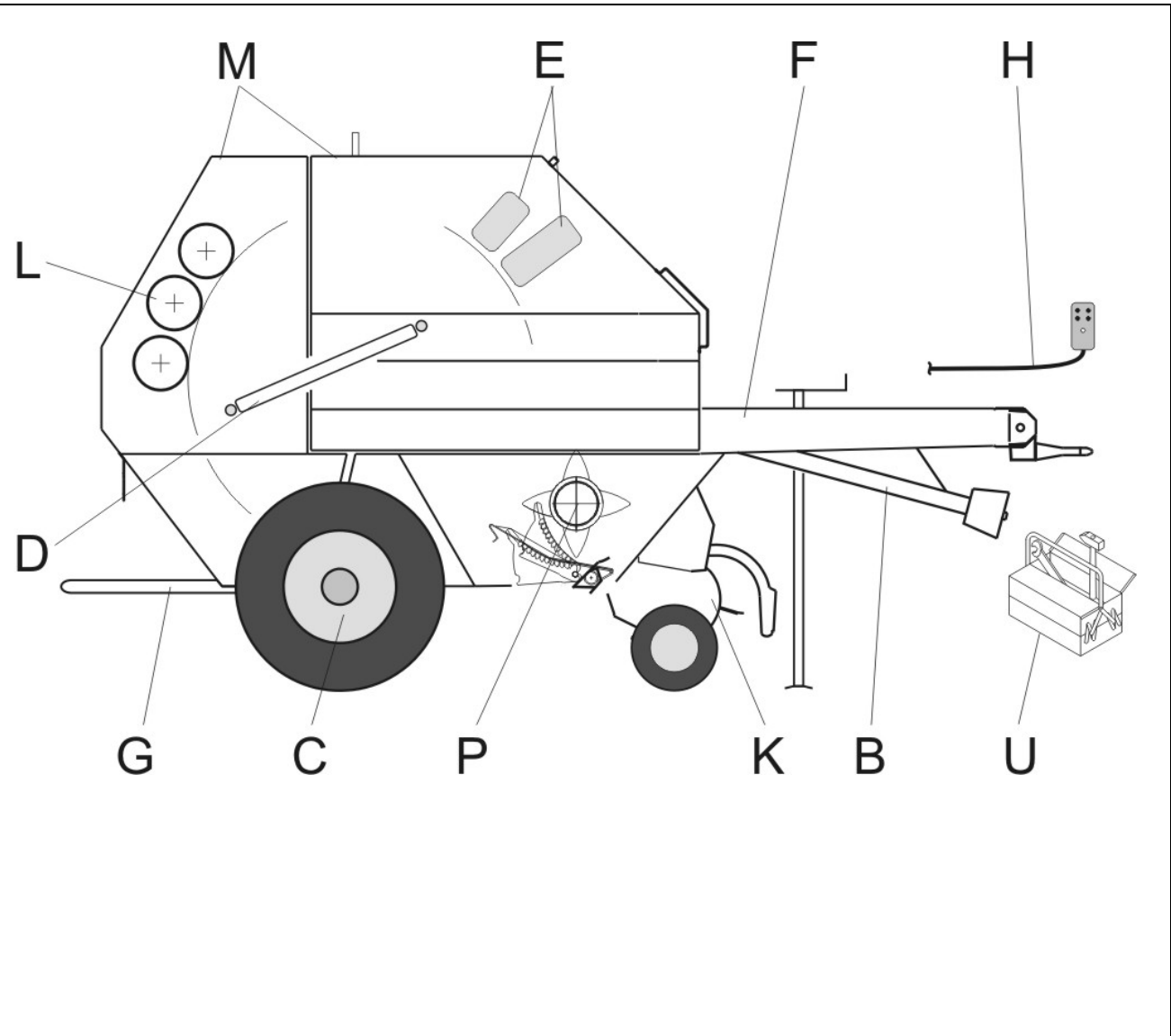
Spare Parts Manual

Article number : VF16658408
Language : EN
Production year (from) : 2006
Prod. Series nr (from) : 6837
< Mach. ID <=

RF 125 R / OC14 / Table of Contents



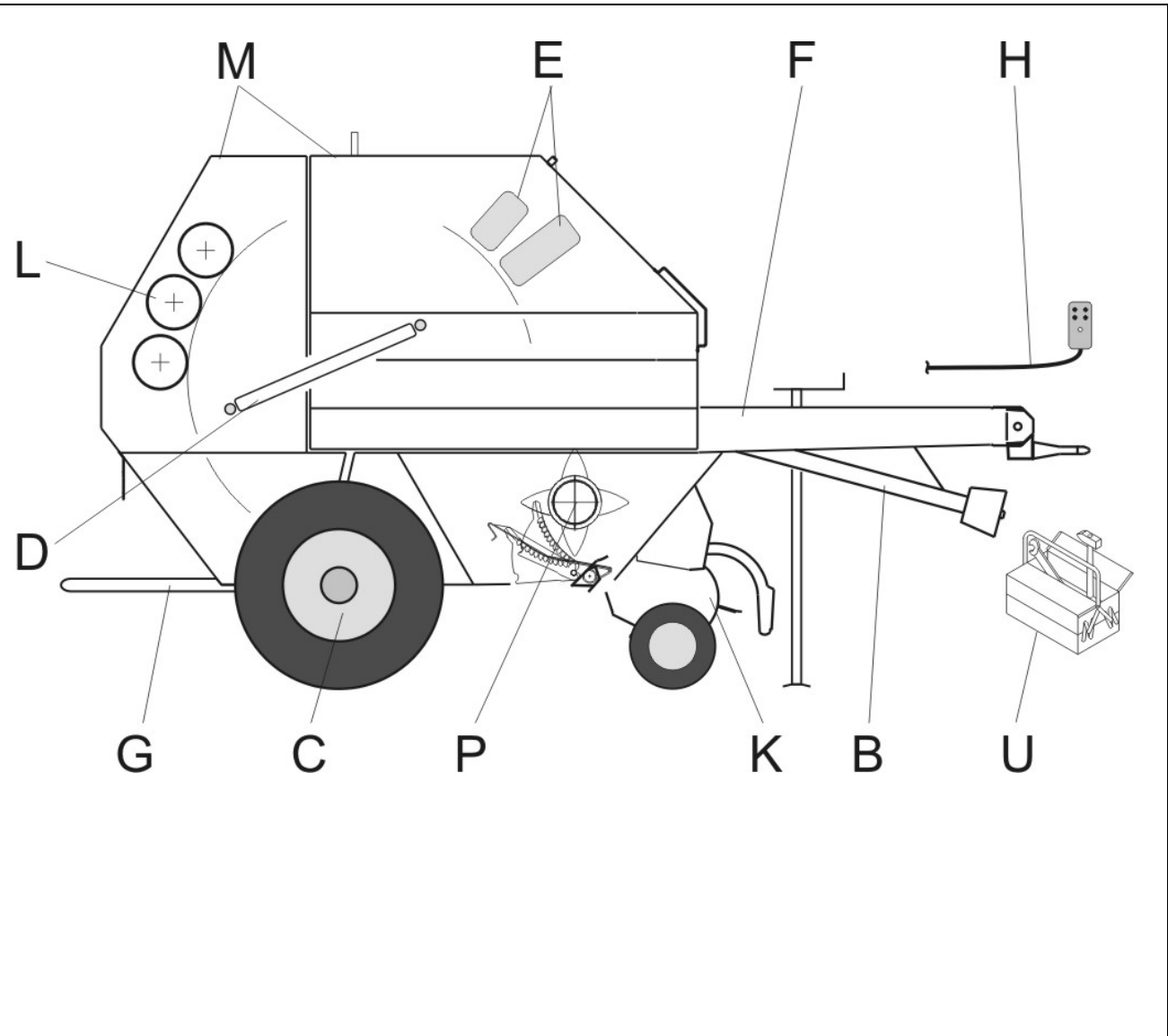
PosNo.	Assembly group	Page
B	GEAR BOX	1
B	GEAR BOX WITH ACCESSOIRES	2
B	DRIVE SHAFT	3
B	TENSIONER FOR MAIN DRIVING CHAIN	4
B	TENSIONER FOR CHAIN IN FRONT	5
B	TENSIONER FOR CHAIN BACK	6
B	UNIVERSAL PROP SHAFT WITH COUPLING	7
C	WHEEL AXLE	8
C	BRAKE AXLE	9
C	OUTER COVER	10
C	SUPPORT ADJUSTABLE	11
C	PARKING BRAKE FOR PRESS AIR BRAKE	12
D	HYDRAULIC SYSTEM REAR PART	13
D	HYDRAULIC SYSTEM PICK-UP	14
D	HYDRAULIC SYSTEM CUTTING DEVICE	15
D	HYDRAULIC LIFT UNIT	16
D	LUBE SYSTEM	17
D	OIL PUMP	18
D	HYDRAULIC BRAKE FRANCE	19
D	AIR BRAKE	20
D	AIR BRAKE	21
D	AIR BRAKE	22
D	HY. COUPLING FOR TOOTHED ROLLER	23
E	TWINE KNOTTER, FRAME	24
E	SKID LEFT AND RIGHT	25
E	COMBIN BOX	26
E	GUIDE PLATE	27
E	NET ROLLER BRAKE	28
E	NET BINDING FRAME	29
E	NET BINDING ROLLER	30
F	FRAME AND COVER	31
F	TRACTION DEVICE	32
F	EYE BOLTS	33
F	PROTECTIVE YOKE STEP	34
G	BALE CHUTE	35
H	LIGHING SYSTEM	36
H	ELECTRONIC CONTROLER	37
K	PICK-UP:	38



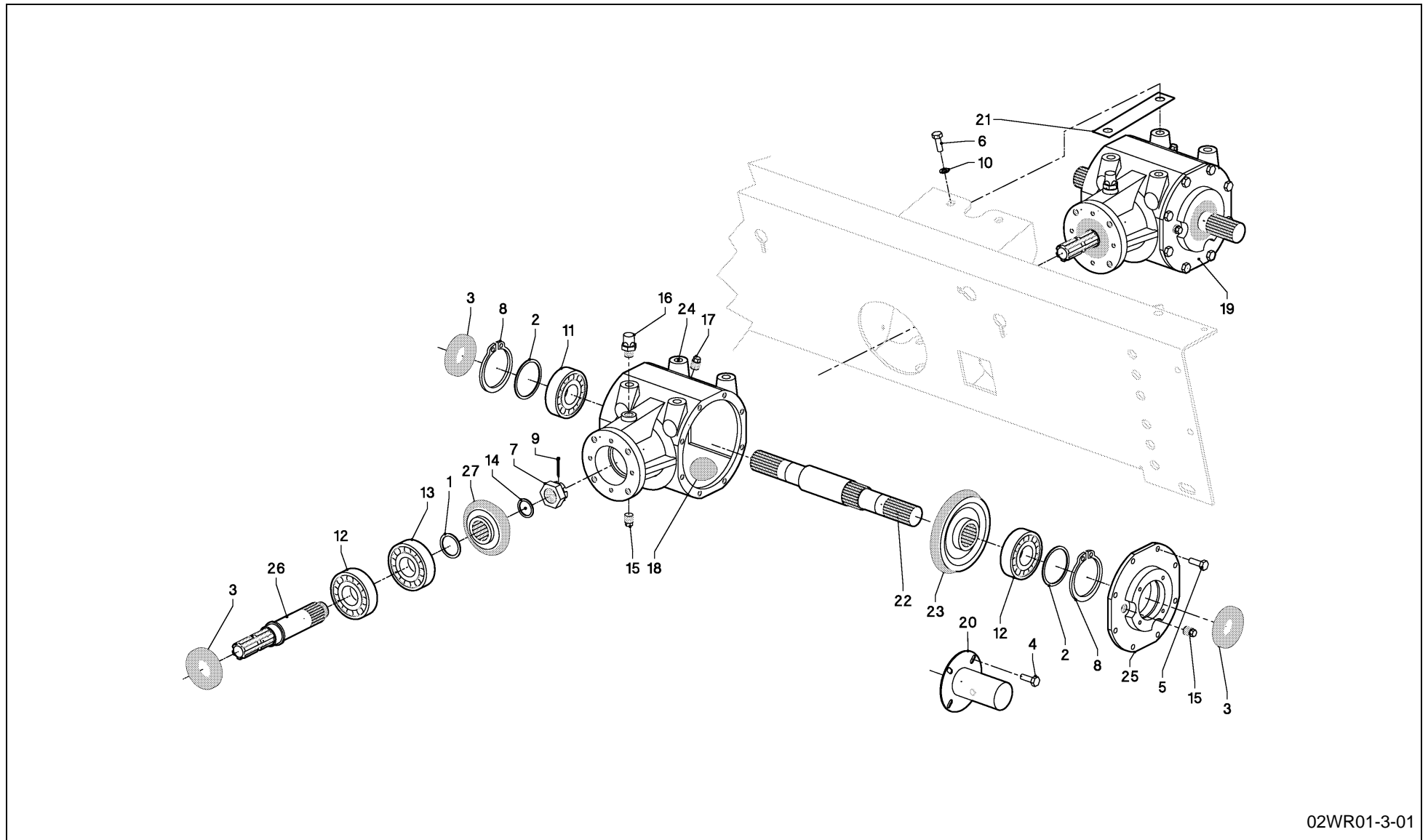
RF 125 R / OC14 / Table of Contents



PosNo.	Assembly group	Page
K	PICK-UP BAFFLE PLATE	39
K	CONTACT ROLLER	40
K	CONTACT ROLLER TURNABLE	41
K	PICK-UP ROLLER	42
L	DRIVE ROLL.IN FRONT	43
L	DRIVE ROLLER BACK	44
L	DRIVE ROLLER	45
L	END ROLLER	46
L	PROFI CHAINS	47
L	BEARINGS WITH LUBRICATION (OPTION)	48
M	COVERING CAP	49
M	PANELLING LEFT	50
M	PANELLING RIGHT	51
M	PANELLING	52
P	TENSIONER CUTTING DEVICE	53
P	CUTTING DEVICE 14 KNIFE	54
P	SCRAPER/WIPER 14 KNIFE	55
P	CHASSIS OC14	56
P	ROTOR OC14	57
U	DECALS PAINT	58



RF 125 R / OC14 / gear box



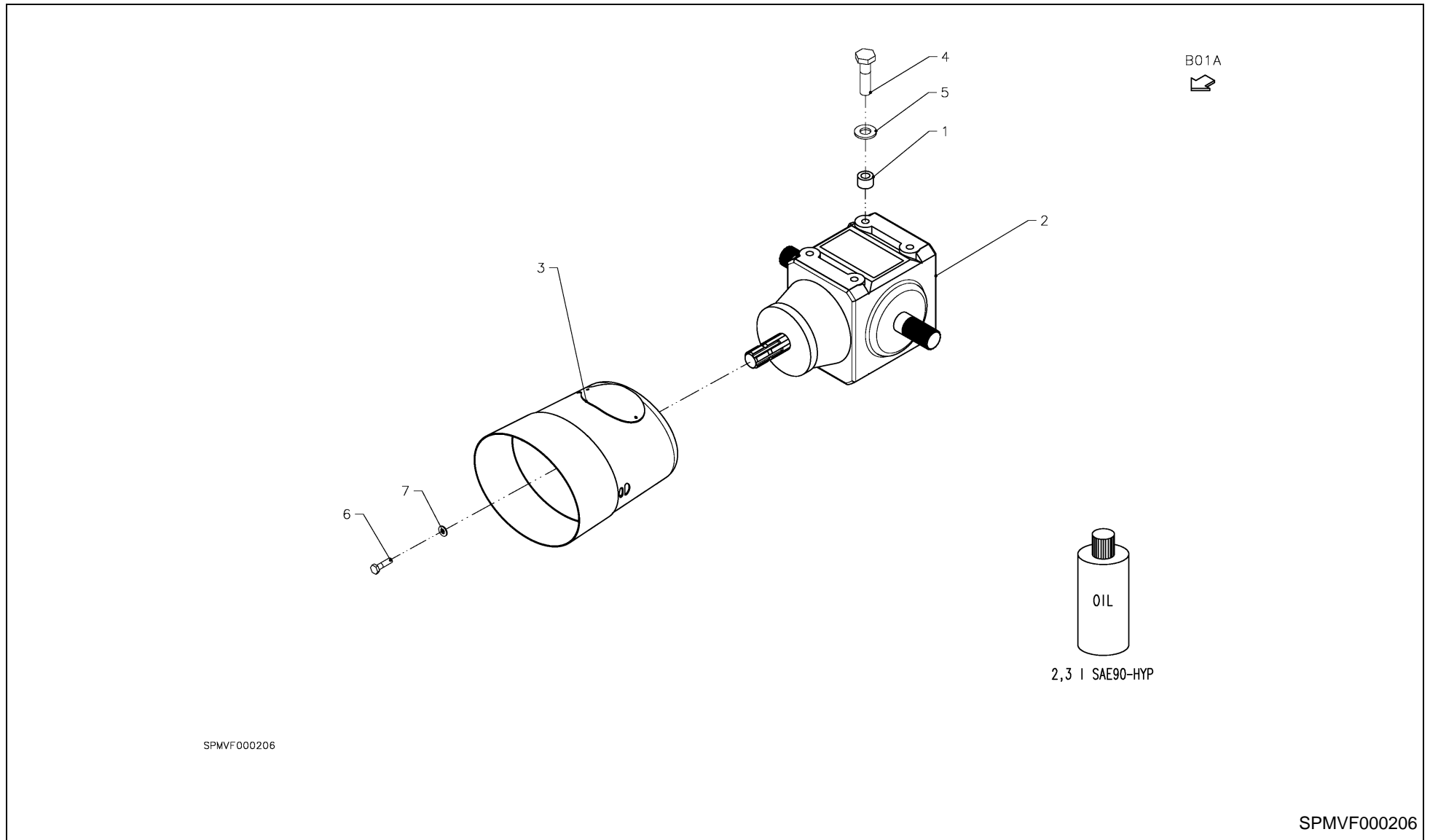
02WR01-3-01



RF 125 R / OC14 / gear box

PosNo.	Part No.	Qty.	Description	Remark
1	VG AH00132		SHIM SET	
2	VGG S0089		SHIM SET	
3	KG00160200	3	RADIAL SHAFT SEAL - AS 40X80X10	
4	KG00471761	4	HEX. SCREW M8X16 8.8	
5	KG00474261	8	HEX. SCREW M10X25 8.8	
6	KG00480161	6	HEX. SCREW M16X35 8.8	
7	KG01081800	1	CASTLE NUT M30X1.5 8	
8	KG01119100	2	CIRCLIP-B 80 X 4	
9	KG01252061	1	SPLIT PIN 4X50 ST	
10	KG01282061	6	SPRING WASHER M16	
11	KG01382800	1	BALL BEARING 6208	
12	KG01799800	2	TAPER ROLLER BEARING 30208	
13	KG01800100	1	TAPER ROLLER BEARING 30308	
14	VG MT00310	1	SHIM SET S-X30.2X38	
15	VG ND92092V	3	PLUG	
16	VG ND92093V	1	BREATHER	
17	VG ND92155V	1	PLUG, MAGNETIC	
18	VG ND9824		OMALA 100 SHELL(OLIE/LTR.BULK)	
19	VG WA00154	1	GEARBOX ASSY	
20	VG WA1809	1	COVER, PLASTIC	
21	VG WA662V	1	PLATE, SHIM	
22	VG WA734	1	AXLE	
23	VG WA735	1	WHEEL, TOOTHED	
24	VG WA736	1	GEARBOX	
25	VG WA737	1	LID	
26	VG WA738	1	AXLE	
27	VG WA739	1	WHEEL, TOOTHED	

RF 125 R / OC14 / gear box with accessoires



SPMVF000206

SPMVF000206

RF 125 R / OC14 / gear box with accessoires

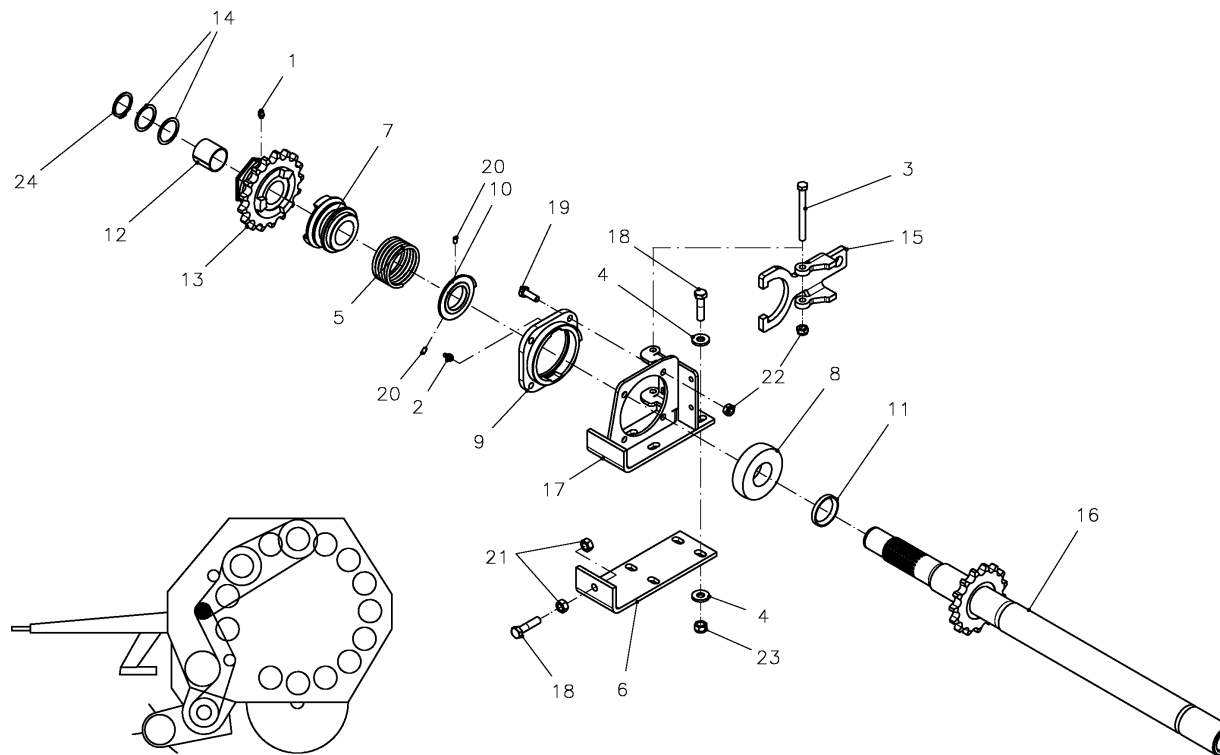


PosNo.	Part No.	Qty.	Description	Remark
1	VF06575227	1	SPACER RING	
2	VGWA00154	1	GEARBOX ASSY	
3	VGND94053	1	GUARD CONE	
4	VF01177888	4	HEX.BOLT	
5	VGND9475	4	WASHER, BELLEVILLE	
6	KG00471961	4	HEX. SCREW M8X20 8.8	
7	VF06214246	4	WASHER	

RF 125 R / OC14 / drive shaft



B03A



SPMVF000236

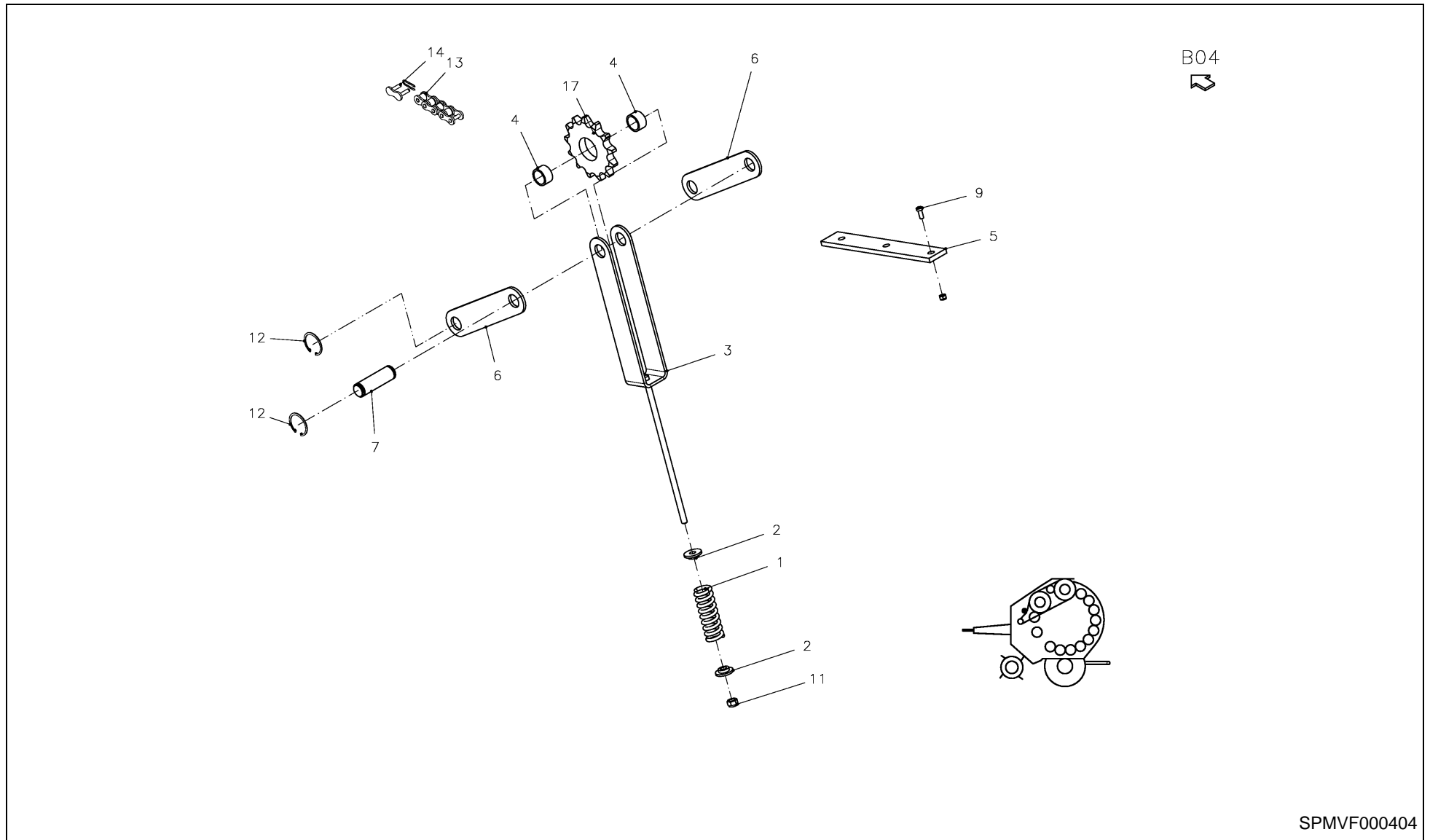
SPMVF000236



RF 125 R / OC14 / drive shaft

PosNo.	Part No.	Qty.	Description	Remark
1	VGND9813V	1	GREASE NIPPLE	
2	VF01120694	1	GREASE NIPPLE	
3	KG00356461	1	HEX. BOLT M10X110 8.8	
4	VGTH100V	8	RING	
5	VF06215408	1	COMPRESSION SPRING	
6	VF16613771.86	1	ANGLED PLATE	
7	VF16613777.86	1	SLIDING DOG	
8	VF16614109	1	BALL BEARING	
9	VF16614253.86	1	BEARING RACE	
10	VF16614279	1	WASHER	
11	VF16616328	1	BEARING RACE	
12	VF16618198	1	BUSH	
13	VF16619984	1	CHAIN WHEEL	
14	VF06214493	2	SPACER	
15	VF16654189.86	1	LEVER/ARM	
16	VF16655452.86	1	ANTRIEBSWELLE GSW.	
17	VF16655457.86	1	LAGERUNG GSW.	
18	KG00357561	5	HEX. BOLT M12X50 8.8	
19	KG00474361	4	HEX. SCREW M10X30 8.8	
20	KG00917600	2	SET SCREW M6X12 45H	
21	KG01052161	2	HEX. NUT M12 8	
22	KG01067661	5	LOCK NUT M10 8	
23	KG01067761	4	LOCK NUT M12 8	
24	KG01109800	1	CIRCLIP-A 40 X 1.75	

RF 125 R / OC14 / tensioner for main driving chain

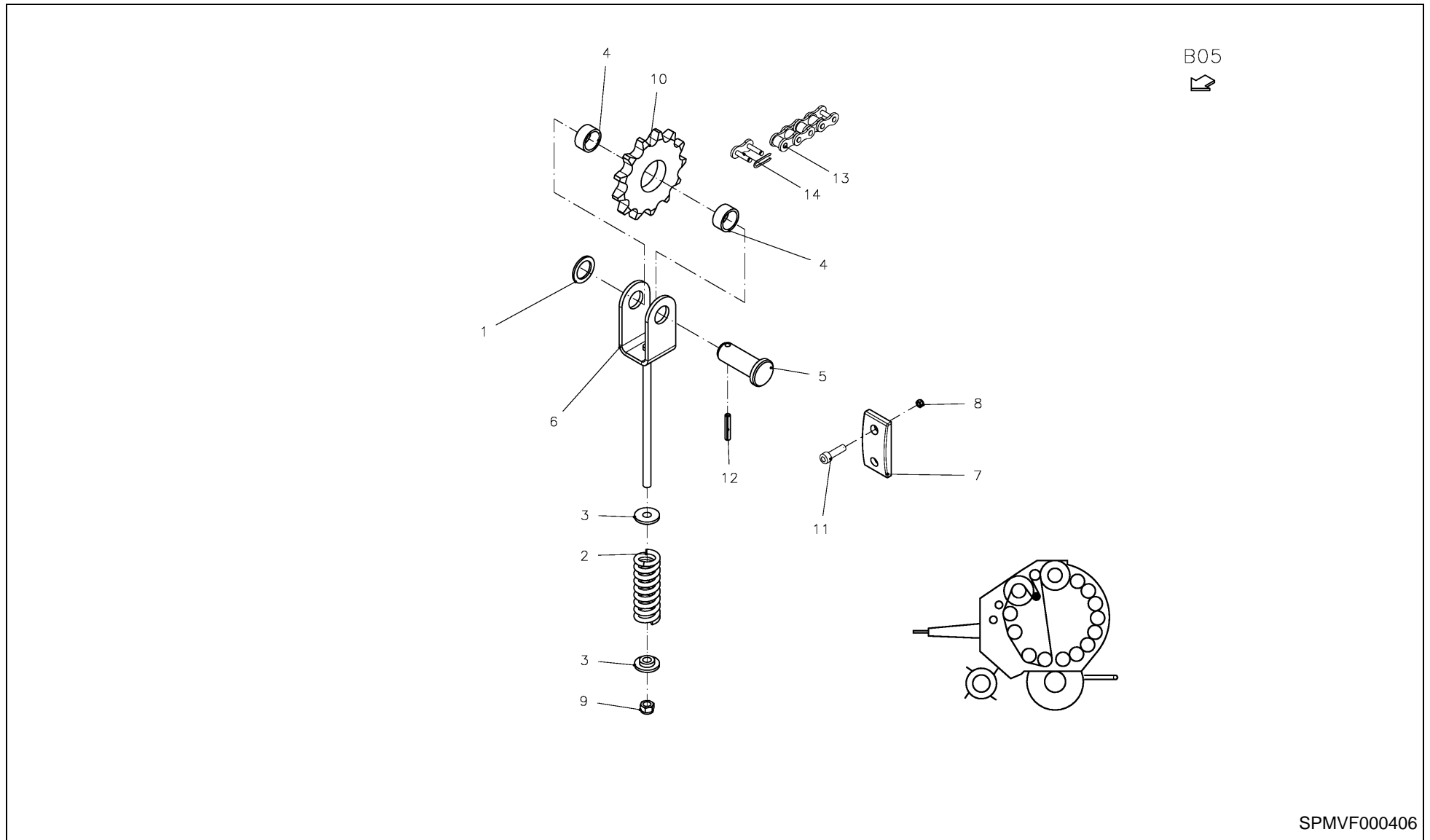




RF 125 R / OC14 / tensioner for main driving chain

PosNo.	Part No.	Qty.	Description	Remark
1	VF06215432	1	COMPRESSION SPRING	
2	VF06550817	2	SPRING CUP	
3	VF16614799.86	1	CHAIN TENSIONER	
4	VF16614872	2	SPACER TUBE	
5	VF16615252	1	RAIL	
6	VF16617728.86	2	SUPPORT	
6	VF16617728.86	2	SUPPORT	
7	VF16617729	1	SHAFT	
9	KG00598961	3	CHEESE HEAD SCREW M8X20 8.8	
11	KG01068961	1	LOCK NUT M12 10	
12	KG01108862	8	CIRCLIP-A 30 X 1.5	
13	VF16616519	1	CHAIN 16B-1X152 DIN8187	
14	VGND9295	1	LINK, SIMPL.	
17	VF06554382.86	1	CHAIN WHEEL	

RF 125 R / OC14 / tensioner for chain in front

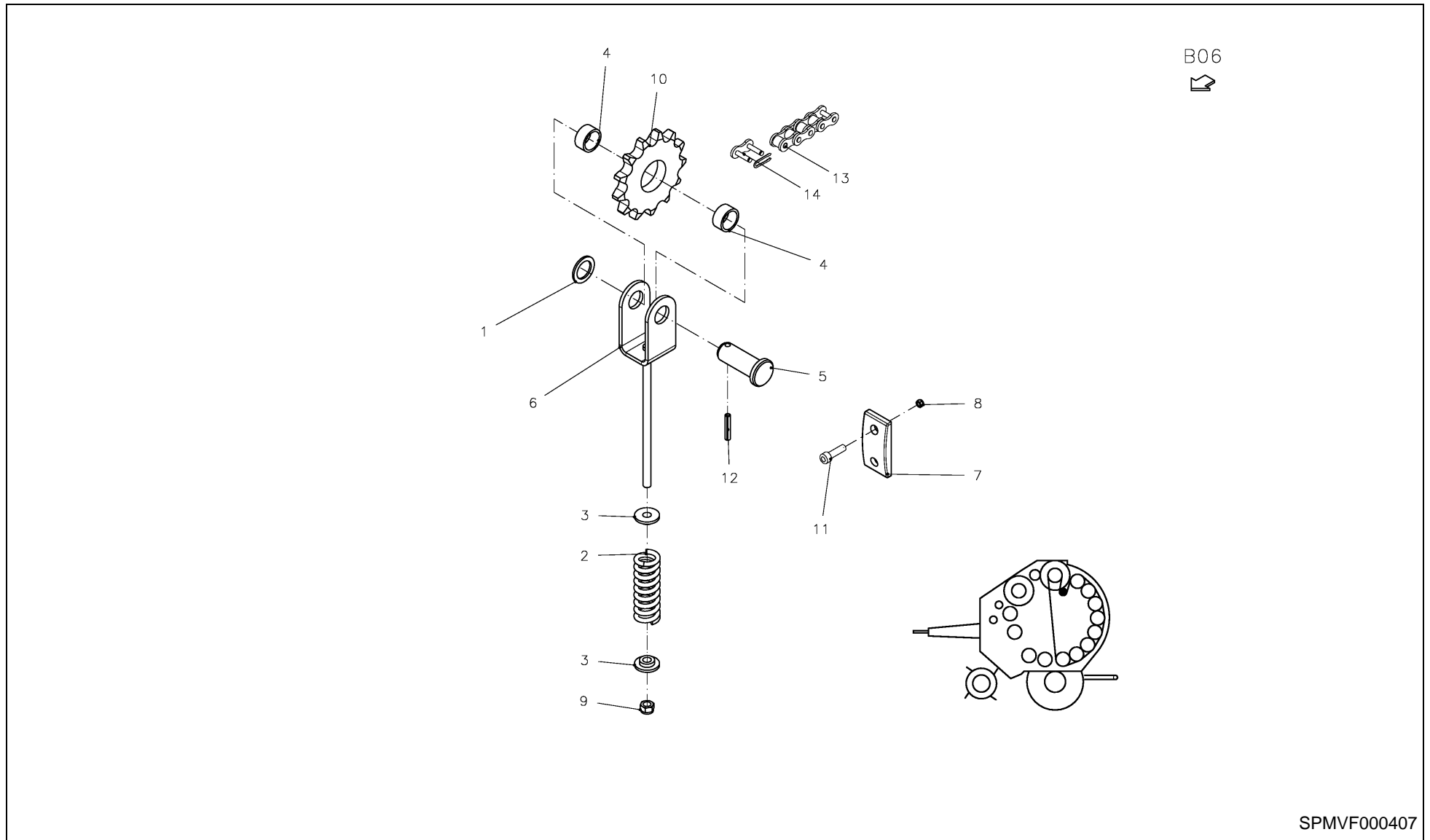


RF 125 R / OC14 / tensioner for chain in front



PosNo.	Part No.	Qty.	Description	Remark
1	VF06214321	1	WASHER	
2	VF06215432	1	COMPRESSION SPRING	
3	VF06550817	2	SPRING CUP	
4	VF16614124	2	SPACER TUBE	
5	VF16654530	1	PIN	
6	VF16614227.86	1	TENSIONER CHAIN	
7	VF16617738	2	SLIDING PAD	
8	KG01067361	4	LOCK NUT M6 8	
9	KG01068961	1	LOCK NUT M12 10	
10	VF06554382.86	1	CHAIN WHEEL	
11	VF16618794	4	SCREW	
12	KG01191962	1	TENSION PIN 8X45	
13	VF16616517	1	CHAIN 16B-1X168E DIN8187	
14	VGND9295	1	LINK, SIMPL.	

RF 125 R / OC14 / tensioner for chain back

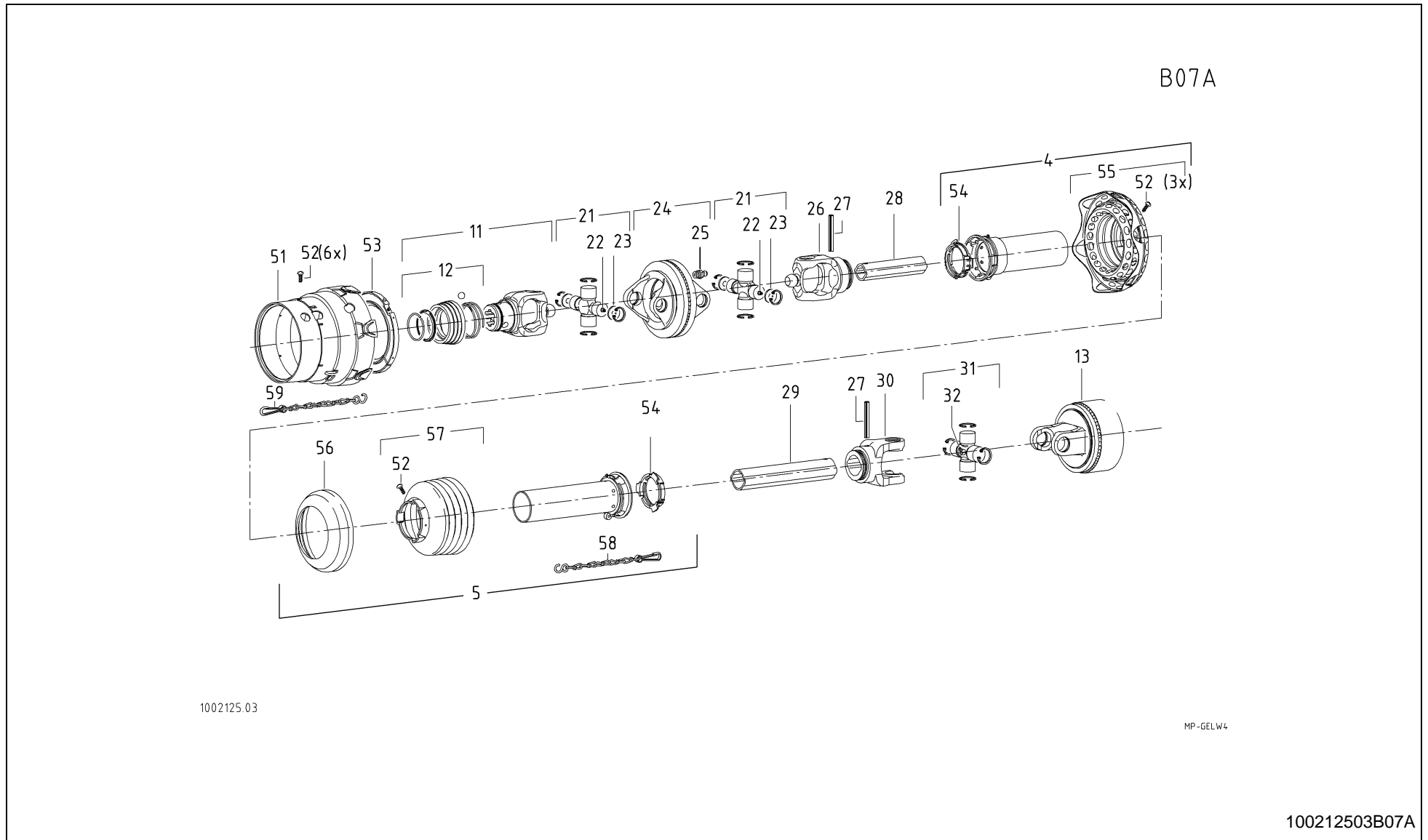


RF 125 R / OC14 / tensioner for chain back



PosNo.	Part No.	Qty.	Description	Remark
1	VF06214321	1	WASHER	
2	VF06215432	1	COMPRESSION SPRING	
3	VF06550817	2	SPRING CUP	
4	VF16614124	2	SPACER TUBE	
5	VF16654530	1	PIN	
6	VF16614227.86	1	TENSIONER CHAIN	
7	VF16617738	2	SLIDING PAD	
8	KG01067361	4	LOCK NUT M6 8	
9	KG01068961	1	LOCK NUT M12 10	
10	VF06554382.86	1	CHAIN WHEEL	
11	VF16618794	4	SCREW	
12	KG01191962	1	TENSION PIN 8X45	
13	VF16616517	1	CHAIN 16B-1X168E DIN8187	
14	VGND9295	1	LINK, SIMPL.	

RF 125 R / OC14 / Universal prop shaft with coupling



1002125.03

MP-GELW4

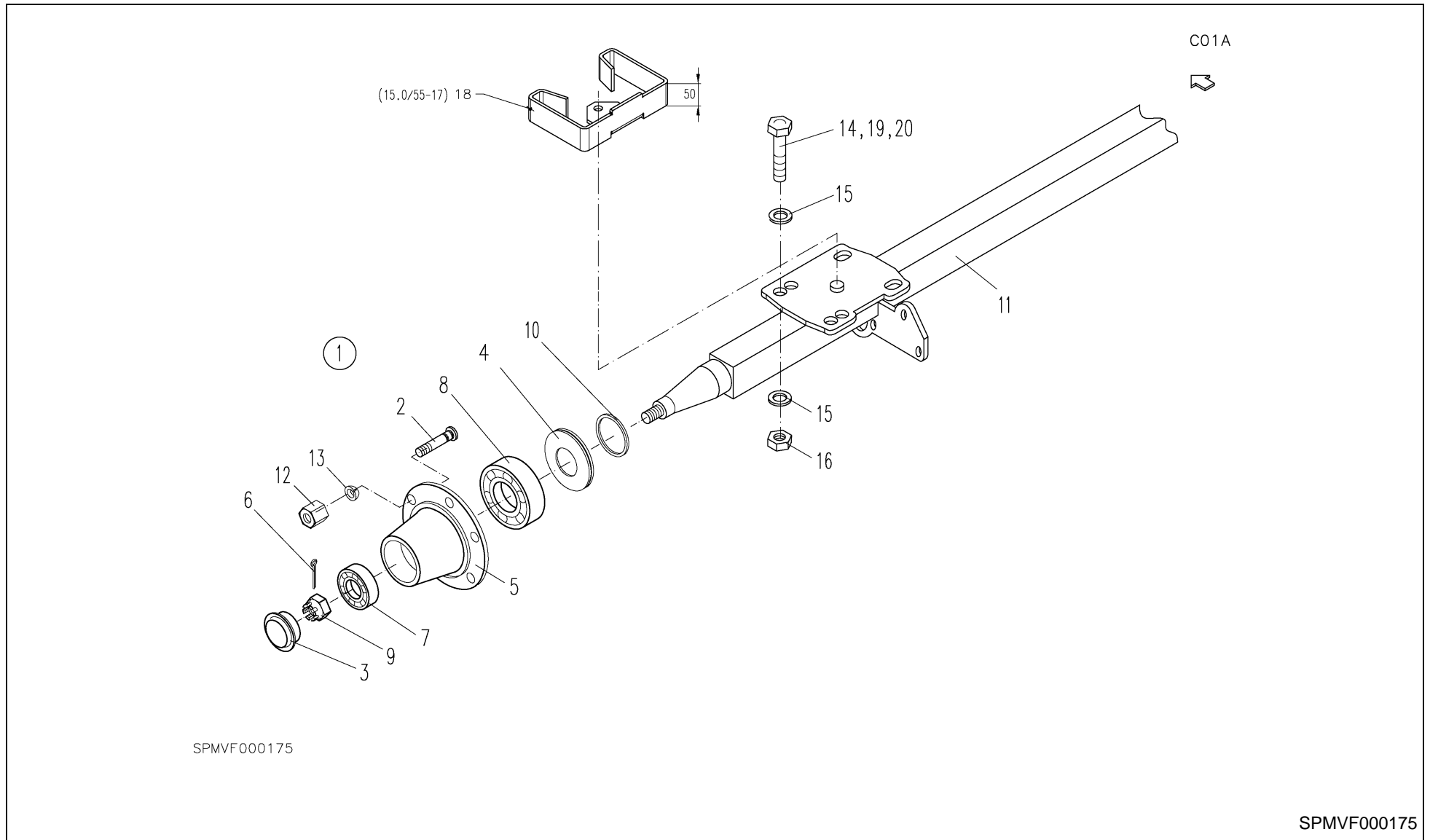
100212503B07A



RF 125 R / OC14 / Universal prop shaft with coupling

PosNo.	Part No.	Qty.	Description	Remark
1	VF16617420	1	UNIVERSAL PROP SHAFT	
5	VF16616073	1	INNER PROTECT.TUBE	
11	VF16625121	1	FLANGED FORK	
12	VF16625102	1	LOCK	
13	VF16625125	1	CAM CLUTCH	
21	VF16625122	2	JOINT CROSS 2480	
22	VGND9004V	3	GREASE NIPPLE M6X180 DEGR	
23	VF16500120	4	PLATE	
24	VF06586755	1	DOUBLE YOKE	
25	VGND9813V	1	GREASE NIPPLE	
26	VF16625123	1	FORK	
27	KG01194562	2	TENSION PIN 10X80	
28	VF16616005	1	PROFILED TUBE	Kürzen/Cut 1080
29	VF16616006	1	PROFILED TUBE	Kürzen/Cut 1065
30	VF06582181	1	FORK	
31	VF06582182	1	JOINT CROSS	
32	VG63.27.00	1	SMEERNIPPEL BM8X1	
51	VG85.01.02	1	GUARD	
52	KG00743163	8	TAPPING SCREW 4.2X9.5 4.8	
53	VF16513616	1	SLIDING RING	
54	VF06581954	2	RING	
56	VG82.85.00	1	RING, STEUN-	
57	VF16513636	1	GUARD	
58	VG82.36.03	1	KETTING, BORG- L=400	
59	VG82.36.08	1	KETTING, BORG- L=600	

RF 125 R / OC14 / wheel axle

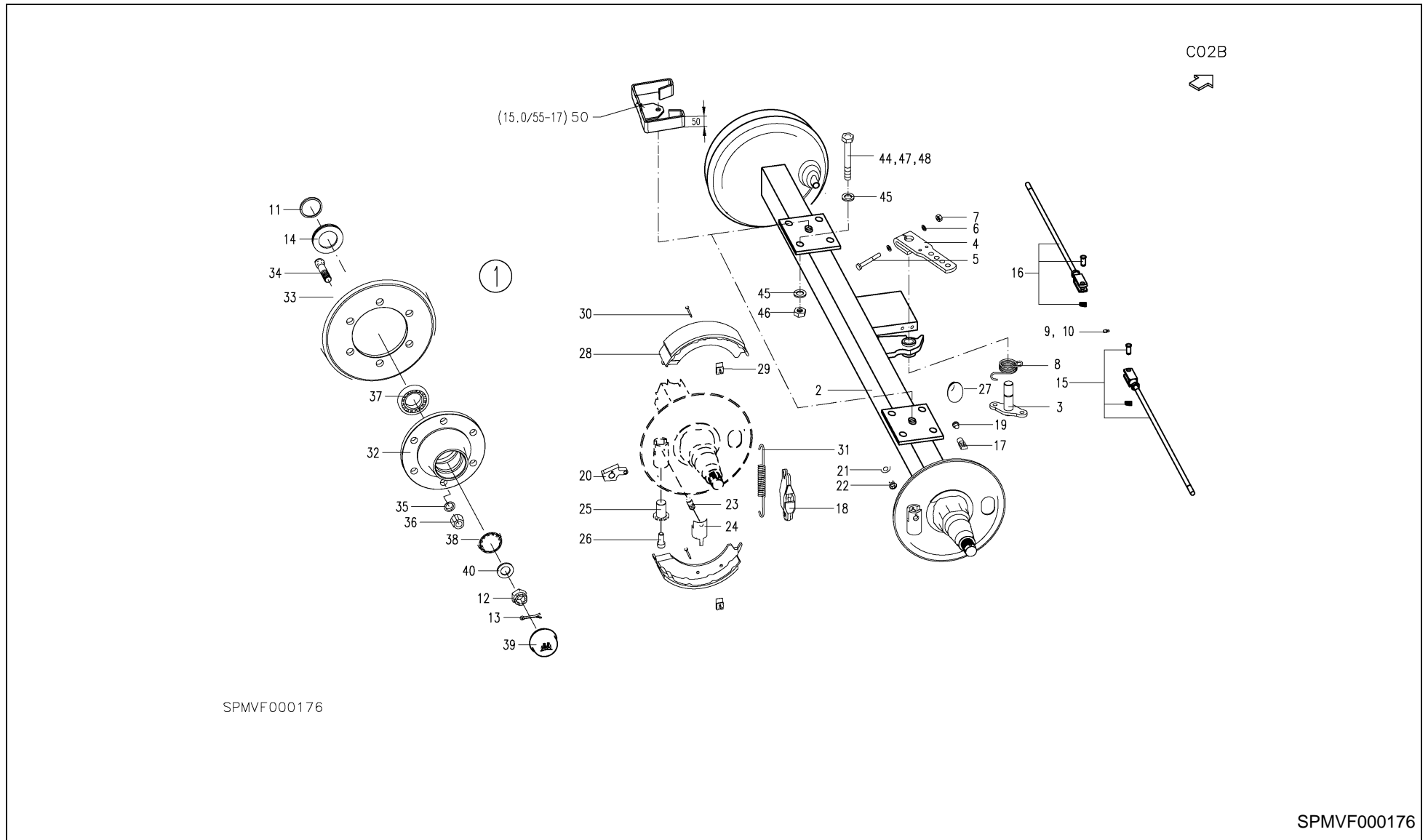




RF 125 R / OC14 / wheel axle

PosNo.	Part No.	Qty.	Description	Remark
1	VF16653236	1	AXLE/PIVOT PIN	
2	VF16614444	12	PIN	
3	VF16612405	2	WHEEL CAP	
4	VF16618668	2	SEAL RING	
5	VF16617329.86	2	WHEEL HUB	
6	KG01252961	2	SPLIT PIN 5X45 ST	
7	KG01799200	2	TAPER ROLLER BEARING 32207	
8	KG01802600	2	TAPER ROLLER BEARING 32211	
9	KG01083061	2	CASTLE NUT M27X1.5 4	
10	VF16618669	2	RING	
11	VF16618667	1	AXLE SUPPORT	
12	VF16618670	12	WHEEL NUT	
13	VF01121808	12	SPRING LOCKWASHER	
14	KG00480461	8	HEX. SCREW M16X50 8.8	
15	KG01267761	16	WASHER M16	
16	KG01067961	8	LOCK NUT M16 8	
18	VF16654619.86	2	AXLE LIFTING 50 MM	
19	KG00363361	8	HEX. BOLT M16X160 8.8	
20	KG00362861	8	HEX. BOLT M16X110 8.8	

RF 125 R / OC14 / brake axle



SPMVF000176

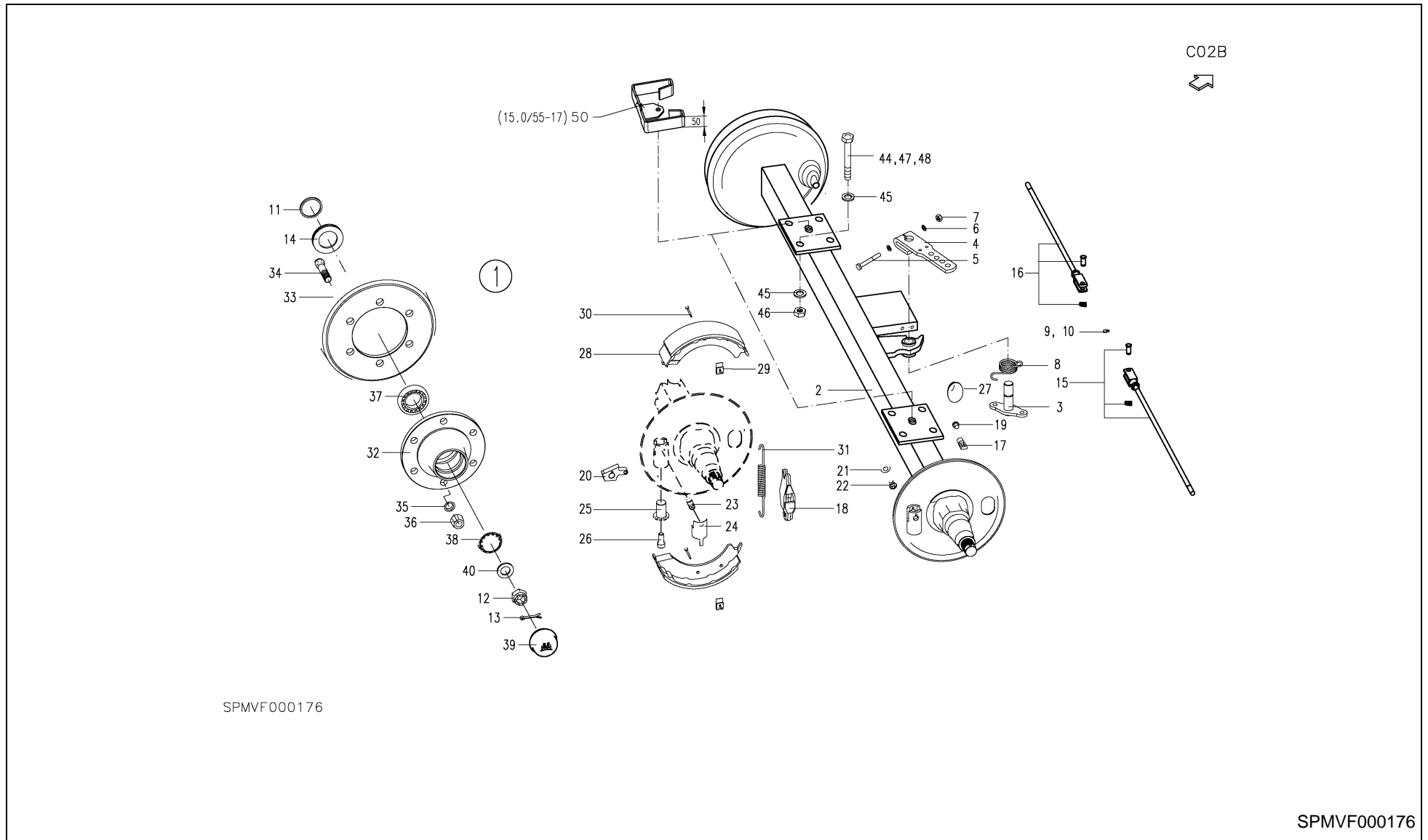
SPMVF000176



RF 125 R / OC14 / brake axle

PosNo.	Part No.	Qty.	Description	Remark
1	VF16653237	1	BRAKE AXLE	
2	VF16653702.86	1	AXLE SUPPORT	
3	VF16612429.86	1	LEVER/ARM	
4	VF16653085.86	1	BRAKE LEVER	
5	KG00355861	1	HEX. BOLT M10X70 8.8	
6	KG01267461	2	WASHER M10	
7	KG01067661	1	LOCK NUT M10 8	
8	VF16618674	1	SPRING	
9	VF16602619	1	GREASE NIPPLE	
10	VF16618675	1	PLUG	
11	VF16618676	2	RING	
12	KG01083061	2	CASTLE NUT M27X1.5 4	
13	KG01252961	2	SPLIT PIN 5X45 ST	
14	VF16618668	2	SEAL RING	
15	VF16618677	1	PULL ROD	
16	VF16618678	1	PULL ROD	
17	VF16618679	2	YOKE	
18	VF16618680	2	LOCK EXPANDED	
19	VF16618681	4	PLUG	
20	VF16618682	2	PART	
21	VF16618683	2	FUSE	
22	VF16618684	2	ADJUSTING BOLT	
23	VF16618685	2	PIN	
24	VF16618686	2	CLAMP	
25	VF16618687	2	ADJUSTING NUT	
26	VF16618688	2	SCREW/BOLT	
27	VF16618689	2	CONNECTING SLEEVE	
28	VF16618690	4	BRAKE SHOE	
29	VF16618691	4	TENSION SPRING	
30	VF16618692	4	DOWEL PIN	
31	VF16618693	2	TENSION-SPRING	
32	VF16617329.86	2	WHEEL HUB	
33	VF16618694	2	BRAKE DRUM	
34	VF16612402	12	WHEEL STUD	
35	VF01121808	12	SPRING LOCKWASHER	
36	VF01121797	12	FLAT-COLLAR NUT	
37	KG01802600	2	TAPER ROLLER BEARING 32211	
38	KG01799200	2	TAPER ROLLER BEARING 32207	
39	VF16612405	2	WHEEL CAP	
40	VF01137526	2	WASHER	

RF 125 R / OC14 / brake axle



SPMVF000176

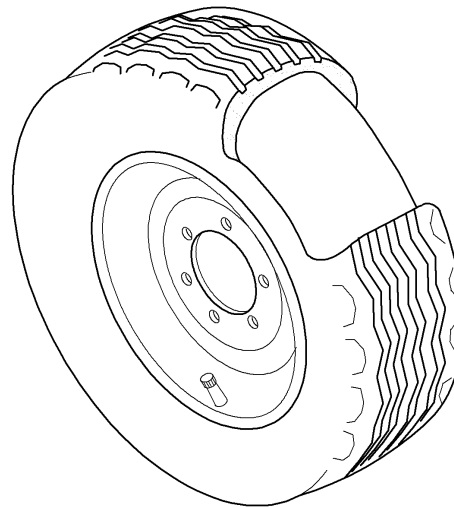
SPMVF000176



RF 125 R / OC14 / brake axle

PosNo.	Part No.	Qty.	Description	Remark
44	KG00338861	8	HEX. BOLT M16X60 10.9	
45	KG01267761	16	WASHER M16	
46	KG01067961	5	LOCK NUT M16 8	
47	KG00363361	8	HEX. BOLT M16X160 8.8	
48	KG00362861	8	HEX. BOLT M16X110 8.8	
50	VF16654619.86	2	AXLE LIFTING 50 MM	

C03



1.002251.02

MP-REIF

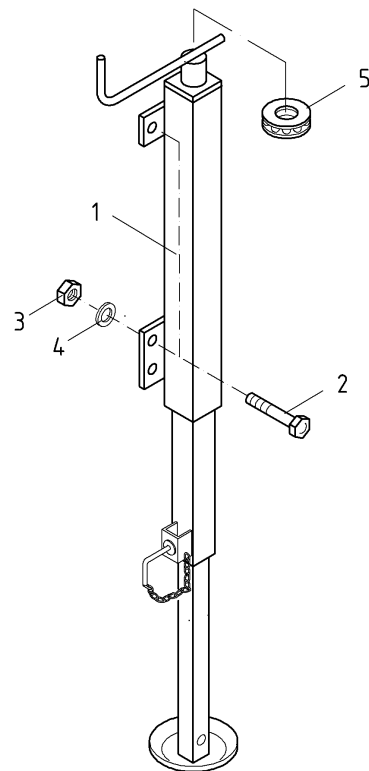
100225102C03



RF 125 R / OC14 / outer cover

PosNo.	Part No.	Qty.	Description	Remark
1	VGND97026	2	WHEEL, CPL.	
1.1	VG38722004	2	TYRE 15.0/55-17 10PR	
1.2	VGND97027	2	RIM 13.00X17	
1.3	VG38723002	2	AIR CHAMBER	
2	VF16615269	2	WHEEL 11.5/80-15,3 AW 10 PR ETO	
2.1	VF01139266	2	OUTER COVER	
2.2	VGND97021	2	6-GATS VELG 9.00X15.3	
2.3	VG38723002	2	AIR CHAMBER	
3	VF16615268	2	WHEEL 19.0/45-17 AW 10 PR	
3.1	VF01142334	2	TYRE 19,0/45-17IMP 10PR	
3.2	VF16616018	2	RIM 16,00X17 ET-70	
3.3	VF01142668	2	HOSE 19,0/45-17 TR15	
4	VF16615267	2	WHEEL 500/50-17 AW 10 PR	
4.1	VF01397606	2	TYRE 500/50-17 10PR	
4.2	VF16616018	2	RIM 16,00X17 ET-70	
4.3	VF01142668	2	HOSE 19,0/45-17 TR15	
5	VF16616773	2	GEAR/WHEEL 15,0/55-17 AS 10 PR ETO	
5.1	VF16616770	2	OUTER COVER 15,0/55-17LMP 10 PR AS-FARME	
5.2	VGND97027	2	RIM 13.00X17	
5.3	VG38723002	2	AIR CHAMBER	

C04B



1.003075.00

MS-STFU

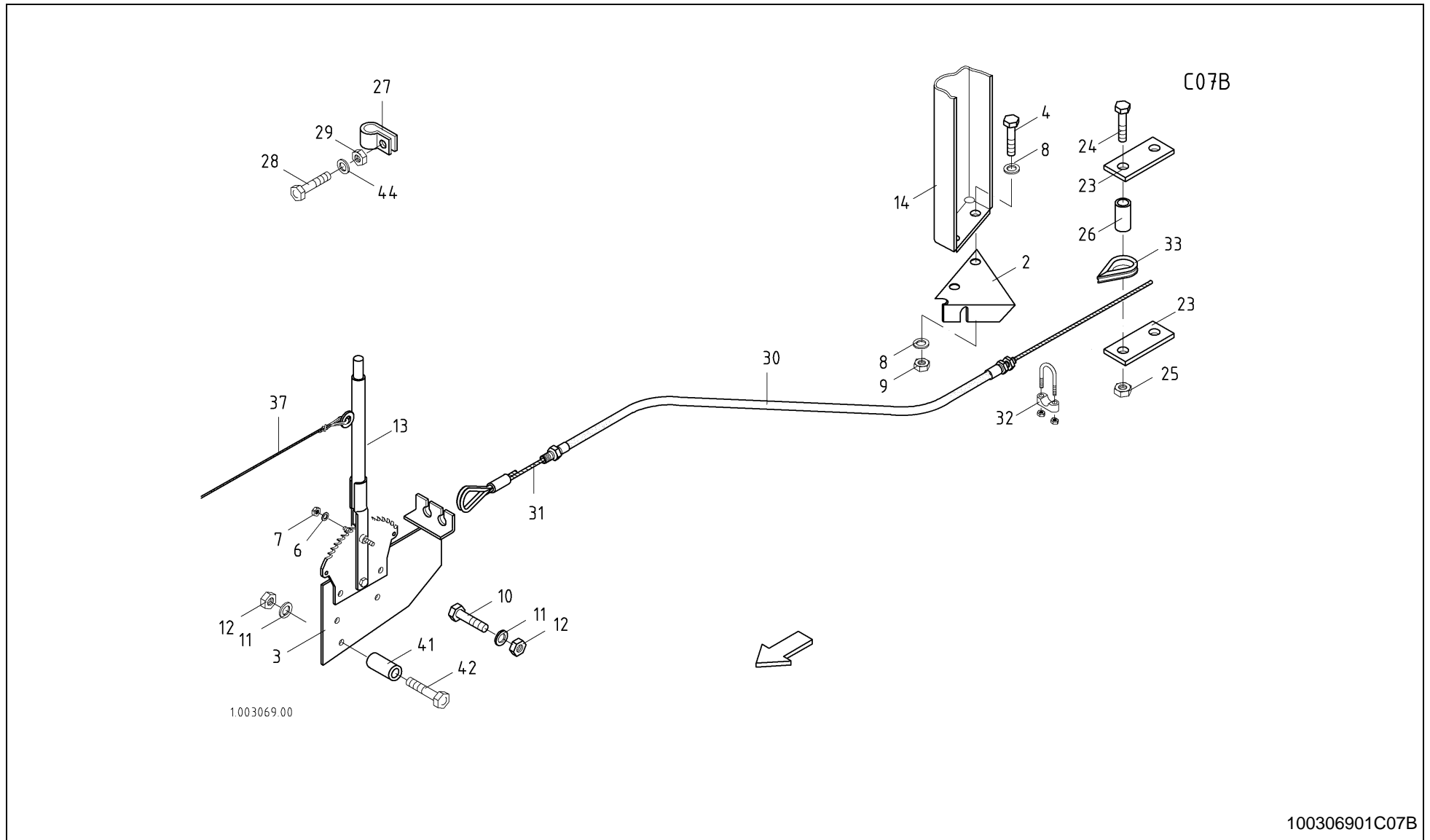
100307500C04B

RF 125 R / OC14 / support adjustable



PosNo.	Part No.	Qty.	Description	Remark
1	VF16617987	1	SUPPORT	
2	KG00474461	1	HEX. SCREW M10X35 8.8	
3	KG01067661	1	LOCK NUT M10 8	
4	KG01267461	1	WASHER M10	
5	KG01501100	1	THRUST BALL BEARING 51104	

RF 125 R / OC14 / parking brake for press air brake

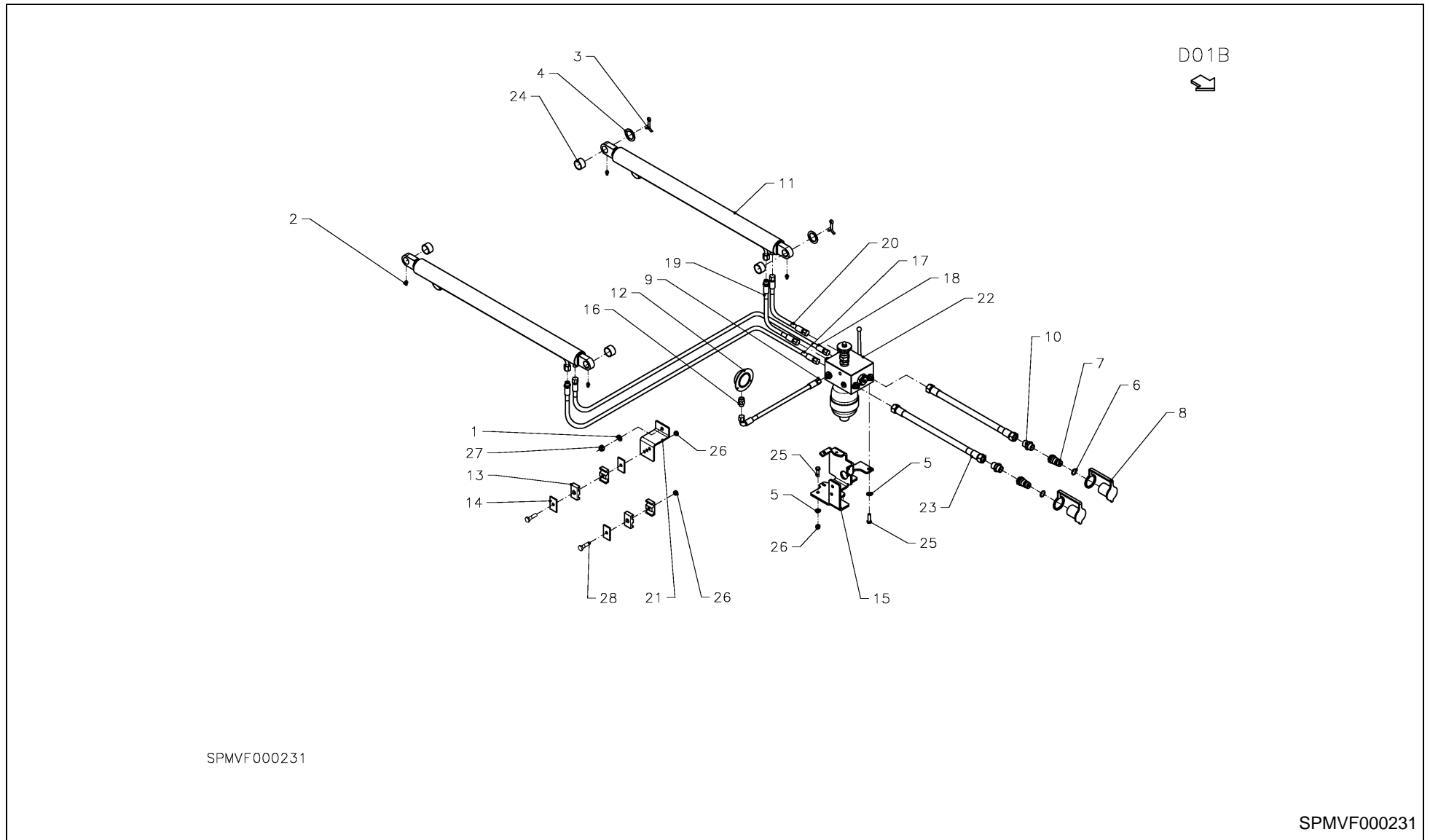




RF 125 R / OC14 / parking brake for press air brake

PosNo.	Part No.	Qty.	Description	Remark
2	VF16615831.86	1	RETAINER	
3	VF16650129.86	1	BASE PLATE	
4	KG00472261	2	HEX. SCREW M8X30 8.8	
4	KG00354261	2	HEX. BOLT M8X100 8.8	
6	VGND3030V	1	WASHER, PLAIN	
7	KG01067561	1	LOCK NUT M8 8	
8	VF06214246	4	WASHER	
9	VF01397863	2	HEX.NUT	
10	KG00474361	8	HEX. SCREW M10X30 8.8	
11	KG01267461	16	WASHER M10	
12	KG01052061	3	HEX. NUT M10 8	
13	VF16650192	1	HAND BRAKE LEVER	
14	VF16652035.86	1	WASHER/DISC/PLATE	
23	VF16516440	2	CONNECTING PLATE	
24	KG00355461	1	HEX. BOLT M10X50 8.8	
25	KG01067661	1	LOCK NUT M10 8	
26	VF16516441.61	1	SLEEVE, SPACING	
27	VF01211882	12	PIPE CLIP	
28	KG00468961	12	HEX. SCREW M6X20 8.8	
29	KG01067361	12	LOCK NUT M6 8	
30	VF16615962	1	CABLE HOSE	
31	VF16615963	1	BRAKE CABLE	
32	VF01136686	3	CLAMPING PIECE	
33	VF01139169	1	THIMBLE	
37	VF06560636	1	PULL ROPE	
41	VF16618154	2	TUBE	
42	KG00356361	2	HEX. BOLT M10X100 8.8	
44	KG01267261	12	WASHER M6	

RF 125 R / OC14 / hydraulic system rear part

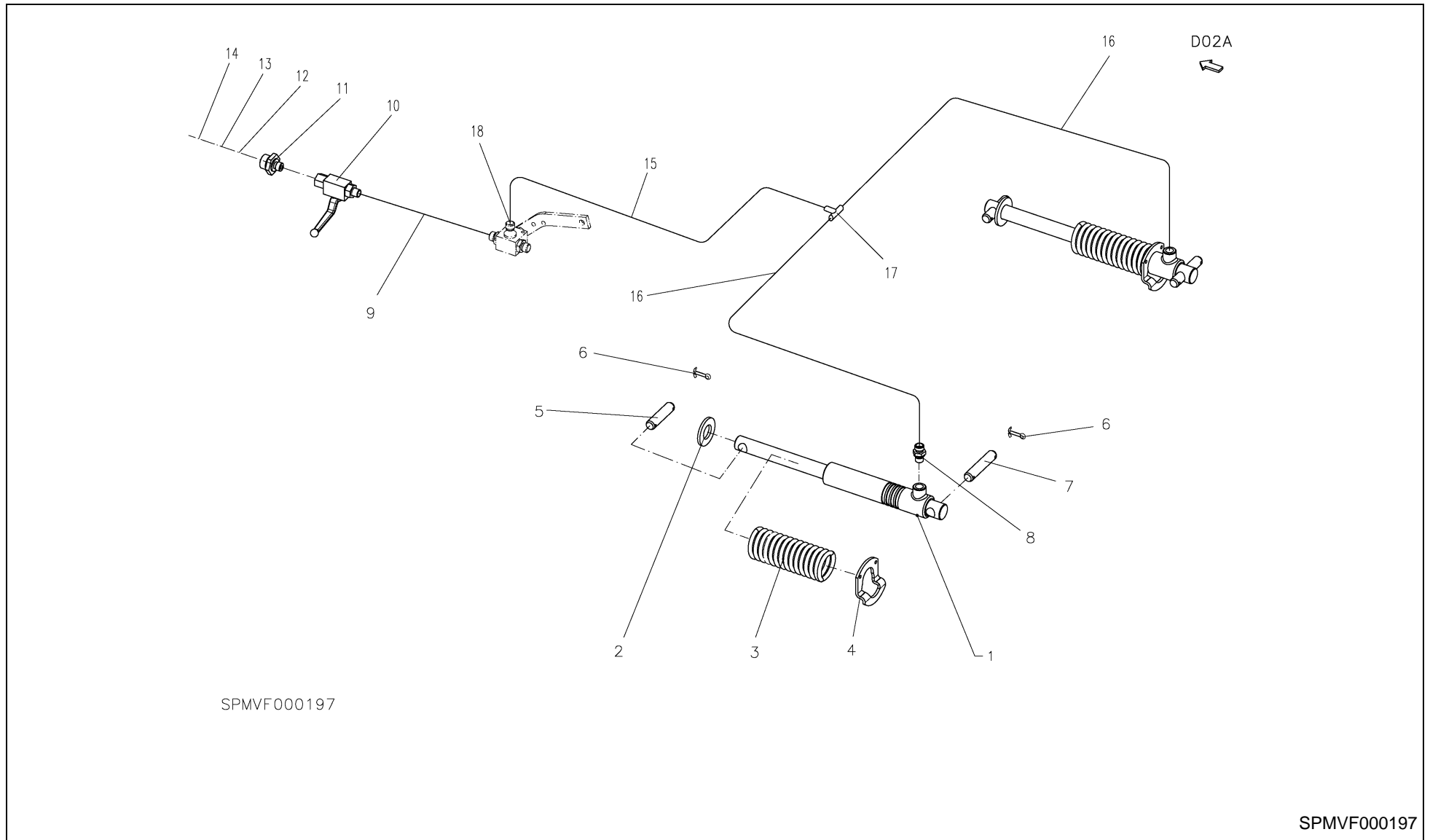




RF 125 R / OC14 / hydraulic system rear part

PosNo.	Part No.	Qty.	Description	Remark
1	KG01267461	2	WASHER M10	
2	VGND9813V	4	GREASE NIPPLE	
3	KG01253861	4	SPLIT PIN 6.3X45 ST	
4	VF06214234	4	WASHER	
5	VF06214246	5	WASHER	
6	VGND6230	2	O-RING	
7	VGND92031V	2	PLUG, QUICK-DISCONN.	
8	VGND9607	2	COVER, DUST	
9	VF16607410	1	HYDR. HOSE	
10	VF16610791	2	SCREW-IN NIPPLE	
11	VF16616393	2	HYDRAULIC CYLINDER	
12	VRR0305901	1	PRESSURE GAUGE	
13	VF16650133	8	PIPE CLIP	
15	VF16653045.86	1	SUPPORT	
16	VF16653142	1	PRESS.GAUGE CONNECT.	
17	VF16653185	1	HYDR.HOSE	
18	VF16653186	1	HYDR.HOSE	
19	VF16653195	1	HYDR.HOSE	
20	VF16653196	1	HYDR.HOSE	
21	VF16653666.86	2	SUPPORT	
22	VF16653690	1	HYDRAULIC LIFT UNIT	
23	VF16654333	2	HYDR.HOSE	
24	VF16654742	4	FRICTION BEARING	
25	KG00472261	5	HEX. SCREW M8X30 8.8	
26	KG01067561	6	LOCK NUT M8 8	
27	KG01068861	2	LOCK NUT M10 10	
28	VF06209185	8	HEX.HEAD SCHREW	

RF 125 R / OC14 / hydraulic system pick-up

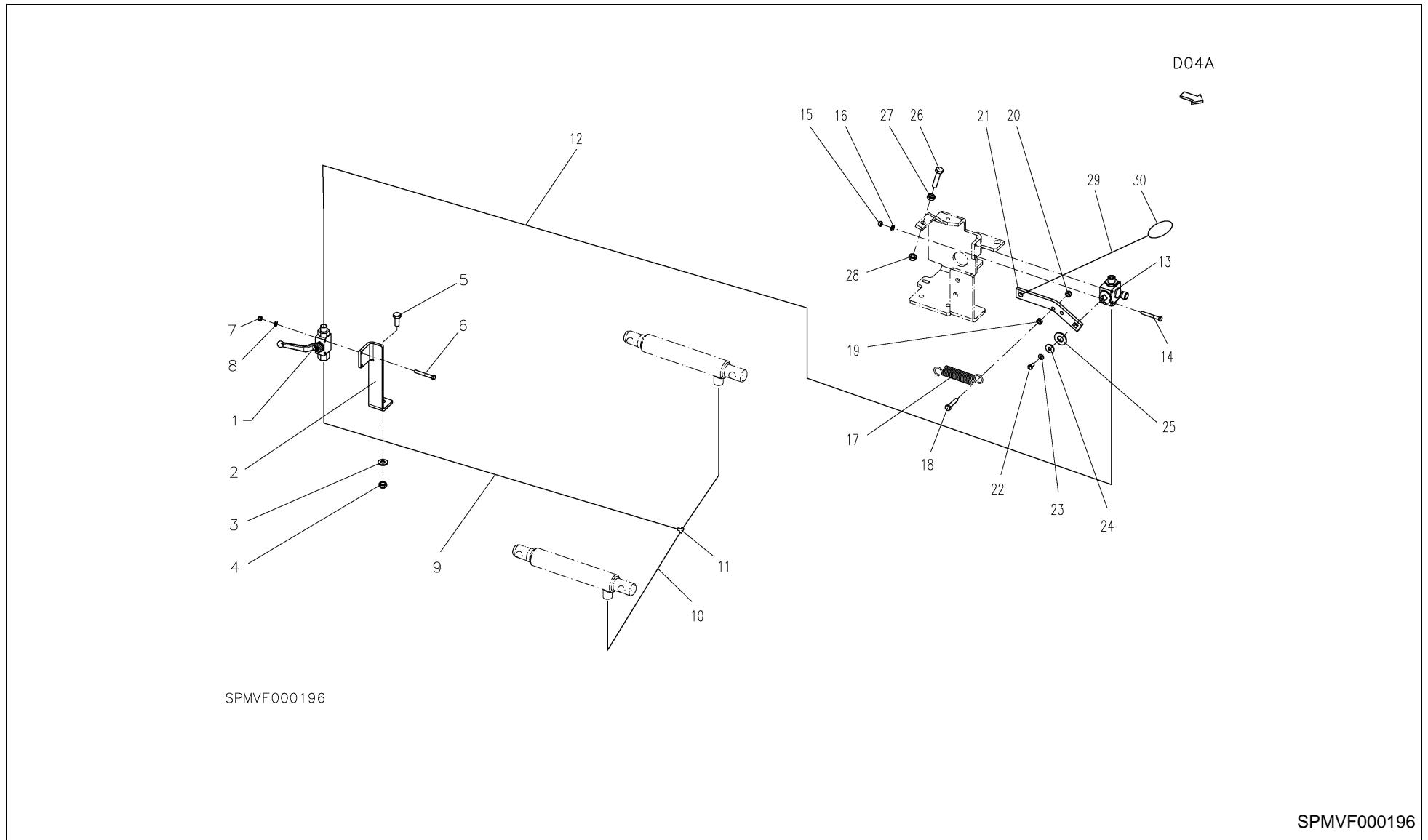




RF 125 R / OC14 / hydraulic system pick-up

PosNo.	Part No.	Qty.	Description	Remark
1	VF16652343	2	HYDRAULIC CYLINDER	
2	VF06214411	2	WASHER	
3	VF06215425	2	COMPRESSION SPRING	
4	VF16618323	2	CLIP	
5	VF16652834	2	PIN	
6	KG01251561	8	SPLIT PIN 4X25 ST	
7	VF06576501	2	PIN	
8	VF01116679	2	ERMETO NIPPLE	
9	VF16615442	1	HYDR. HOSE	
10	VF16607782	1	ROOSTER	
11	VF06582525	2	REDUCING SLEEVE	
12	VGND9607	2	COVER, DUST	
13	VGND6230	2	O-RING	
14	VGND92031V	2	PLUG, QUICK-DISCONN.	
15	VF06589025	1	HYDR.HOSE	
16	VF16600374	2	HYDR.HOSE	
17	VGND92043V	1	T-COUPLING	
18	VF06581181	1	SCREEN	

RF 125 R / OC14 / hydraulic system cutting device

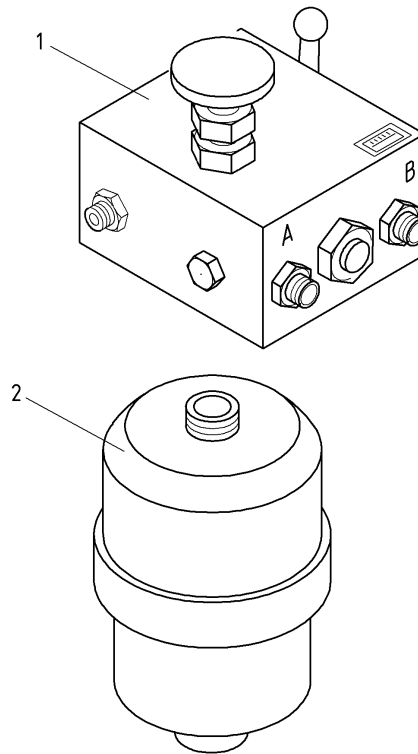


RF 125 R / OC14 / hydraulic system cutting device



PosNo.	Part No.	Qty.	Description	Remark
1	VF16653632	1	ROOSTER	
2	VF16653629.86	1	ANGLE SUPPORT	
3	VF06214246	2	WASHER	
4	KG01067561	1	LOCK NUT M8 8	
5	KG00471961	1	HEX. SCREW M8X20 8.8	
6	KG00466461	2	HEX. SCREW M4X30 8.8	
7	KG01067161	2	LOCK NUT M4 8	
8	KG01267061	2	WASHER M4	
9	VF16615731	1	HYDR. HOSE	
10	VF16615878	1	HYDR.PIPE	
11	VF01173543	1	SOCKET/ADAPTER	
12	VF16651376	1	HYDR. HOSE	
13	VF16617533	1	CONTROL UNIT/ROOSTER	
14	KG00350161	2	HEX. BOLT M5X40 8.8	
15	KG01067261	2	ZELFB.MOER M5/8 VERZ. NYLOC	
16	VF01138092	2	WASHER/DISC/PLATE	
17	VF16617679	1	DRAW SPRING	
18	KG00469261	1	HEX. SCREW M6X30 8.8	
19	KG01051761	1	HEX. NUT M6 8	
20	KG01067361	1	LOCK NUT M6 8	
21	VF16617661	1	LEVER	
22	KG00467061	1	HEX. SCREW M5X10 8.8	
23	VF01138092	1	WASHER/DISC/PLATE	
24	VGND3034V	1	WASHER, PLAIN 24/6MM	
25	VF06214269	2	WASHER	
26	KG00472461	1	HEX. SCREW M8X40 8.8	
27	KG01051961	1	HEX. NUT M8 8	
28	KG01067561	1	LOCK NUT M8 8	
29	VF06231049	1	PULL ROPE	
30	VF06246598	1	JNSULATING HOSE	

D05A



1.003074.00

M5-HYBL1

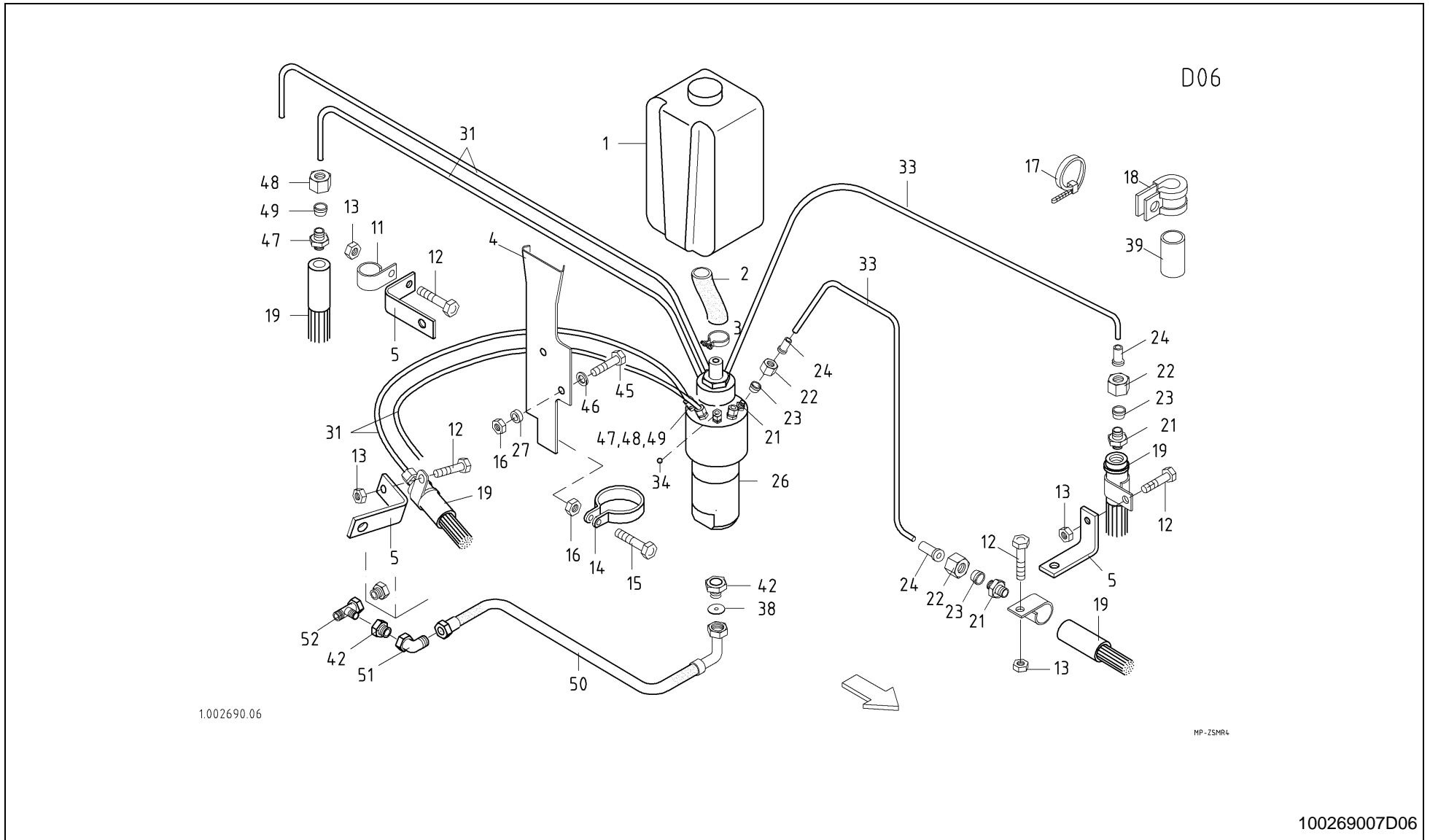
100307400D05A



RF 125 R / OC14 / hydraulic lift unit

PosNo.	Part No.	Qty.	Description	Remark
1	VF16653690	1	HYDRAULIC LIFT UNIT	Fa. Hydac
1	VF16655067	1	REPAIR SET	
2	VF16655069	1	ACCUMULATOR 120 BAR	
2	VF16616950	1	MEMBRANE RESERVOIR 70BAR 0.32L	OPTION
2	VF16655917	1	ACCUMULATOR 100BAR	OPTION
2	VF16653689	1	ACCUMULATOR 140BAR 0,32L	OPTION

RF 125 R / OC14 / lube system

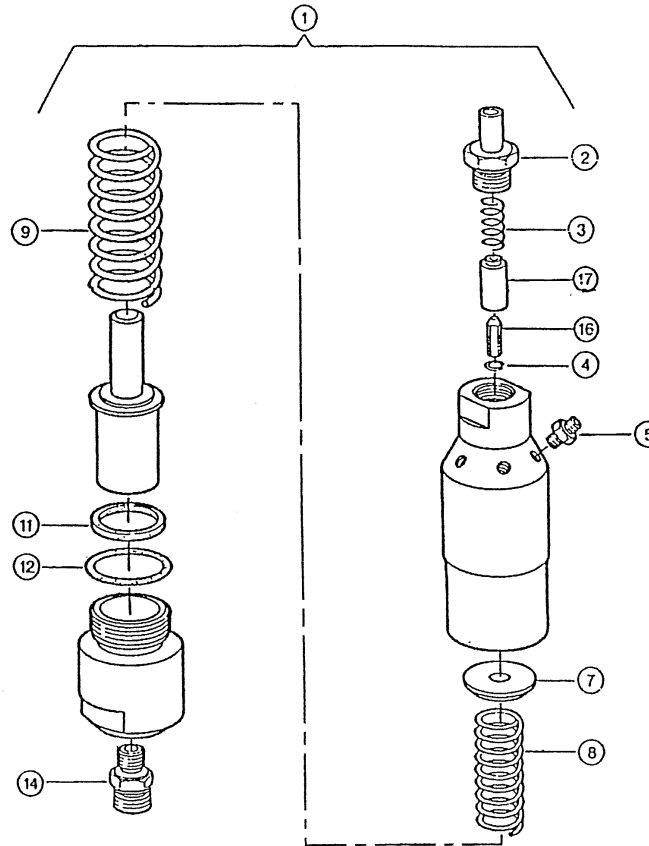




RF 125 R / OC14 / lube system

PosNo.	Part No.	Qty.	Description	Remark
1	VF16518836	1	TANK	
2	VF06554445	1	PIPE	
3	VF01128263	2	CLIP	
4	VF16615738.86	1	RETAINER	
5	VF16617549.86	4	RETAINER	
11	VF01211882	9	PIPE CLIP	
12	KG00468961	5	HEX. SCREW M6X20 8.8	
12	KG00469161	2	HEX. SCREW M6X25 8.8	
13	KG01067361	7	LOCK NUT M6 8	
14	VF16655836	1	PIPE CLIP	
15	KG00472261	1	HEX. SCREW M8X30 8.8	
16	KG01067561	3	LOCK NUT M8 8	
17	VF06216479	25	CABLE BINDER	
18	VF06216402	3	CLAMP	
19	VF06551690	7	BRUSH	
21	VF06216815	2	NIPPLE	B D07
22	VF06216773	9	CAP NUT	
23	VF01103117	6	CUTTING RING	
24	VF01177316	6	STIFFENING SLEEVE	
26	VF16619637	1	PUMP	B D07
27	VF06251807	2	TUBE	
31	VF16618206	4	POLYAMIDE TUBE	
33	VF16618207	3	POLYAMIDE TUBE	
34	VF01116946	1	BALL	
38	VF06581181	1	SCREEN	
40	VF16619624	1	PIPE CLIP	
42	VF01171247	2	REDUCING PIECE	
45	KG00353161	2	HEX. BOLT M8X35 8.8	
46	VGND3030V	4	WASHER, PLAIN	
47	VF01397933	8	SOCKET/ADAPTER	
48	VF01100982	8	UNION NUT	
49	VF01292484	8	SEALING	
50	VF16618202	1	HYDR.HOSE	
51	VGND9906V	1	ELBOW COUPLING, ADJUSTABLE	
52	VF16618209	1	THREADED UNION	

D07



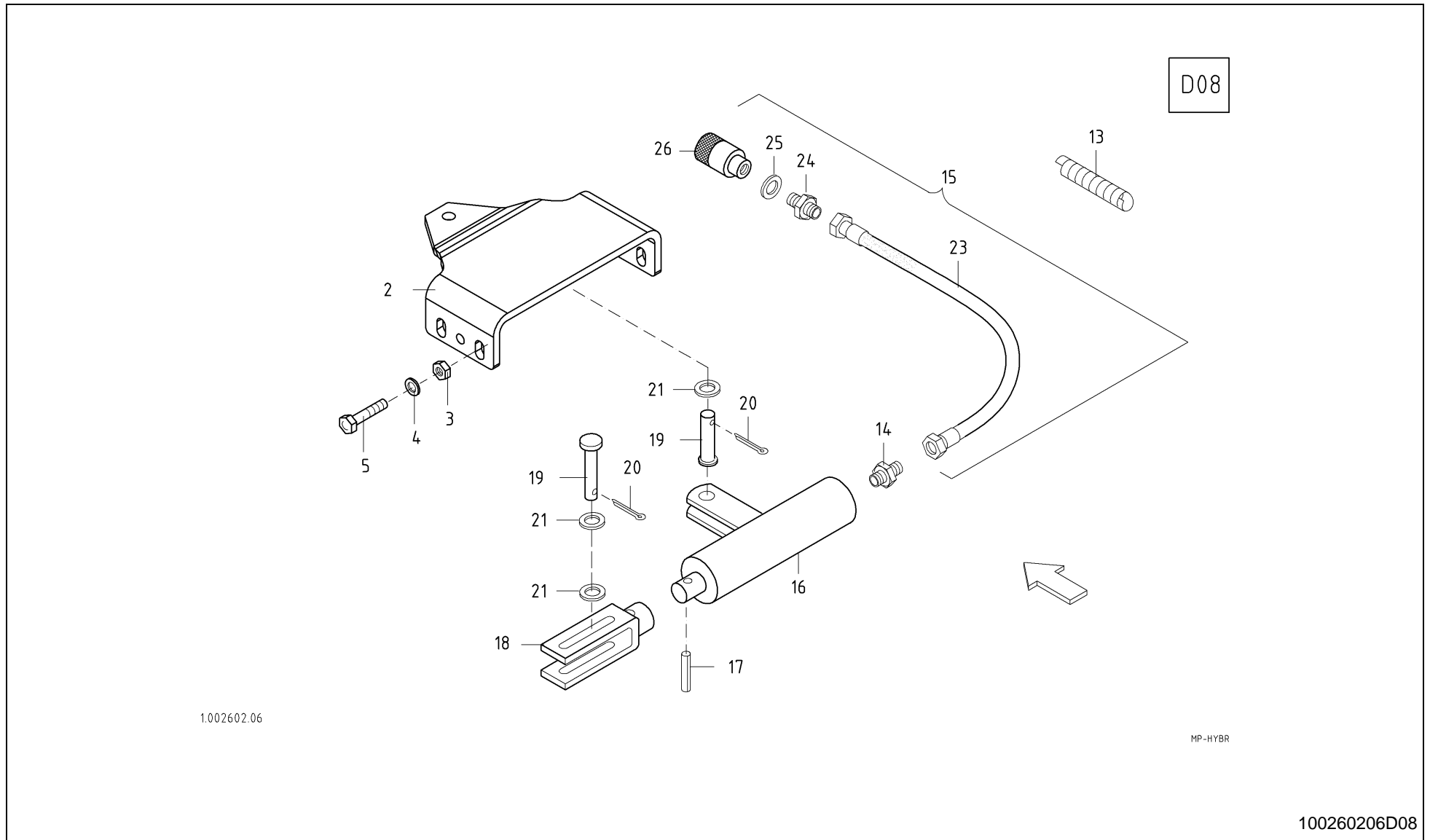
1.002522.00

100252200D07

RF 125 R / OC14 / oil pump



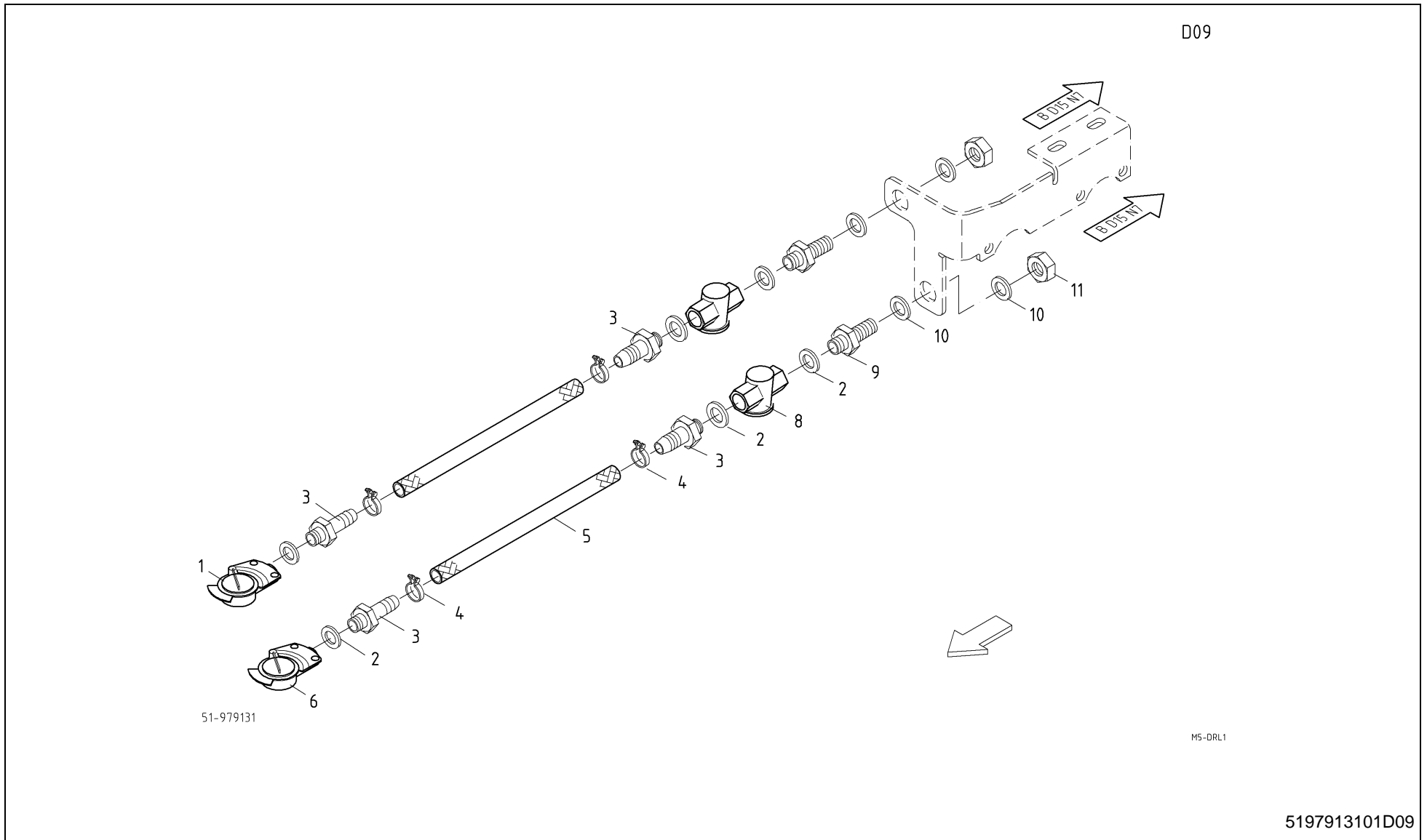
PosNo.	Part No.	Qty.	Description	Remark
1	VF16619637	1	PUMP	
2	VF16614411	1	THREADED UNION	
3	VF16614412	1	COMPRESSION SPRING	
4	VF06573140	1	SNAP RING	
5	VF06573120	8	SCREW-IN NIPPLE	
7	VF16614414	1	CENTERING WASHER	
8	VF16614415	1	COMPRESSION SPRING	
9	VF16614416	1	COMPRESSION SPRING	
11	VF16614418	1	V-SEAL	
12	VF16614419	1	O-SEAL	
14	VF01116682	1	ERMETO NIPPLE	
16	VF16614417	1	SEALING CONE	
17	VF16614413	1	CONTROL PISTON	



RF 125 R / OC14 / hydraulic brake France



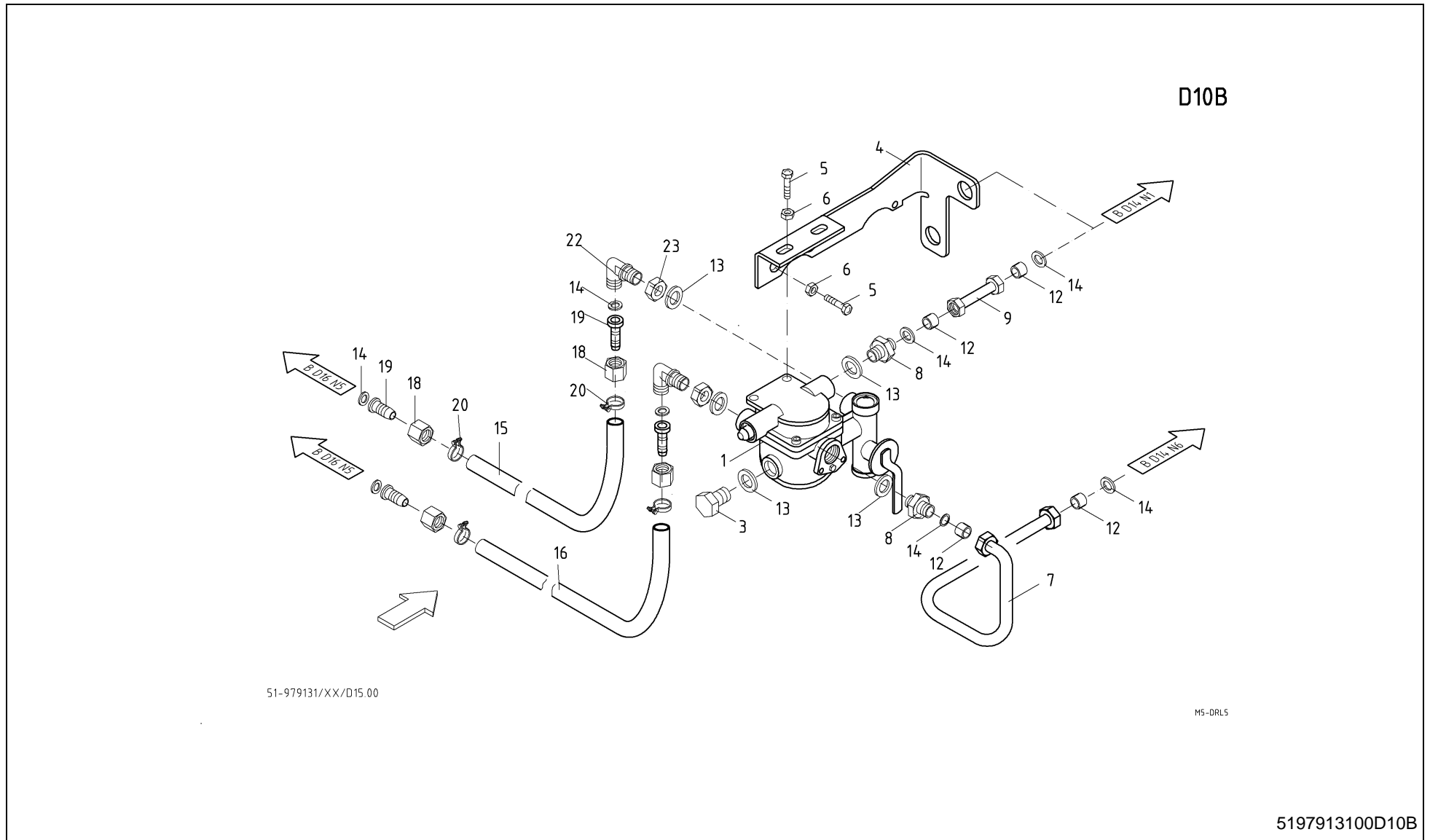
PosNo.	Part No.	Qty.	Description	Remark
2	VF16653062.86	1	SUPPORT	
3	KG01052061	4	HEX. NUT M10 8	
4	KG01267461	4	WASHER M10	
5	KG00474361	4	HEX. SCREW M10X30 8.8	
13	VF06558568	1	WIRE CHAFING GUARD	
14	VF16615961	1	THREADED UNION	
15	VF16615956	1	HYDR. HOSE	
16	VF16653071	1	CYLINDER	
17	KG01184962	1	TENSION PIN 3X24	
18	VF16513900.86	1	CLEVIS	
19	VF06210017	2	PIN	
20	KG01251561	2	SPLIT PIN 4X25 ST	
21	KG01267561	3	WASHER M12	
22	VF16513861	2	BUSH	
23	VF16615955	1	HYDR. HOSE	X 15
24	VF01116682	1	ERMETO NIPPLE	X 15
25	VGND3156	1	PACKING RING 1.5X18X22	X 15
26	VF16613256	1	HYDR.PIPE	X 15



RF 125 R / OC14 / air brake



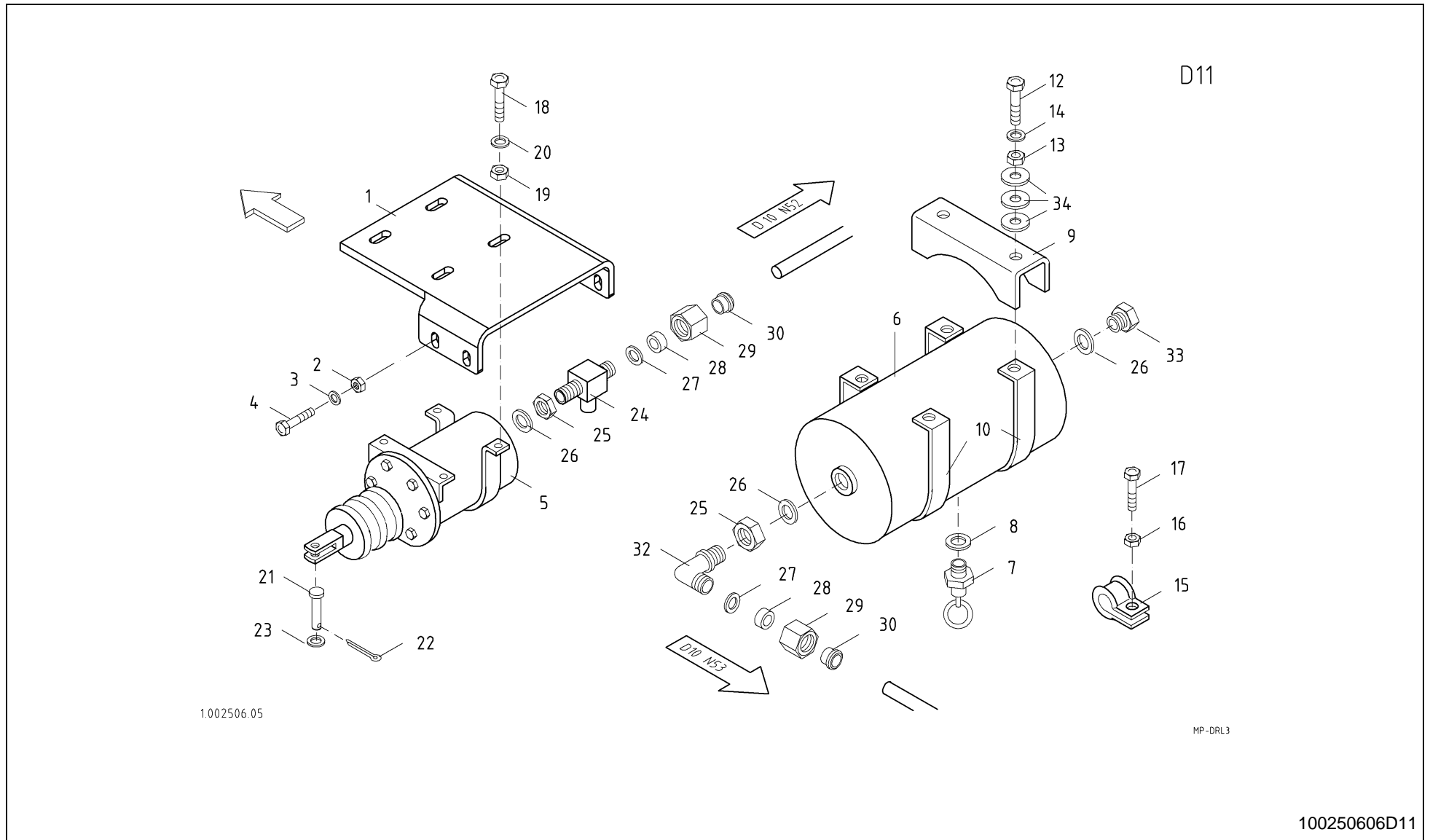
PosNo.	Part No.	Qty.	Description	Remark
1	VF16650191	1	CLUTCH BUTTON	
2	VF01118736	4	GASKET	
3	VF06216771	4	SOCKET/ADAPTER	
4	VF06216772	4	PIPE CLIP	
5	VF16618830	2	BRAKE TUBE	
6	VF16650190	1	CLUTCH BUTTON	
8	VF06558801	2	FILTER	
9	VF06216763	2	TWIN NIPPLE	
10	VF06214306	4	WASHER	
11	VF01137633	2	NUT	



RF 125 R / OC14 / air brake



PosNo.	Part No.	Qty.	Description	Remark
1	VF06558797	1	BRAKE VALVE	
3	VF06216756	1	BANJO BOLT	
4	VF16652001.86	1	SUPPORT	
5	KG00474361	4	HEX. SCREW M10X30 8.8	
6	KG01067661	4	LOCK NUT M10 8	
7	VF16652028	1	TUBE	
8	VF01142247	2	SOCKET/ADAPTER	
9	VF16650122	1	BRAKE TUBE	
12	VF01125146	4	THRUST RING	
13	VF01118736	4	GASKET	
14	VF06277296	4	SEALING	
15	VF16654706	1	BRAKE TUBE	
16	VF16652006	1	BRAKE TUBE	
17	VF06216771	2	SOCKET/ADAPTER	
18	VF01142083	2	NUT	
19	VF01121766	2	TUBE	
20	VF06216772	4	PIPE CLIP	
22	VF01142246	2	ELBOW	
23	VF01137633	2	NUT	

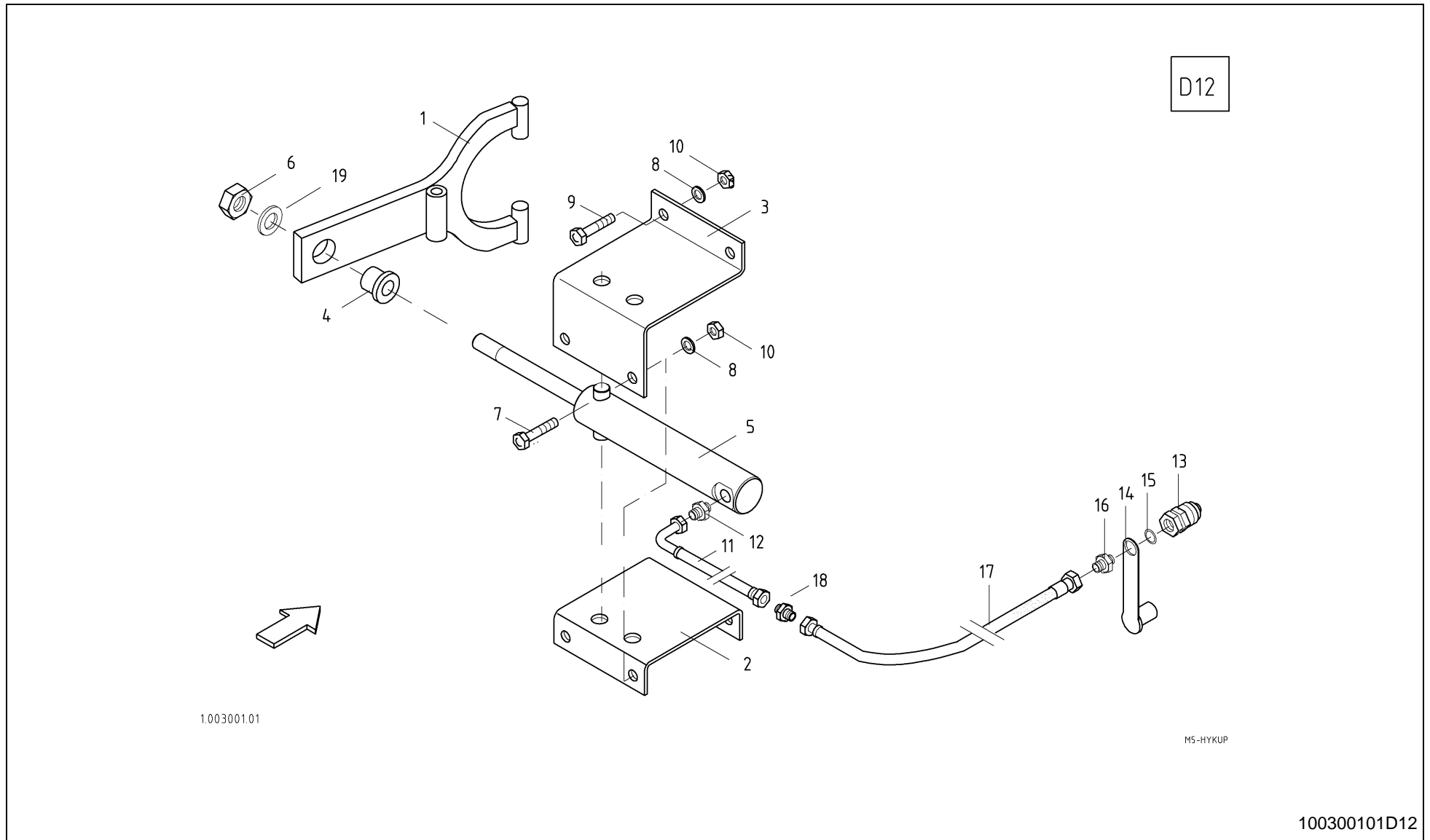


RF 125 R / OC14 / air brake



PosNo.	Part No.	Qty.	Description	Remark
1	VF16653089.86	1	SUPPORT	
2	KG01052061	4	HEX. NUT M10 8	
3	KG01267461	4	WASHER M10	
4	KG00474361	4	HEX. SCREW M10X30 8.8	
5	VF06216749	1	HYDRAULIC CYLINDER	
6	VF16615988	1	AIR TANK	
7	VF06216747	1	VALVE	
8	VF01118736	3	GASKET	
9	VF16615972.86	1	RETAINER	
10	VF16618237.86	2	RETAINER	
12	KG00353261	4	HEX. BOLT M8X40 8.8	
13	KG01067561	4	LOCK NUT M8 8	
14	VF06214195	8	WASHER	
15	VF01211882	3	PIPE CLIP	
16	KG01067361	3	LOCK NUT M6 8	
17	KG00468961	3	HEX. SCREW M6X20 8.8	
18	KG00474261	4	HEX. SCREW M10X25 8.8	
19	KG01067661	4	LOCK NUT M10 8	
20	KG01267461	8	WASHER M10	
21	VF06210024	1	PIN	
22	KG01251561	1	SPLIT PIN 4X25 ST	
23	VF01115040	1	WASHER	
24	VF06216762	1	STRAIGHT UNION	
25	VF01137633	2	NUT	
26	VF06216757	3	SEAL RING	
27	VF06277296	2	SEALING	
28	VF01125146	2	THRUST RING	
29	VF01125152	2	UNION NUT	
30	VF01116626	2	CUTTING RING	
32	VF01142246	1	ELBOW	
33	VF06216756	1	BANJO BOLT	
34	VF06214193	12	WASHER	

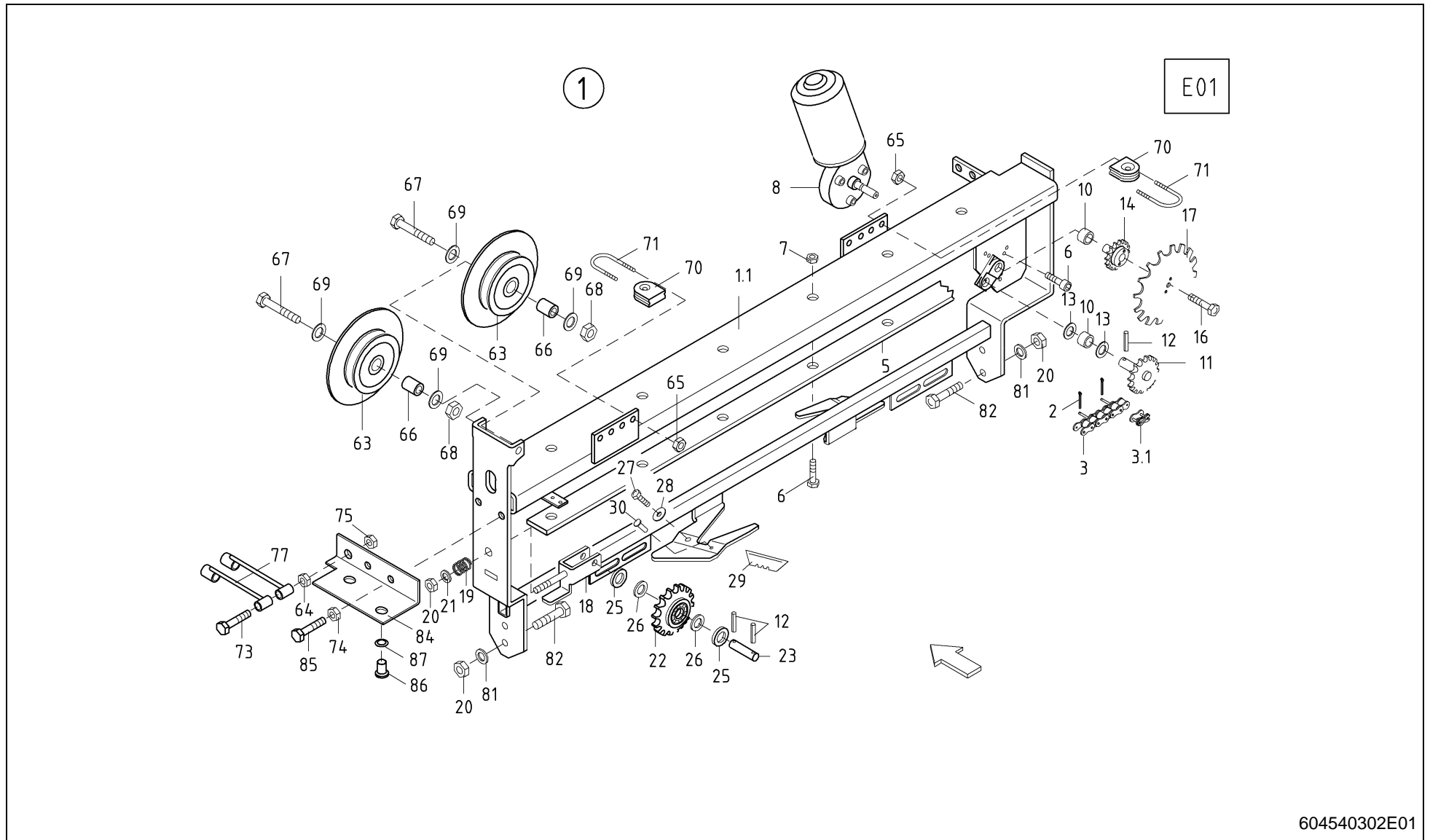
RF 125 R / OC14 / hy. coupling for toothed roller





RF 125 R / OC14 / hy. coupling for toothed roller

PosNo.	Part No.	Qty.	Description	Remark
1	VF16654189.86	1	LEVER/ARM	
2	VF16613758.86	1	BEARING	
3	VF16613757.86	1	BEARING	
4	VF16613756	1	BUSH	
5	VF16655977	1	HYDRAULIC CYLINDER	
5	VF16618616		SEALING SET	X N5
6	KG01067761	1	LOCK NUT M12 8	
7	VF01173381	2	HEX.HEAD SCREW	
8	VF06214246	12	WASHER	
9	KG00472161	4	HEX. SCREW M8X25 8.8	
10	KG01067561	6	LOCK NUT M8 8	
11	VF16653607	1	HOSE	
12	VF16654714	1	EINSCHRAUBSTUTZEN	
13	VGND92031V	1	PLUG, QUICK-DISCONN.	
14	VGND9607	1	COVER, DUST	
15	VGND6230	1	O-RING	
16	VF01116677	1	ERMETO NIPPLE	
17	VF16615440	1	HYDR.HOSE	
18	VF01116705	1	CONNECTING SLEEVE	
19	KG01267561	1	WASHER M12	



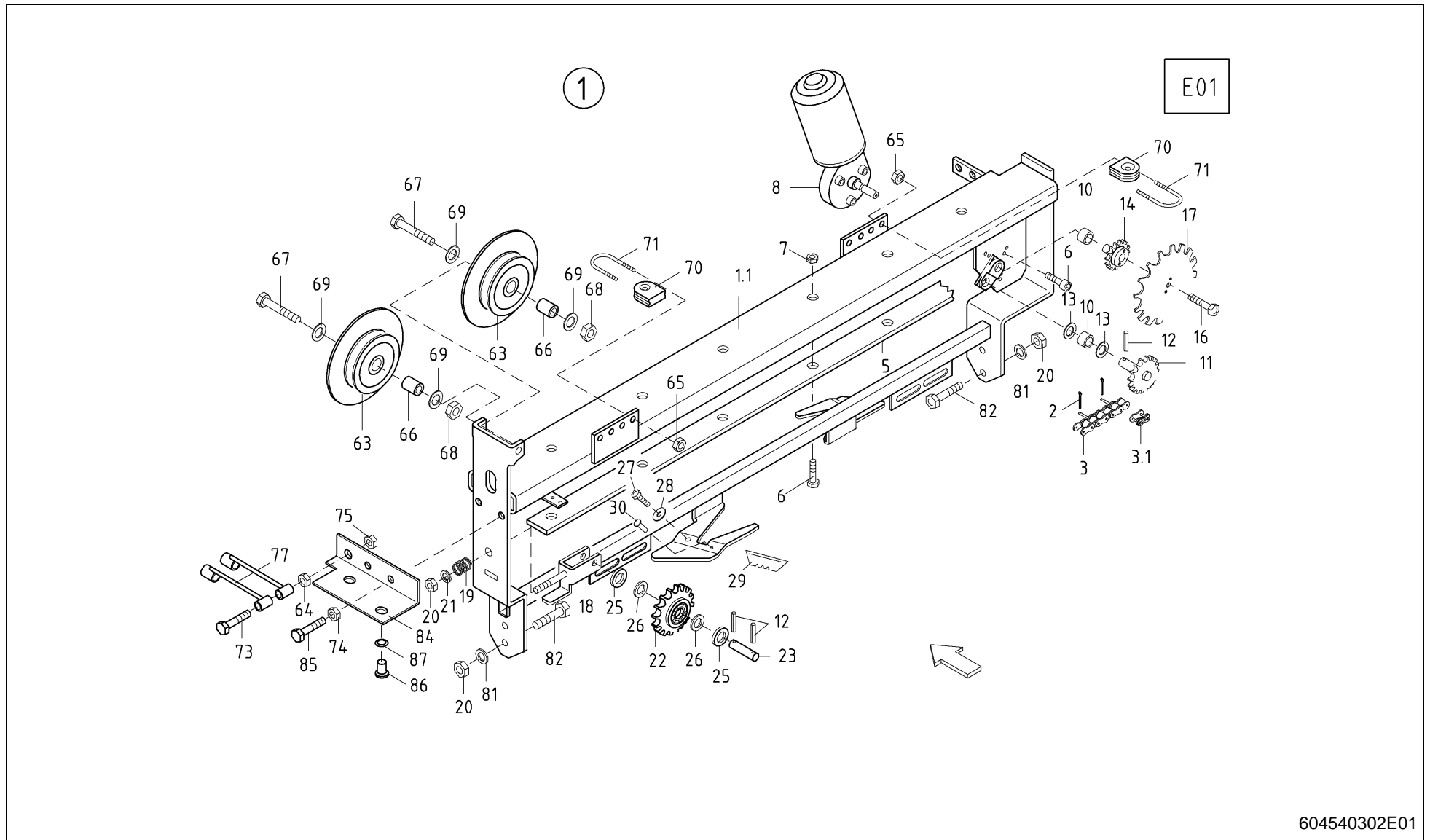
604540302E01



RF 125 R / OC14 / twine knotter,frame

PosNo.	Part No.	Qty.	Description	Remark
1	VF16616200	1	TWINE KNOTTER CPL	
1.1	VF16652165.86	1	SUPPORT	
2	KG01247461	4	SPLIT PIN 1.6X12 ST	
3	VF16616233	1	DRIVER CHAIN	
3.1	VF01119778		CHAIN LINK	
5	VF16616234	1	GUIDE BAR	
6	VF01104181	9	CYLINDR. SCREW	
7	KG01067361	6	LOCK NUT M6 8	
8	VF16615352	1	EL. GEARMOTOR MR 62 12 V 1VEL	B H03
10	VF16615381	2	NEEDLE SLEEVE	
11	VF16615376.86	1	SPROCKET	
12	KG01186262	3	TENSION PIN 4X24	
13	VF06214586	1	WASHER	
14	VF16654331.86	1	DRIVING WHEEL	
15	KG01186062	1	TENSION PIN 4X20	
16	KG00466161	3	HEX. SCREW M4X16 8.8	
17	VF16615390	1	TOOTHED RING	
18	VF16616224.86	1	BRACKET	
19	VF02953332	1	COMPRESSION SPRING	
20	KG01067661	5	LOCK NUT M10 8	
21	VGMT152V	1	WASHER, PLAIN 3X11X30	
22	VF16616235.86	1	TENSION ROLLER	
23	VF06209938	1	PIN	
25	VF16604743	2	WASHER	
26	VF06214293	2	WASHER	
27	KG00468561	2	HEX. SCREW M6X12 8.8	
28	VF06210691	2	CUP SPRING	
29	VF06552220	2	KNIFE	
30	VF01115307	2	RIVET	
63	VF16617907	2	GUIDE ROLLER	
64	KG01052061	1	HEX. NUT M10 8	
65	KG01067361	4	LOCK NUT M6 8	
66	VF16617908	2	TUBE	
67	KG00355561	2	HEX. BOLT M10X55 8.8	
68	KG01068861	2	LOCK NUT M10 10	
69	VGMT152V	3	WASHER, PLAIN 3X11X30	
70	VF06250778	2	PORCELAIN RING	
71	VF06250780	2	SCREW	
73	KG00356261	1	HEX. BOLT M10X90 8.8	
74	KG01067561	2	LOCK NUT M8 8	

RF 125 R / OC14 / twine knotter,frame



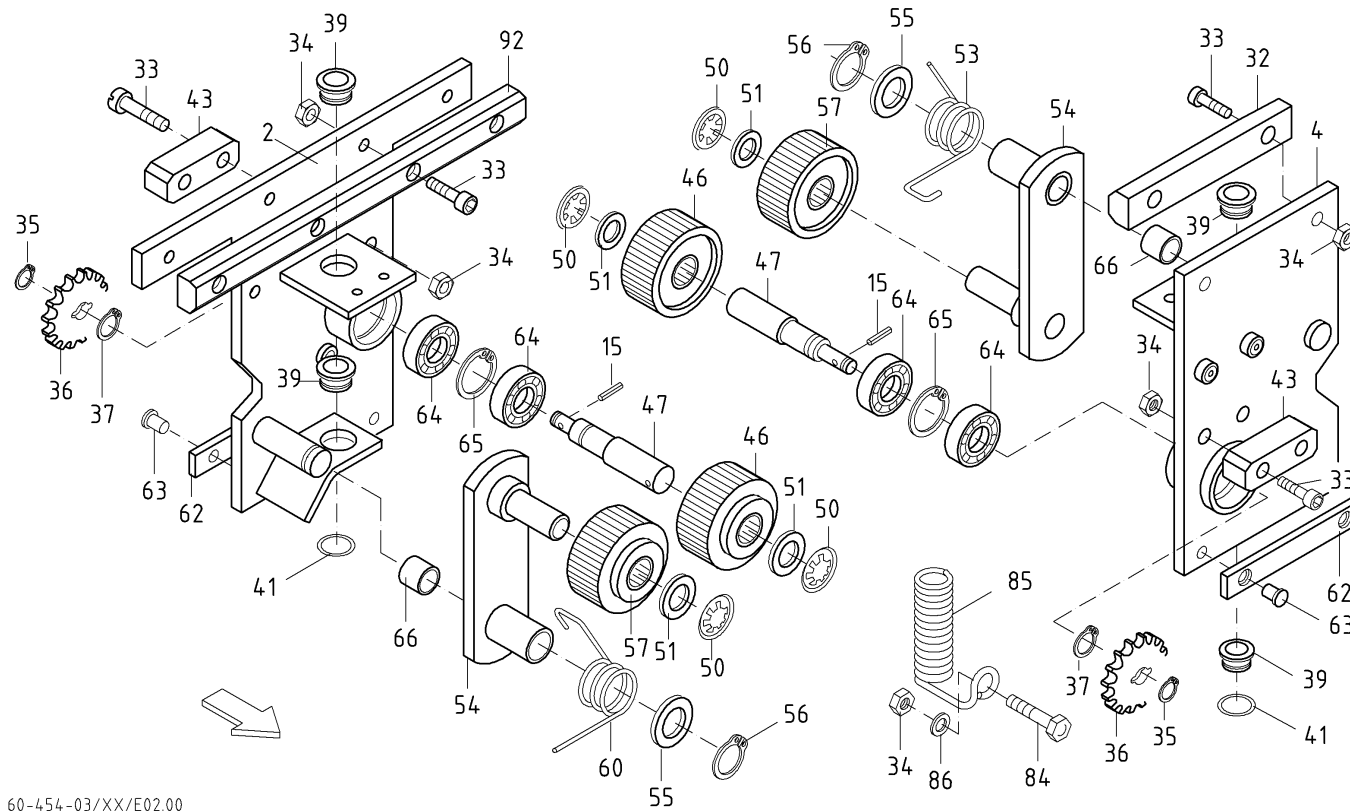
604540302E01

RF 125 R / OC14 / twine knotter,frame



PosNo.	Part No.	Qty.	Description	Remark
75	KG01067661	1	LOCK NUT M10 8	
77	VF06573520	2	TWINE GUIDE PIECE	
81	KG01267461	2	WASHER M10	
82	KG00474261	2	HEX. SCREW M10X25 8.8	
84	VF16617583.86	1	EYE RETAINER	
85	KG00471761	2	HEX. SCREW M8X16 8.8	
86	VF16616279	2	GUIDE EYE	
87	VF06214690	2	SEAL RING 15X3	

E02B



60-454-03/XX/E02.00

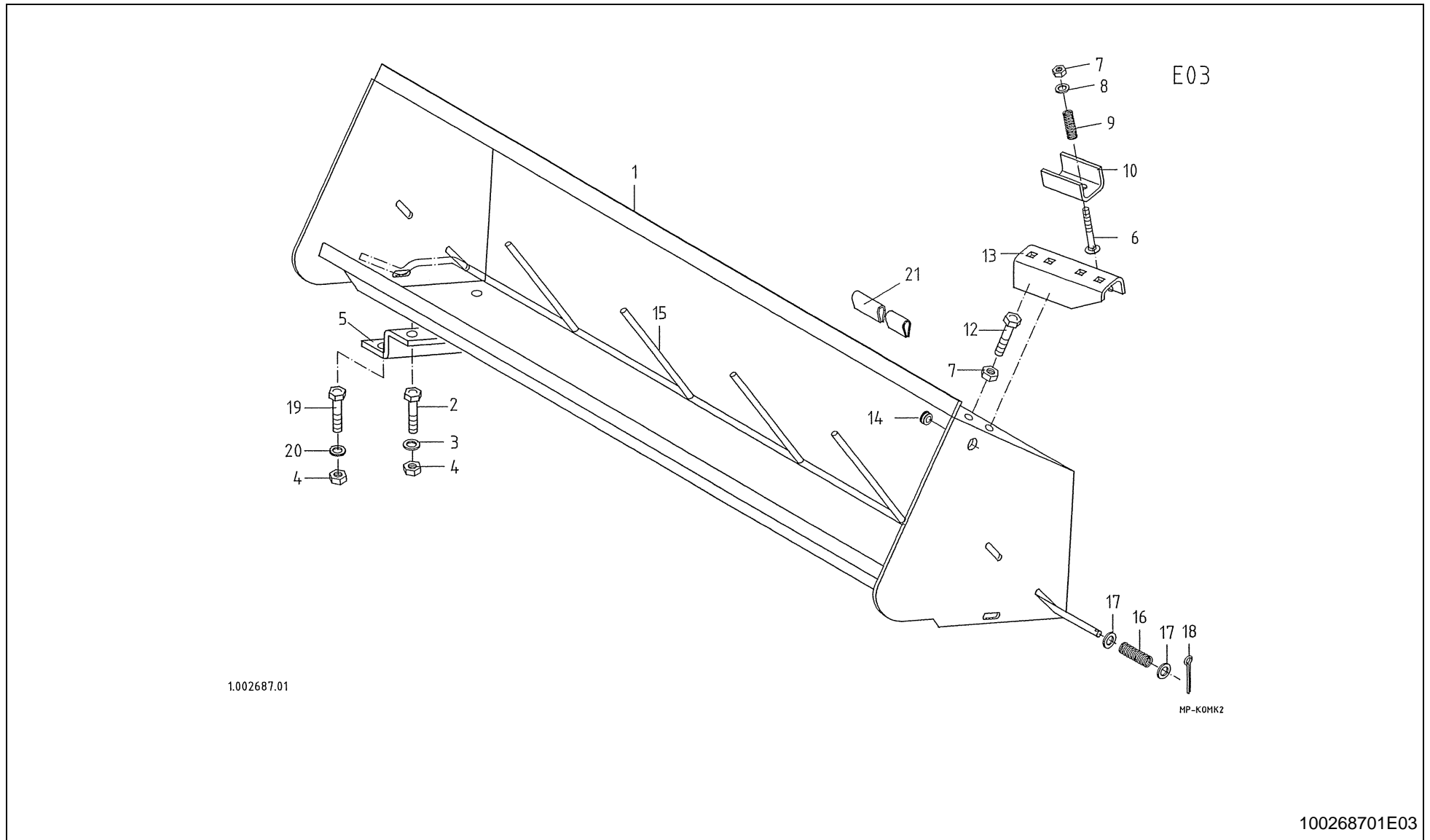
M5-SCHT

604540300E02B



RF 125 R / OC14 / skid left and right

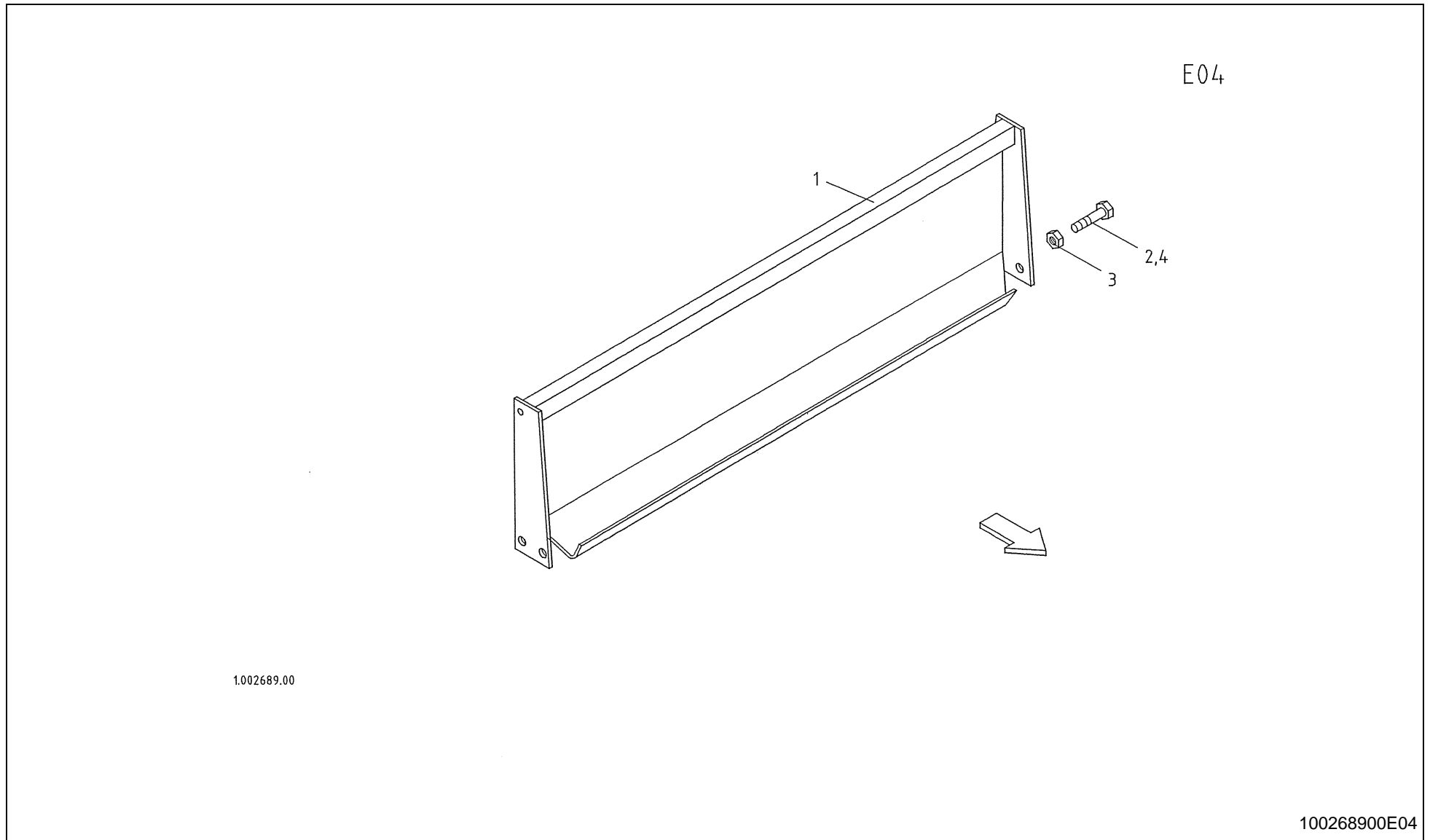
PosNo.	Part No.	Qty.	Description	Remark
2	VF16616228.86	1	SKID RIGHT	
4	VF16616226.86	1	SKID LEFT	
15	KG01186062	2	TENSION PIN 4X20	
32	VF16616217	1	SLIDING PAD	
33	VF01110522	8	CHEESE HEAD SCREW	
34	KG01067361	8	LOCK NUT M6 8	
35	KG01097600	2	CIRCLIP-A 12 X 1.5	
36	VF16614616	2	SPROCKET	
37	KG01107300	2	CIRCLIP-A 15 X 1	
39	VF16616279	4	GUIDE EYE	
41	VF06214690	4	SEAL RING 15X3	
43	VF16615371	2	SLIDING BLOCK	
46	VF16519575	2	DRIVER ROLLER	
47	VF16616247	2	SHAFT	
50	VF16616280	4	LOCKING WASHER	
51	KG01267761	4	WASHER M16	
53	VF16616232	1	TORSION SPRING	
54	VF16617597.86	2	TENSION ARM	
55	KG01267761	2	WASHER M16	
56	KG01107400	2	CIRCLIP-A 16 X 1	
57	VF16617599	2	DRIVER ROLLER	
60	VF16615372	1	SPRING	
62	VF16616248.86	2	SLIDING STRIP	X 2/4
63	VF16618423	4	BLANK RIVET	X 2/4
64	KG01375600	4	BALL BEARING 6202-2RS	
65	KG01127500	2	CIRCLIP-B 35 X 1.5	
66	VF16616236	2	BUSH	
84	KG00468761	2	HEX. SCREW M6X16 8.8	
85	VF16617581	2	SPRING	
86	KG01267261	2	WASHER M6	
92	VF16619305	1	SLIDING PAD	



RF 125 R / OC14 / combin box



PosNo.	Part No.	Qty.	Description	Remark
1	VF16655480.86	1	KOMBI-KASTEN GSW.	
2	KG00472161	4	HEX. SCREW M8X25 8.8	
3	VF06214193	4	WASHER	
4	KG01067561	8	LOCK NUT M8 8	
5	VF16617596.86	2	INTERMEDIATE PIECE	
6	KG00351261	4	HEX. BOLT M6X50 8.8	
7	KG01067361	4	LOCK NUT M6 8	
8	VGND3034V	4	WASHER, PLAIN 24/6MM	
9	VF06215272	4	SPIRAL SPRING	
10	VF16519175	2	THRUST PLATE	
12	KG00468761	2	HEX. SCREW M6X16 8.8	
13	VF16617582	1	BRAKE ANGLE	
14	VF16617182	2	WIRE INLET	
15	VF16617177.86	1	RAKE	
16	VF06215272	1	SPIRAL SPRING	
17	KG01267361	2	WASHER M8	
18	KG01249661	1	SPLIT PIN 3.2X16 ST	
19	KG00471961	4	HEX. SCREW M8X20 8.8	
20	KG01267361	4	WASHER M8	
21	VF16518781	1	EDGE PROTECTION	
21	VF16611417	1	PROTECTION	





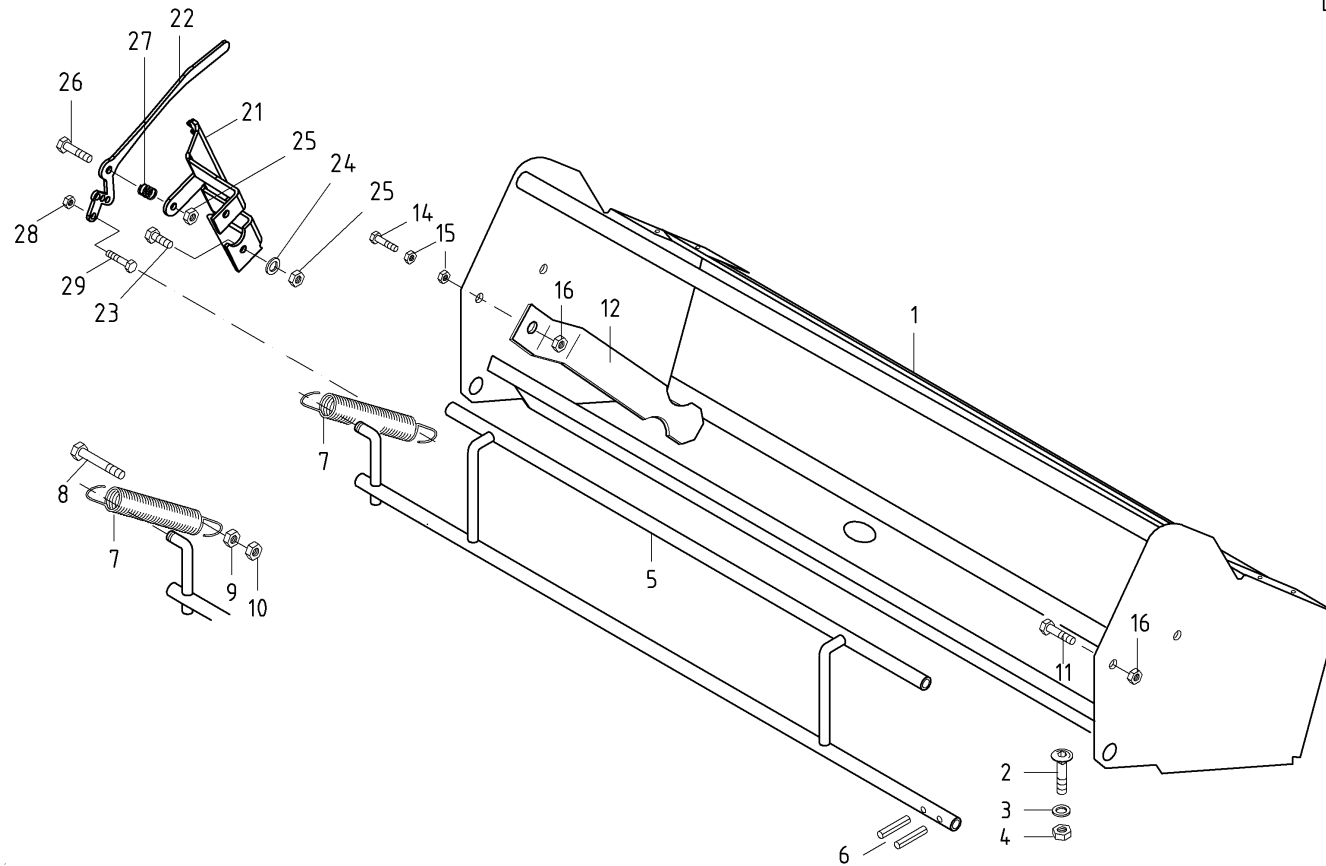
RF 125 R / OC14 / guide plate

PosNo.	Part No.	Qty.	Description	Remark
1	VF16617189.86	1	GUIIDE PLATE	
2	KG00474061	2	HEX. SCREW M10X20 8.8	
3	KG01067661	2	LOCK NUT M10 8	
4	VF06209465	2	HEX.HEAD SCREW	

RF 125 R / OC14 / net roller brake



E05



MP-NEBR1

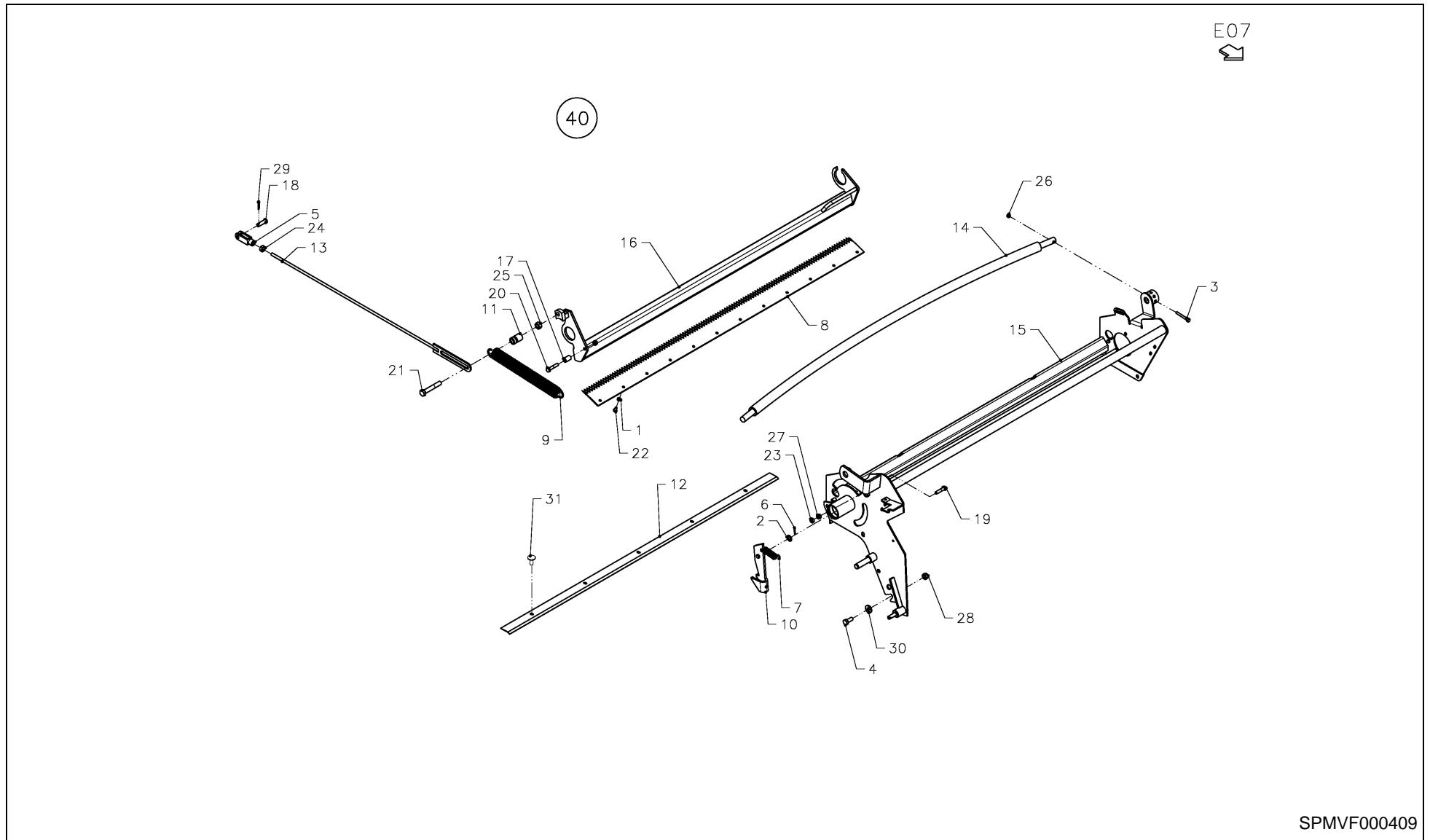
100268803E05



RF 125 R / OC14 / net roller brake

PosNo.	Part No.	Qty.	Description	Remark
1	VF16617160.86	1	TUB	
1	VF16655485.86	1	TUB	
2	KG00639161	4	CARRIAGE BOLT M8X25 8.8	
3	VF06214193	4	WASHER	
4	KG01067561	6	LOCK NUT M8 8	
5	VF16617163.86	1	BRAKE-YOKE	
6	KG01188162	2	TENSION PIN 5X36	
7	VF16617109	1	DRAW SPRING	
8	KG00358561	1	HEX. BOLT M12X120 8.8	
9	KG01052161	1	HEX. NUT M12 8	
10	KG01068961	1	LOCK NUT M12 10	
11	KG00471761	1	HEX. SCREW M8X16 8.8	
12	VF16617171.86	2	SPACER SUPPORT	
14	KG00353161	1	HEX. BOLT M8X35 8.8	
15	KG01051961	2	HEX. NUT M8 8	
16	KG01067561	2	LOCK NUT M8 8	
21	VF16654187.86	1	SUPPORT	
22	VF16654909.86	1	LEVER	
23	KG00476561	2	HEX. SCREW M12X30 8.8	
24	KG01267561	2	WASHER M12	
25	KG01068961	3	LOCK NUT M12 10	
26	KG00476961	1	HEX. SCREW M12X50 8.8	
27	VF01142838	1	COMPRESSION SPRING	
28	KG01068861	1	LOCK NUT M10 10	
29	KG00474261	1	HEX. SCREW M10X25 8.8	

RF 125 R / OC14 / net binding frame





RF 125 R / OC14 / net binding frame

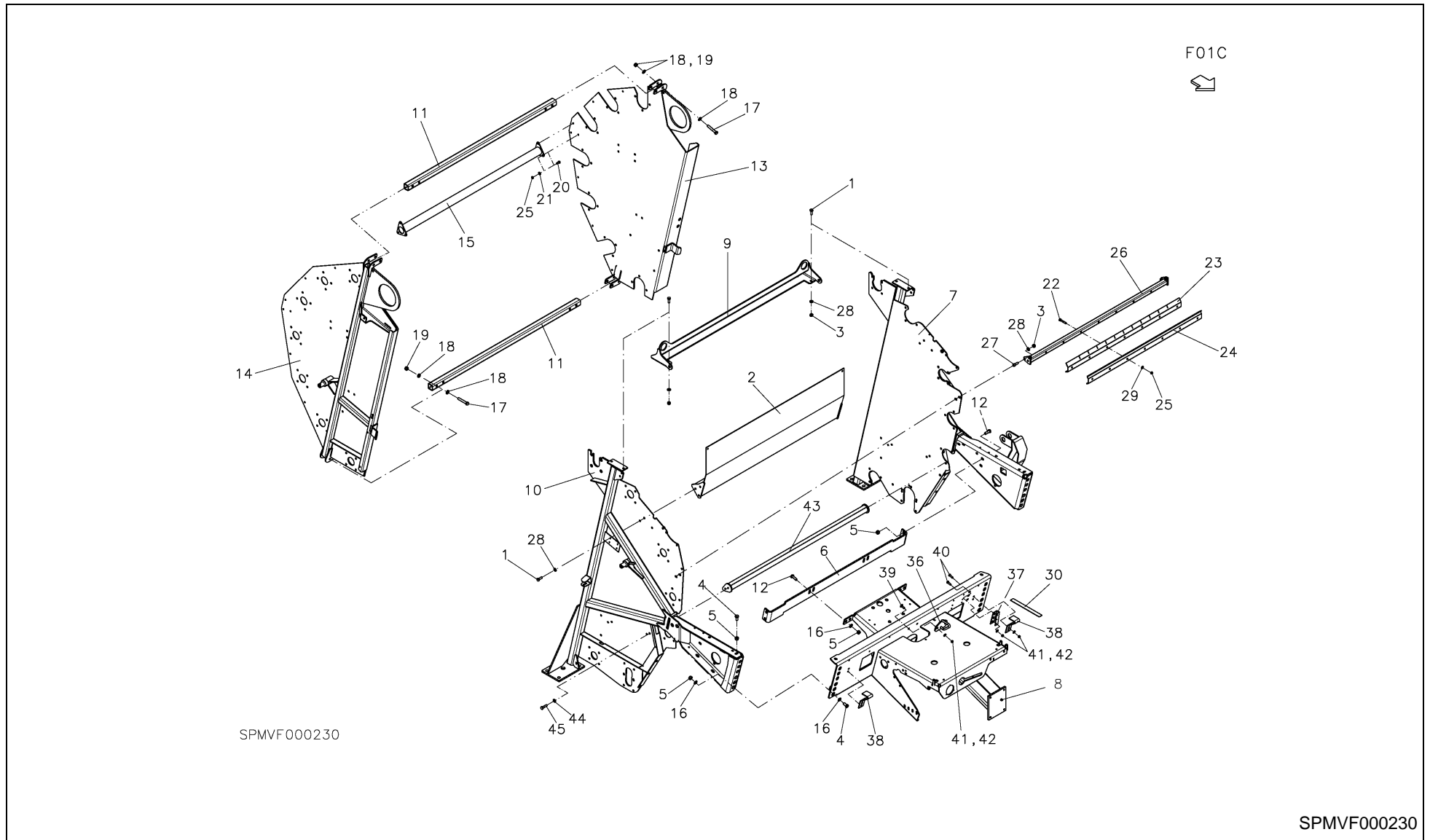
PosNo.	Part No.	Qty.	Description	Remark
1	KG01267261	12	WASHER M6	
2	VF01107552	1	WASHER	
3	KG00351261	1	HEX. BOLT M6X50 8.8	
4	KG00474261	1	HEX. SCREW M10X25 8.8	
5	VF01120915	1	FORK HEAD	
6	VF01132625	1	SPLIT PIN	
7	VF16615967	1	TENSION SPRING	
8	VF16617102	1	KNIFE STRIP	
9	VF16617103	1	TENSION SPRING	
10	VF16617132.86	1	RATCHET	
11	VF16617134	1	SPACER TUBE	
12	VF16617137.86	1	SCRAPPER	
13	VF16618727.86	1	PULL ROD	
14	VF16655036	1	NETZFUERUNGSROHR	
15	VF16655805.86	1	FRAME WELD.	
16	VF16655808.86	1	MESSERTRAEGER GSW.	
17	VF01157397	1	DOWEL PIN	
18	VF06210009	1	PIN	
19	KG00353161	1	HEX. BOLT M8X35 8.8	
20	KG00353261	1	HEX. BOLT M8X40 8.8	
21	KG00358061	1	HEX. BOLT M12X75 8.8	
22	KG00468561	12	HEX. SCREW M6X12 8.8	
23	KG01051961	1	HEX. NUT M8 8	
24	KG01052061	1	HEX. NUT M10 8	
25	KG01052161	1	HEX. NUT M12 8	
26	KG01067361	1	LOCK NUT M6 8	
27	KG01067561	2	LOCK NUT M8 8	
28	KG01068861	3	LOCK NUT M10 10	
29	KG01251461	1	SPLIT PIN 4X20 ST	
30	KG01273661	1	WASHER M10	
31	VF01142077	5	SAUCER HEAD SCREW	
40	VF16655005	1	NET BINDING	



RF 125 R / OC14 / net binding roller

PosNo.	Part No.	Qty.	Description	Remark
2	VF16614738	1	ROLLER	
3	KG01355200	2	BALL BEARING 6004-2RS	
4	KG01128200	1	CIRCLIP-B 42 X 1.75	
5	VF16614376	1	V-BELT PULLEY	
6	KG01188462	1	TENSION PIN 5X50	
7	VF16617116.86	1	FLANGE	
8	VF06209473	2	HEX.HEAD SCREW	
9	KG01267961	4	WASHER M20	
14	VGTP0011	1	SHIM SET	
16	VF16654358	1	NETROLLER	
18	VF16618413.86	1	TENSION LEVER LEFT	
19	KG00474061	1	HEX. SCREW M10X20 8.8	
20	KG01052061	1	HEX. NUT M10 8	
21	VF16617124.86	1	TENSION LEVER RIGHT	
22	KG01267461	2	WASHER M10	
23	KG01249661	2	SPLIT PIN 3.2X16 ST	
24	VF06215539	2	TENSION SPRING	
25	VF16653616	2	M8X30 109A3C/TRUSS HEAD SCREW	
26	KG01051961	2	HEX. NUT M8 8	
27	KG01067561	2	LOCK NUT M8 8	
48	VF16618480.86	1	LEVER	
49	KG01267761	1	WASHER M16	
50	KG01107400	1	CIRCLIP-A 16 X 1	
51	VF01142017.86	1	TENSION ROLLER	
52	KG01107300	1	CIRCLIP-A 15 X 1	
53	VF16618430.86	2	SPACER	
55	VF01174958	1	SUPPORT PLATE	
56	VF16617149	1	INTERMEDIATE RING	
57	VF16617148.86	1	FLANGED HUB	
58	KG00337861	1	HEX. BOLT M12X120 10.9	
59	KG01267561	1	WASHER M12	
60	VF16617110	2	V-BELT PULLEY HALF	
61	KG00468961	4	HEX. SCREW M6X20 8.8	
62	KG00468761	6	HEX. SCREW M6X16 8.8	
63	KG01067361	10	LOCK NUT M6 8	
64	VF16617104	1	V-BELT	
65	VF06214193	2	WASHER	
71	VF01138424	2	GR.BALL BEARING	

RF 125 R / OC14 / frame and cover

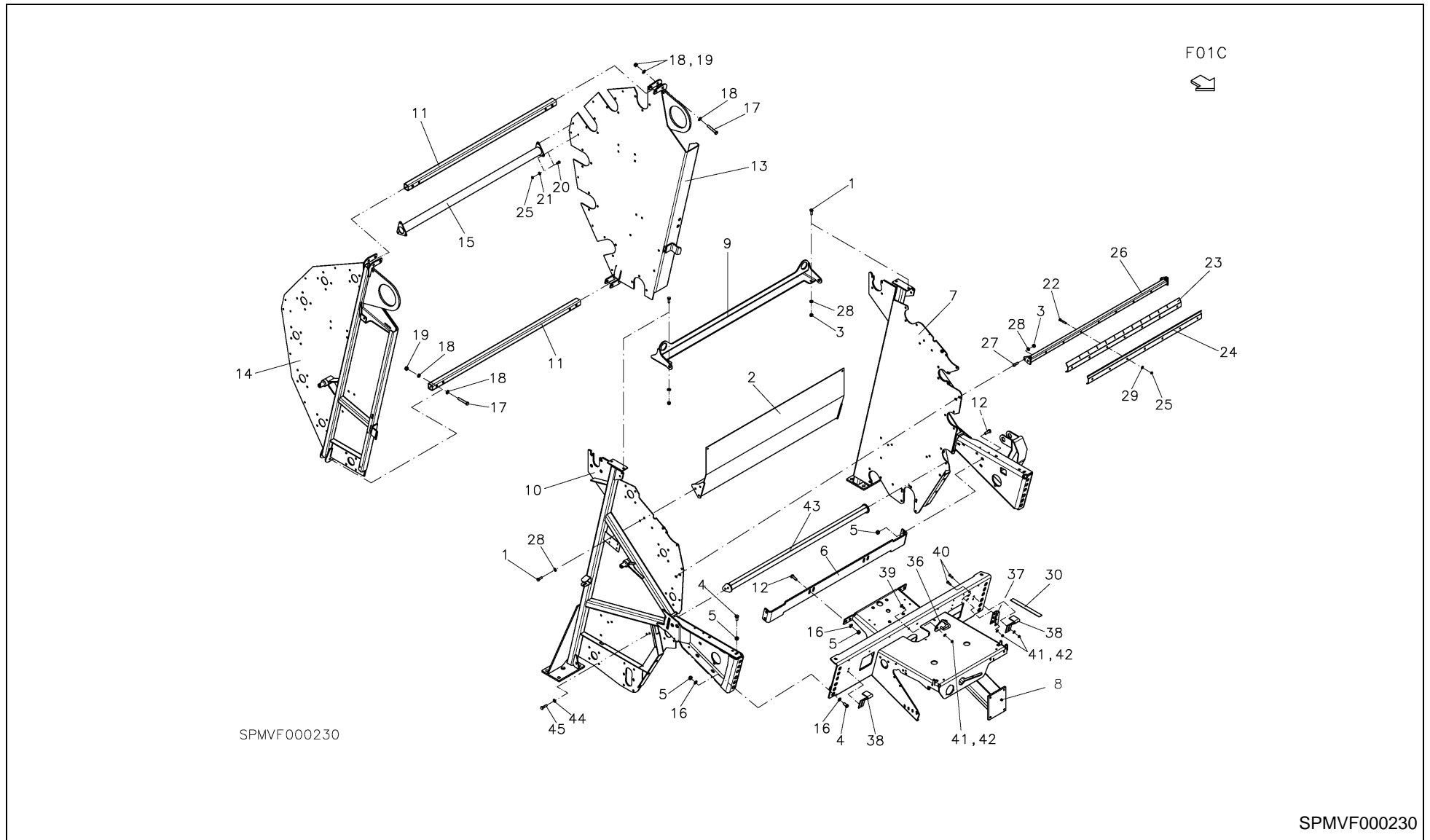




RF 125 R / OC14 / frame and cover

PosNo.	Part No.	Qty.	Description	Remark
1	KG00474361	8	HEX. SCREW M10X30 8.8	
2	VF16617194.86	1	SUPPORT WELDED	
3	KG01067661	4	LOCK NUT M10 8	
4	KG00476461	4	HEX. SCREW M12X25 8.8	
5	KG01067761	12	LOCK NUT M12 8	
6	VF16617819.86	1	SUPPORT	
7	VF16655180.86	1	SIDE PART LEFT	
8	VF16653040.86	1	GEAR BOX SUPPORT	
9	VF16651161.86	1	BEARING	
10	VF16655190.86	1	SIDE MEMBER RIGHT	
11	VF16651001.86	2	PIPE/TUBE	
12	KG00476661	8	HEX. SCREW M12X35 8.8	
13	VF16650930.86	1	SIDE PART LEFT	
14	VF16651015.86	1	SIDE MEMBER RIGHT	
15	VF16651002.86	1	PIPE/TUBE	
16	KG01267561	16	WASHER M12	
17	KG00357961	8	HEX. BOLT M12X70 8.8	
18	KG01267561	16	WASHER M12	
19	KG01067761	8	LOCK NUT M12 8	
20	KG00471961	6	HEX. SCREW M8X20 8.8	
21	VF06214246	12	WASHER	
22	KG00353461	7	HEX. BOLT M8X50 8.8	
23	VF06576899	2	STRIPPER	
24	VF06576898.86	2	TERMINAL STRIP	
25	KG01067561	13	LOCK NUT M8 8	
26	VF16616999.86	2	SUPPORT	
27	VF01397887	8	CHEESE-HEAD SCREW	
28	KG01267461	8	WASHER M10	
29	KG01267361	7	WASHER M8	
30	VF16519134	2	FACING	
33	VF01142565	2	TRUSS-HEAD SCREW	
34	VGND3030V	2	WASHER, PLAIN	
35	KG01067561	2	LOCK NUT M8 8	
36	VF16655476.86	1	RETAINER GSW.	
37	VF16655436.86	1	SUPPORT	
38	VF16655475.86	1	SUPPORT	
39	KG00639161	1	CARRIAGE BOLT M8X25 8.8	
40	KG00472161	1	HEX. SCREW M8X25 8.8	
41	VGND3030V	1	WASHER, PLAIN	
42	KG01067561	1	LOCK NUT M8 8	

RF 125 R / OC14 / frame and cover

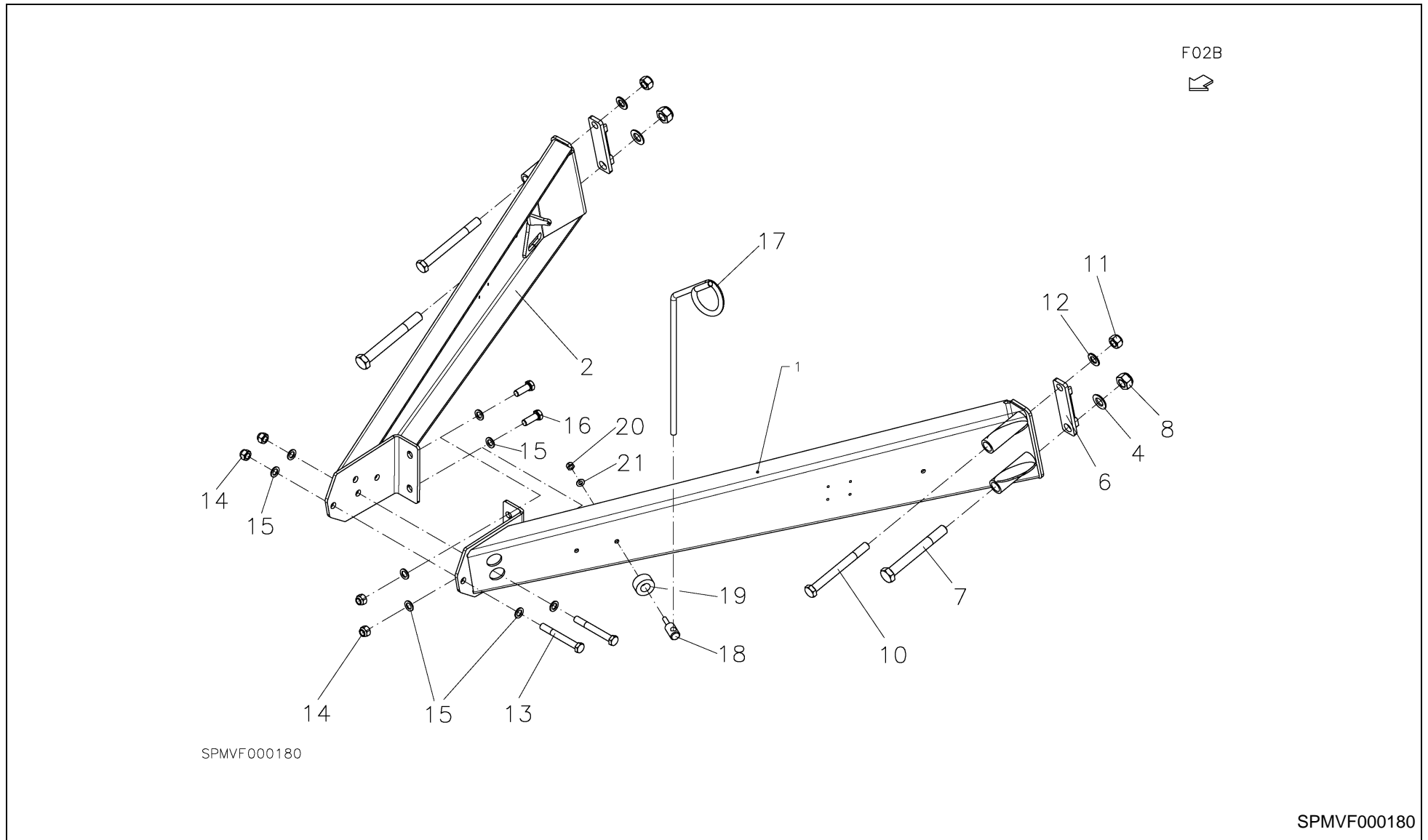




RF 125 R / OC14 / frame and cover

PosNo.	Part No.	Qty.	Description	Remark
43	VF16650304.86	1	DROP/TUBE	
44	KG01267461	1	WASHER M10	
45	VGND1481V	1	BOLT, LOCK, SPEC.	

RF 125 R / OC14 / traction device





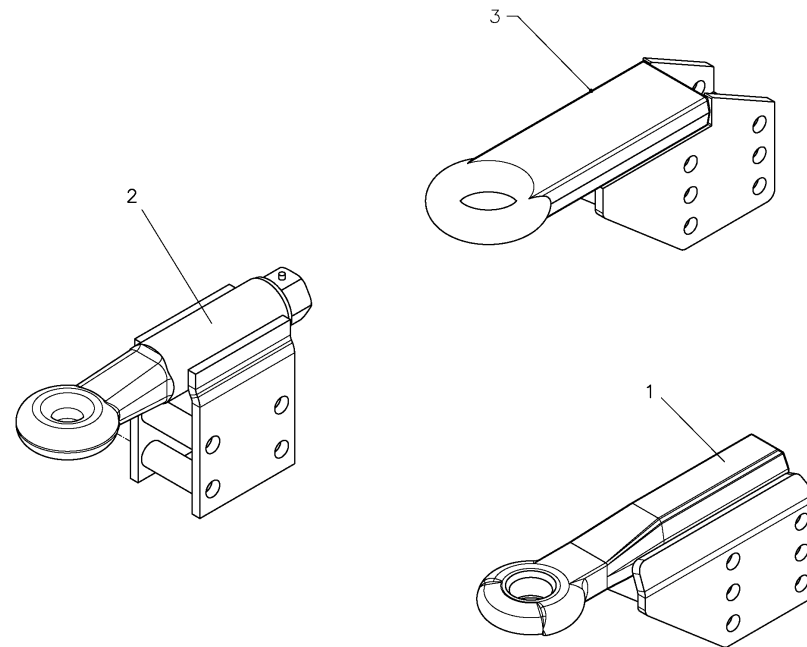
RF 125 R / OC14 / traction device

PosNo.	Part No.	Qty.	Description	Remark
1	VF16654141.86	1	TOWPOLE	
2	VF16654142.86	1	TOWPOLE	
4	VF16618479	2	WASHER	
6	VF16651791.86	2	LEDGE	
7	VF16651851	2	HEAD SCREW	
8	VF16651852	2	WHEEL NUT	
10	KG00367961	2	HEX. BOLT M20X200 8.8	
11	KG01068161	2	LOCK NUT M20 8	
12	KG01267961	2	WASHER M20	
13	VF16654134	1	SCREW/BOLT	
14	KG01069161	1	LOCK NUT M16 10	
15	KG01267761	1	WASHER M16	
16	KG00480361	1	HEX. SCREW M16X45 8.8	
17	UH415830-K	1	HOSE SECURING BAR	
18	UH415829	1	HOSE SECURING BAR SCREW M10	
19	UH415828	1	COLLAR Å#25,5-Å#50X24	
20	KG01067661	1	LOCK NUT M10 8	
21	KG01267461	1	WASHER M10	

RF 125 R / OC14 / eye bolts



F02C



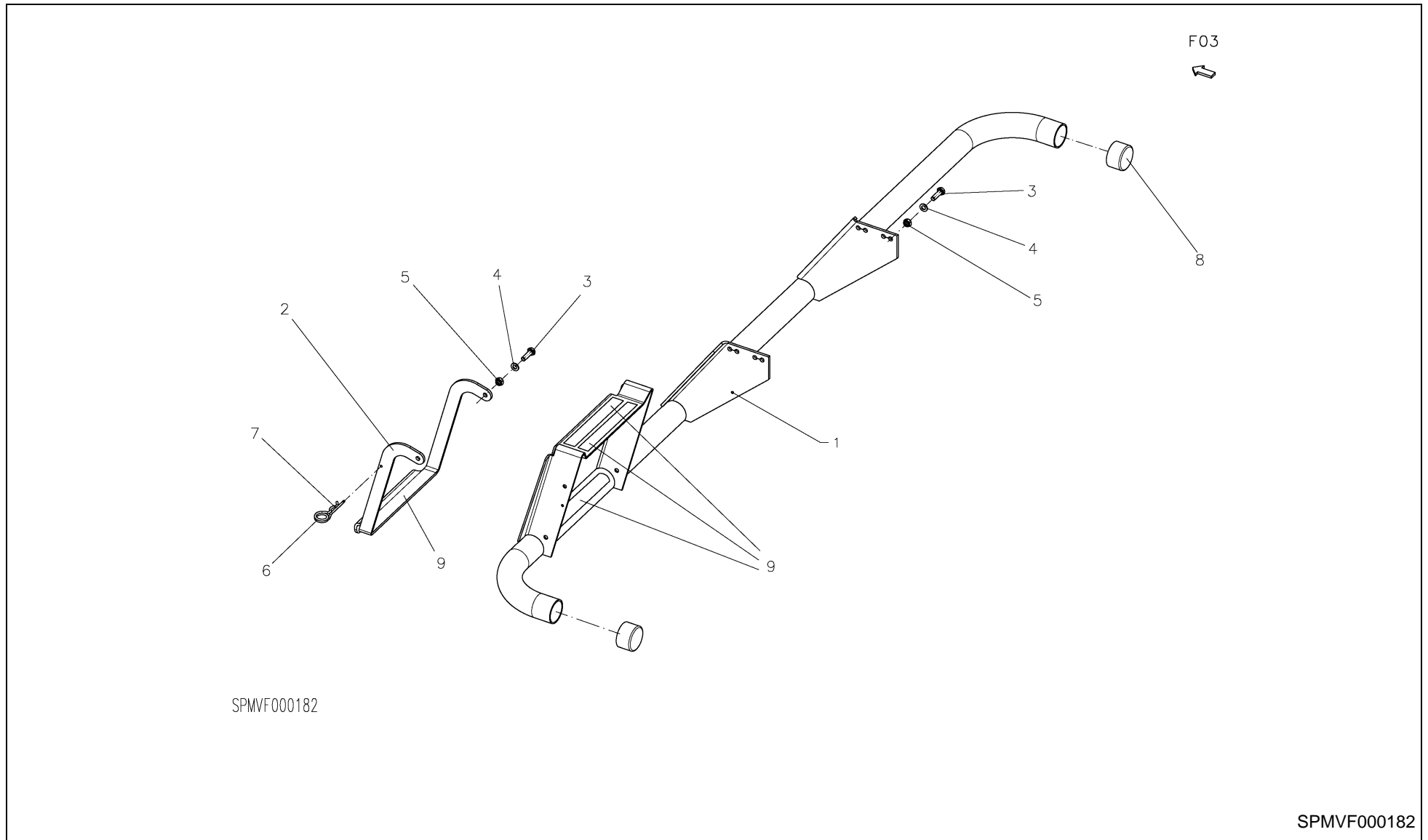
SPMVF000181

SPMVF000181

RF 125 R / OC14 / eye bolts



PosNo.	Part No.	Qty.	Description	Remark
1	VGWA0647	1	EYE, DRAW BAR	
2	VGWA01657	1	EYE, DRAW BAR	
3	VF16654615.86	1	DRAWBAR EYE	



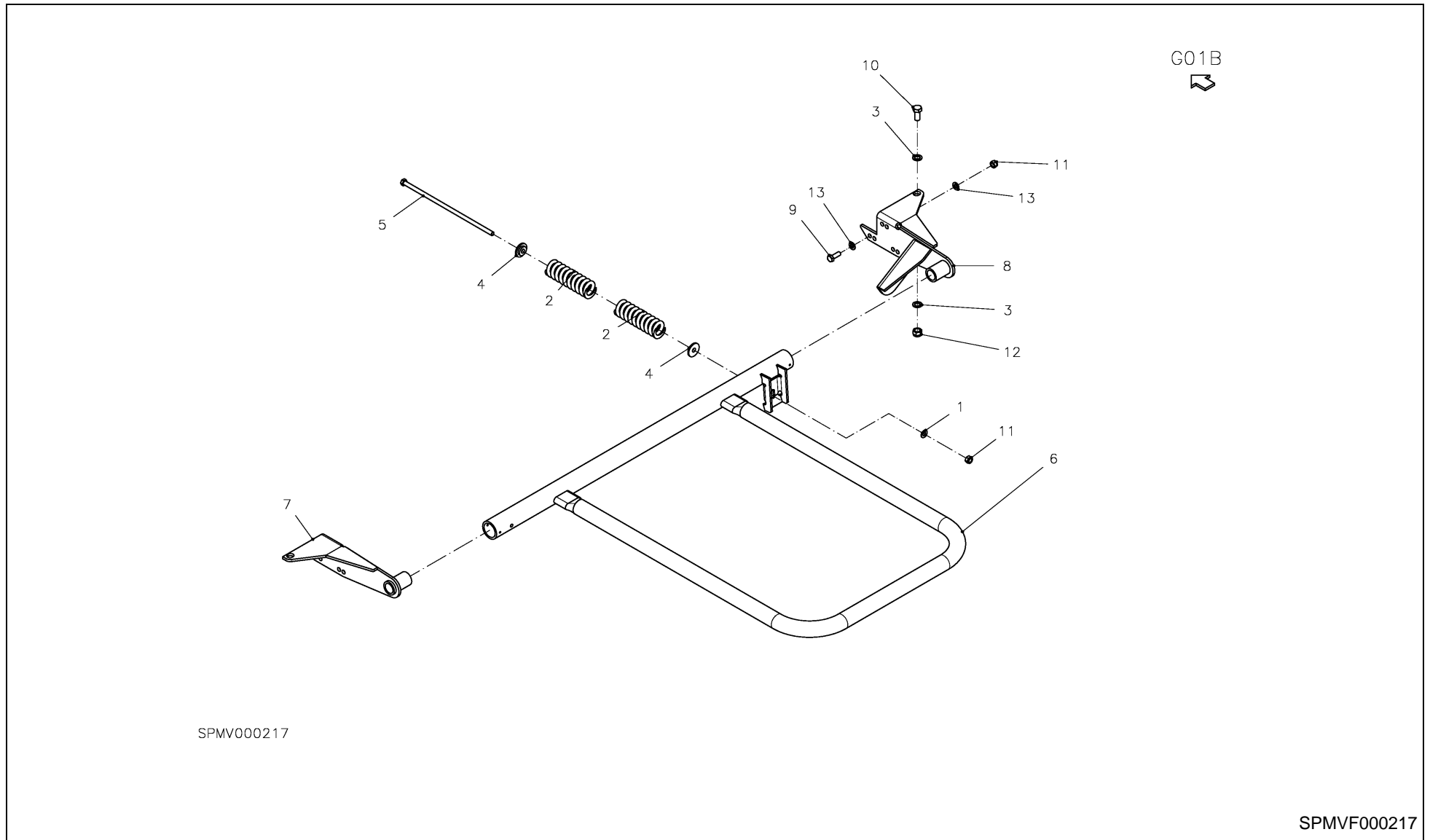
SPMVF000182

SPMVF000182

RF 125 R / OC14 / protective yoke step



PosNo.	Part No.	Qty.	Description	Remark
1	VF16652939.86	1	YOKE	
2	VF16652934.86	1	STEPS	
3	KG00474461	6	HEX. SCREW M10X35 8.8	
4	KG01267461	8	WASHER M10	
5	KG01068861	6	LOCK NUT M10 10	
6	VF06564448	1	CORD	
7	VGPZ160V	1	SPRING CLIP DIAM 3MM	
8	VF16615400	2	CAP	
9	VF16519134	4	FACING	

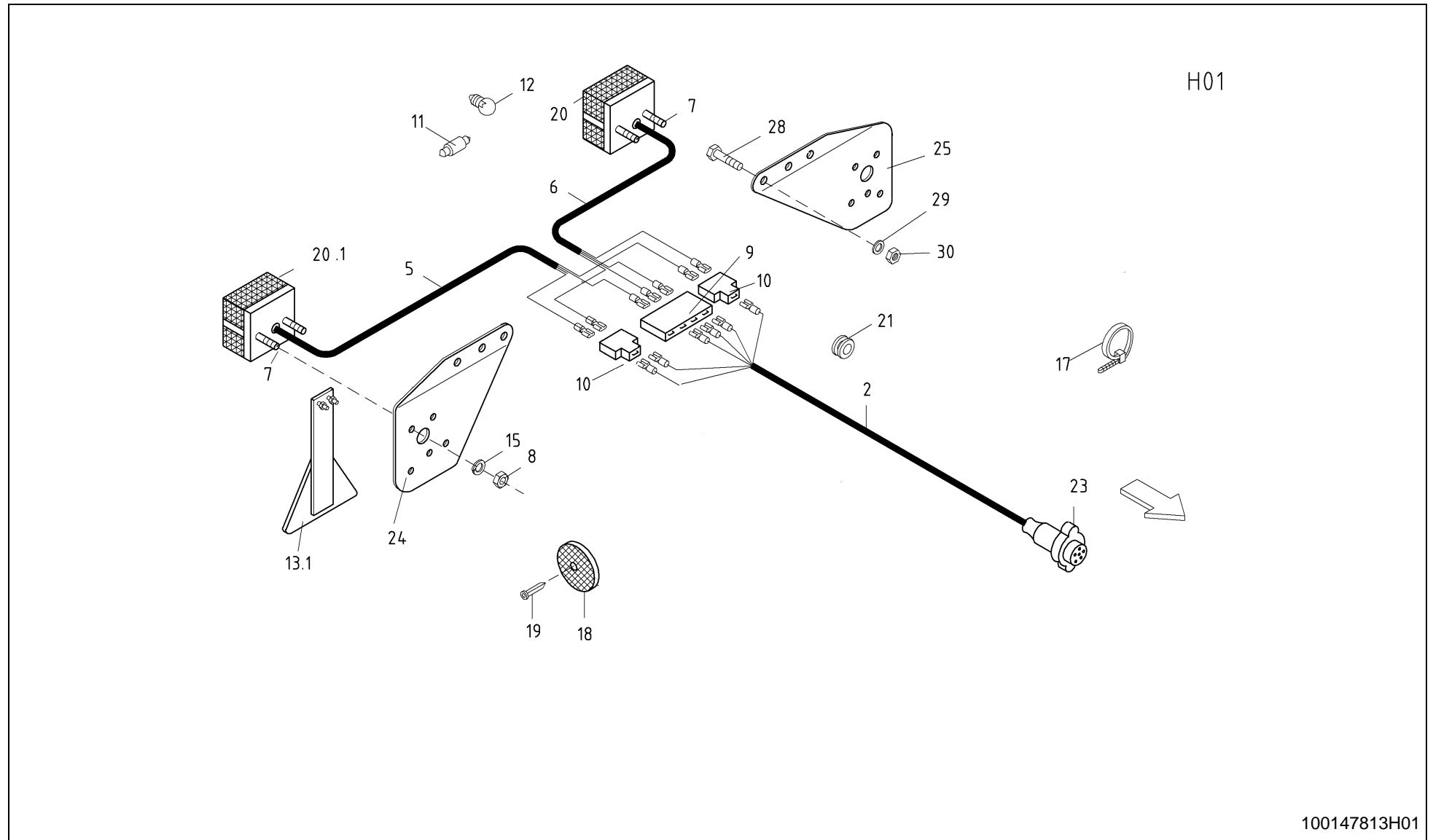




RF 125 R / OC14 / bale chute

PosNo.	Part No.	Qty.	Description	Remark
1	VF01116029	10	CUP-SPRING	
2	VF01142844	2	COMPRESSION SPRING	
3	KG01267761	4	WASHER M16	
4	VF16618304	2	WASHER	
5	VF16618305	1	HEX. HEAD SCREW	
6	VF16618306.86	1	RETAINER	
7	VF16652237.86	1	SUPPORT	
8	VF16652238.86	1	SUPPORT	
9	KG00476661	6	HEX. SCREW M12X35 8.8	
10	KG00480161	2	HEX. SCREW M16X35 8.8	
11	KG01068961	7	LOCK NUT M12 10	
12	KG01069161	2	LOCK NUT M16 10	
13	KG01267561	12	WASHER M12	

RF 125 R / OC14 / lighting system

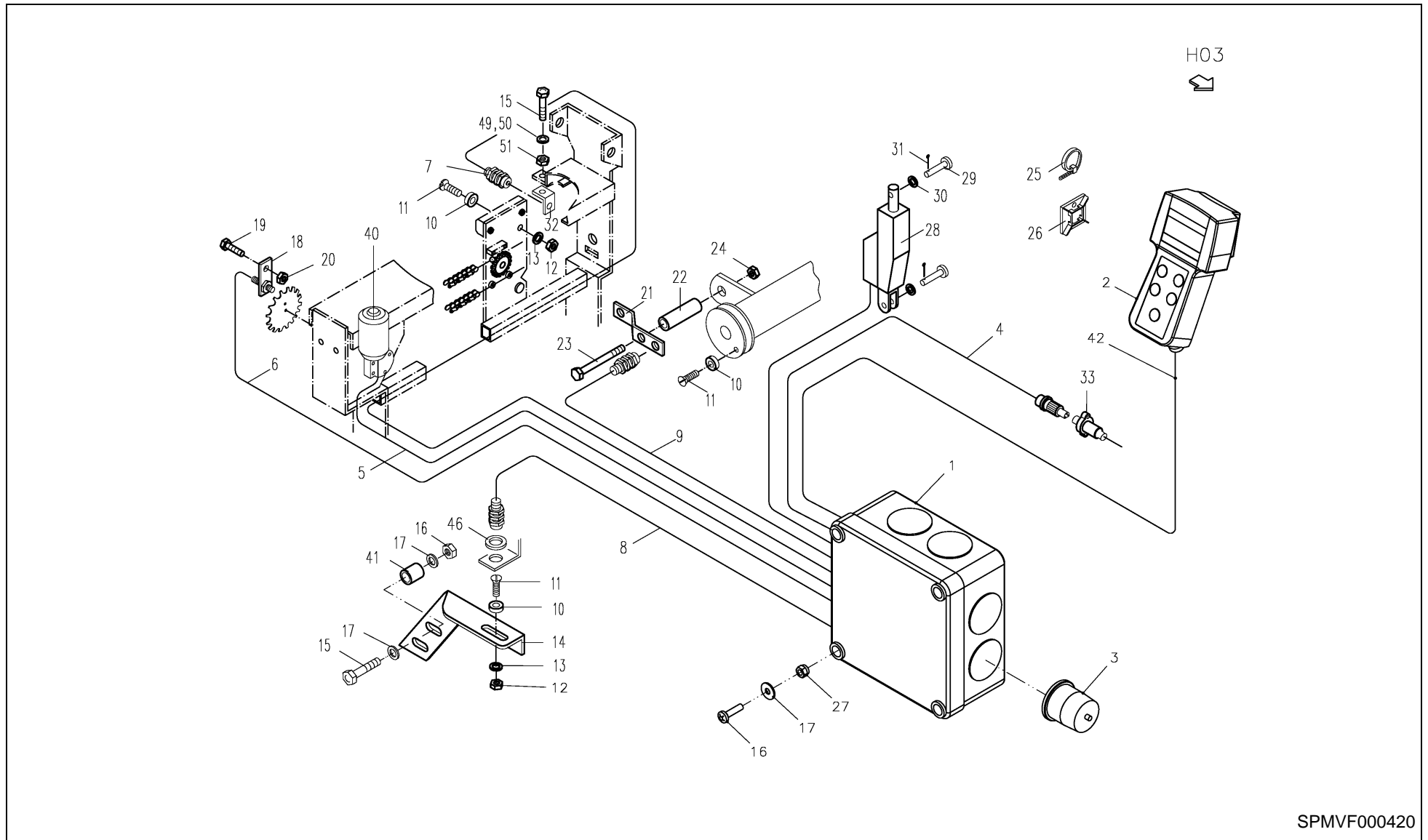




RF 125 R / OC14 / lighting system

PosNo.	Part No.	Qty.	Description	Remark
2	VF16618167	1	CABLE	
2	VF16618166	1	CABLE WITH PLUG	
5	VF16615895	1	CABLE	
6	VF16615894	1	CABLE	
7	VF01105524	4	CHEESE HEAD SCREW	
9	VF06213975	1	CABLE-CONNECTOR	
10	VF01162414	2	CABLE CONNECTOR	
11	VF01121409	2	BULB	
12	VF01102550	4	BULB	
13.1	VF06587242	2	REAR REFLECTOR	
15	KG01281461	4	SPRING WASHER M5	
17	VF06216479	10	CABLE BINDER	
18	VGND9889	6	REFLECTOR, YELLOW	
19	VF06214992	6	RIVET	
20	VF06217227	1	LAMP	
20.1	VF06217226	1	LAMP	
21	VF01237560	2	RUBBER GROMMET	
23	VGBR804	1	7-PIN CONNECTOR	
24	VF16614837.86	1	SUPPORT	
25	VF16614838.86	1	SUPPORT	
28	KG00471961	4	HEX. SCREW M8X20 8.8	
29	KG01267361	4	WASHER M8	
30	KG01067561	4	LOCK NUT M8 8	

RF 125 R / OC14 / electronic controler



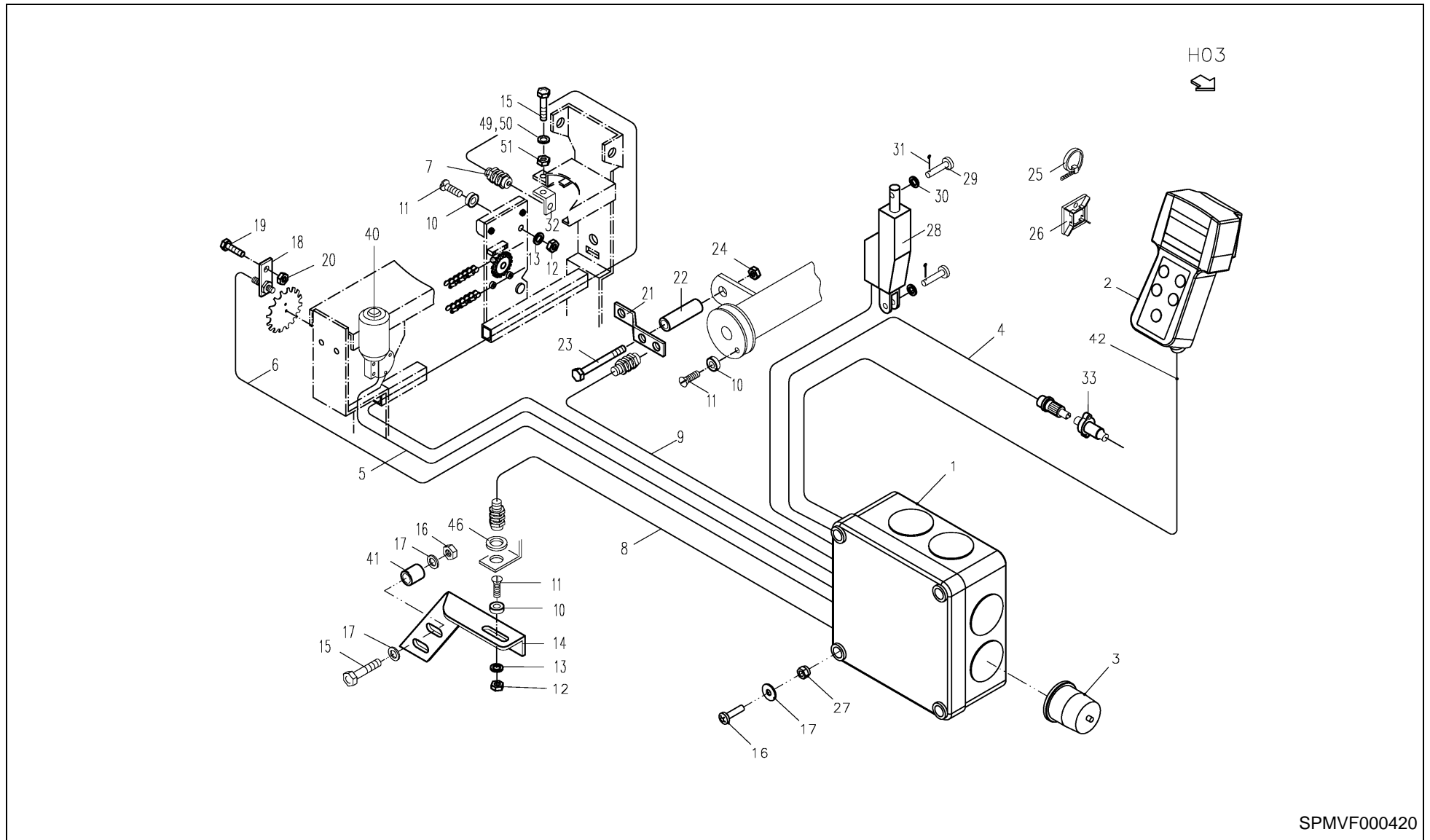
SPMVF000420



RF 125 R / OC14 / electronic controler

PosNo.	Part No.	Qty.	Description	Remark
1	VNB0572773	1	MACHINE BOX AUTO PLUS	
2	MT00000189	1	PILOTBOX AUTOPLUS NO CABLES	
3	VNB0279773	1	CONNECTOR ASSY FLASH L=0.04M	
4	VNB0274573	1	CABLE POWER L=6M	
5	VF16617537	1	CABLE MOTOR TWINE	
6	VF16615990	1	SENSOR TWINE ENGINE	
7	VNB0435973	1	SENSOR ASSY REED L=3.3M	
8	VF16616979	1	SENSOR-BALE CHUTE	
9	VNB0435973	1	SENSOR ASSY REED L=3.3M	
10	VF16514462	2	MAGNET/SOLENOID	
11	KG00891863	2	COUNTERSUNK HEAD SCREW M4X20 4.8	
12	KG01067161	2	LOCK NUT M4 8	
13	KG01267061	2	WASHER M4	
14	VF16652409.86	1	RETAINER	
15	KG00351261	3	HEX. BOLT M6X50 8.8	
16	KG00672863	6	CHEESE HEAD SCREW M4X16 4.8	
17	KG01267061	32	WASHER M4	
18	VF16615393	1	RETAINER	
19	KG00471761	1	HEX. SCREW M8X16 8.8	
20	KG01067561	1	LOCK NUT M8 8	
21	VF16617157.86	1	SUPPORT FOR SENSOR	
22	VF16617158	1	INTERMEDIATE TUBE	
23	KG00356461	1	HEX. BOLT M10X110 8.8	
24	KG01068861	1	LOCK NUT M10 10	
25	VF06216479	29	CABLE BINDER	
25	VF16619620	1	CABLE BINDER	
26	VF16613283	10	CABLE RETAINER	
27	KG01067161	4	LOCK NUT M4 8	
28	VF16658161	1	ACTUATOR	
29	VF06210002	2	PIN	
30	KG01267461	2	WASHER M10	
31	KG01249661	2	SPLIT PIN 3.2X16 ST	
32	VF16617574	1	ANGLE RETAINER	
33	VF16616665	1	CABLE TO SOCKET	
33	VF16518571	1	SOCKET	
33	VF01121332	1	FUSE	
40	VF16615352	1	EL. GEARMOTOR MR 62 12 V 1VEL	B E01A
41	VF16518997	2	SPACER TUBE	
42	MT00000190	1	CABLE STEERING L=8M	
46	VGND3030V	2	WASHER, PLAIN	

RF 125 R / OC14 / electronic controler



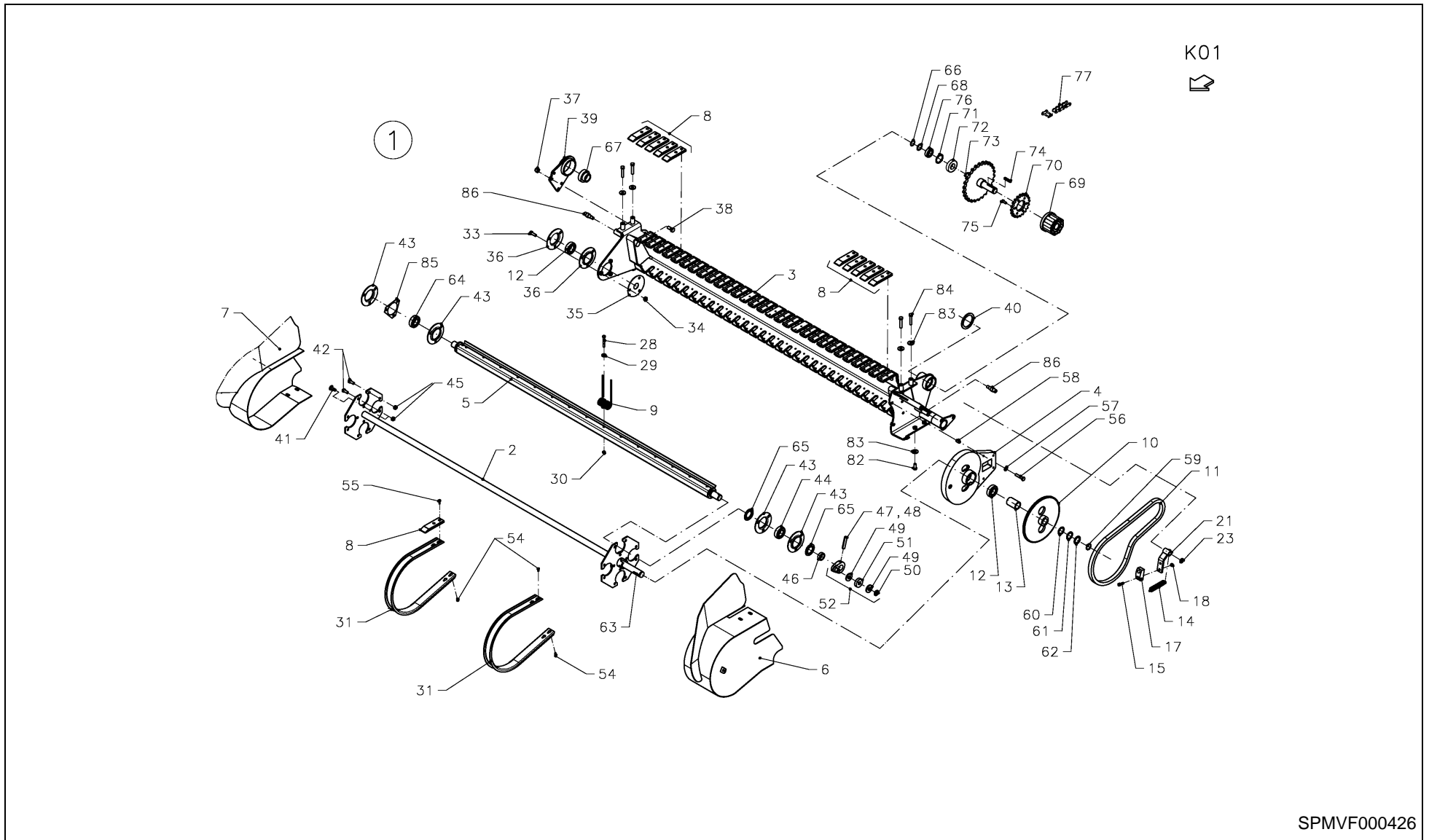
SPMVF000420

RF 125 R / OC14 / electronic controler



PosNo.	Part No.	Qty.	Description	Remark
49	KG01281561	2	SPRING WASHER M6	
50	KG01267261	2	WASHER M6	
51	KG01051761	2	HEX. NUT M6 8	

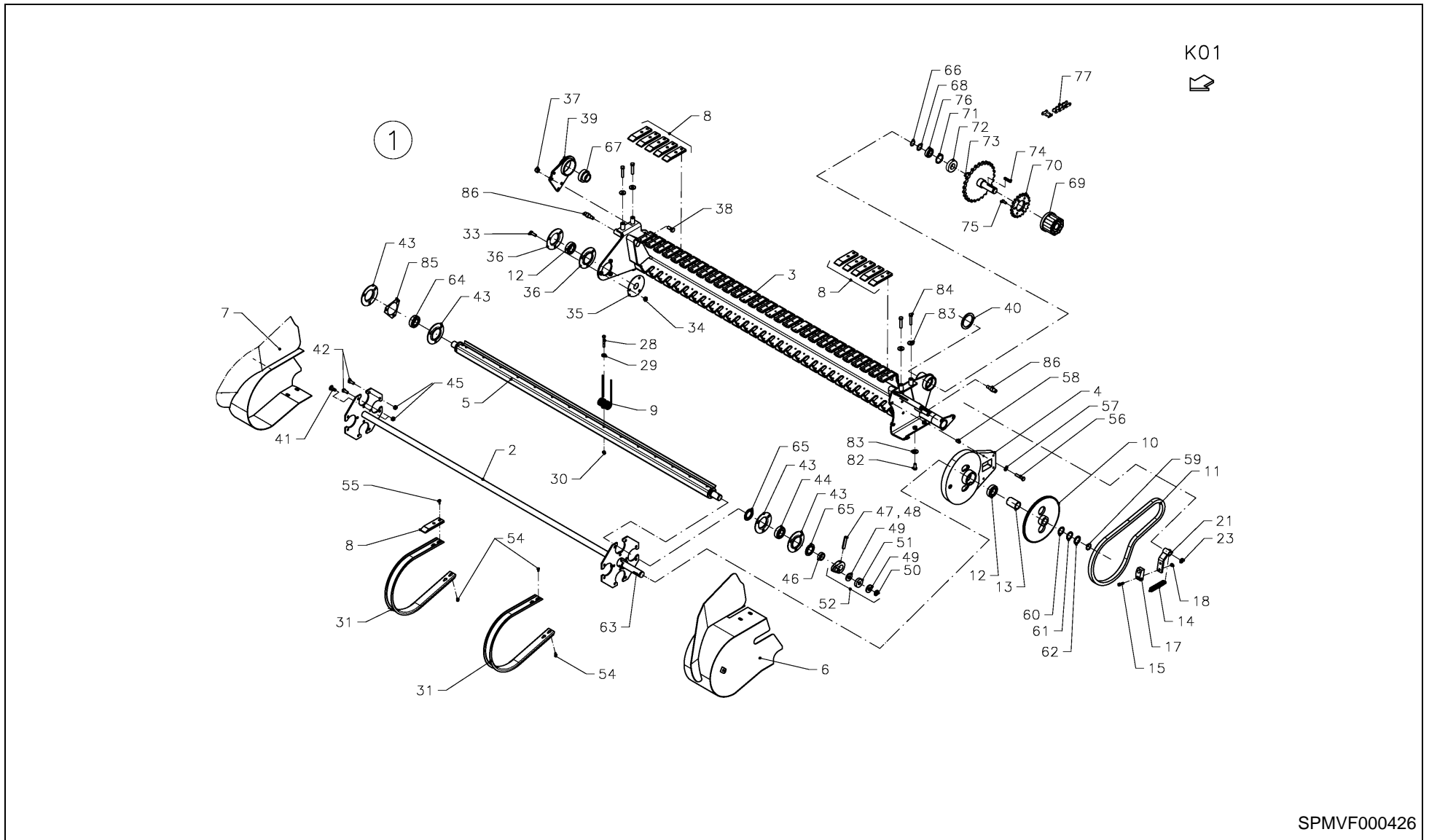
RF 125 R / OC14 / Pick-up:





RF 125 R / OC14 / Pick-up:

PosNo.	Part No.	Qty.	Description	Remark
1	VF16653600	1	PU OC14 MONT.	
2	VF16654388.86	1	DRIVE SHAFT	
3	VF16654305.86	1	SUPPORT	
4	VF16617225.86	1	GUIDE	
5	VF16654387.86	5	PIPE	
6	VF16651180.86	1	SIDE PART LEFT	
7	VF16651190.86	1	SIDE PART RIGHT	
8	VF16618012	10	PLASTIC SEGMENT	
9	VF16618868.86	75	FEDERZINKEN PU 4 WIND. MP 122	
10	VF16616460	1	SPROCKET	
11	VF16619824	1	CHAIN	
12	VF06215766	7	ROLLER BEARING	
13	VF16618011.86	1	SPACER TUBE	
14	VF06215540	1	TENSION SPRING	
15	KG00545161	1	CHEESE HEAD SCREW M8X25 8.8	
17	VF06246785	1	BLOC	
18	KG01067561	1	LOCK NUT M8 8	
21	VF16617203	1	TENSIONER CHAIN	
23	KG01107400	1	CIRCLIP-A 16 X 1	
28	KG00353661	75	HEX. BOLT M8X60 8.8	
29	KG01273561	75	WASHER M8	
30	VF01397863	75	HEX.NUT	
31	VF16617244	29	SHEET	
33	VF01177466	3	HEX.BOLT	
34	VF01126749	3	HEX.NUT	
35	VF16618811.86	1	WASHER	
36	VF06215783	2	BEARING FLANGE	
37	KG01067761	2	LOCK NUT M12 8	
38	KG00476561	2	HEX. SCREW M12X30 8.8	
39	VF16654925.86	1	SUPPORT	
40	VF16617206		SHIM	
41	KG00641561	5	CARRIAGE BOLT M10X30 8.8	
42	KG00474261	12	HEX. SCREW M10X25 8.8	
43	VF06215783	20	BEARING FLANGE	
44	VF06215766	5	ROLLER BEARING	
45	KG01067661	17	LOCK NUT M10 8	
46	VF16617910	5	INTERMEDIATE TUBE	
47	VG61.05.04	5	SPANSTIFT 10X65	
48	KG01190062	5	TENSION PIN 6X70	
49	VF06214938	10	NILOS-RING	

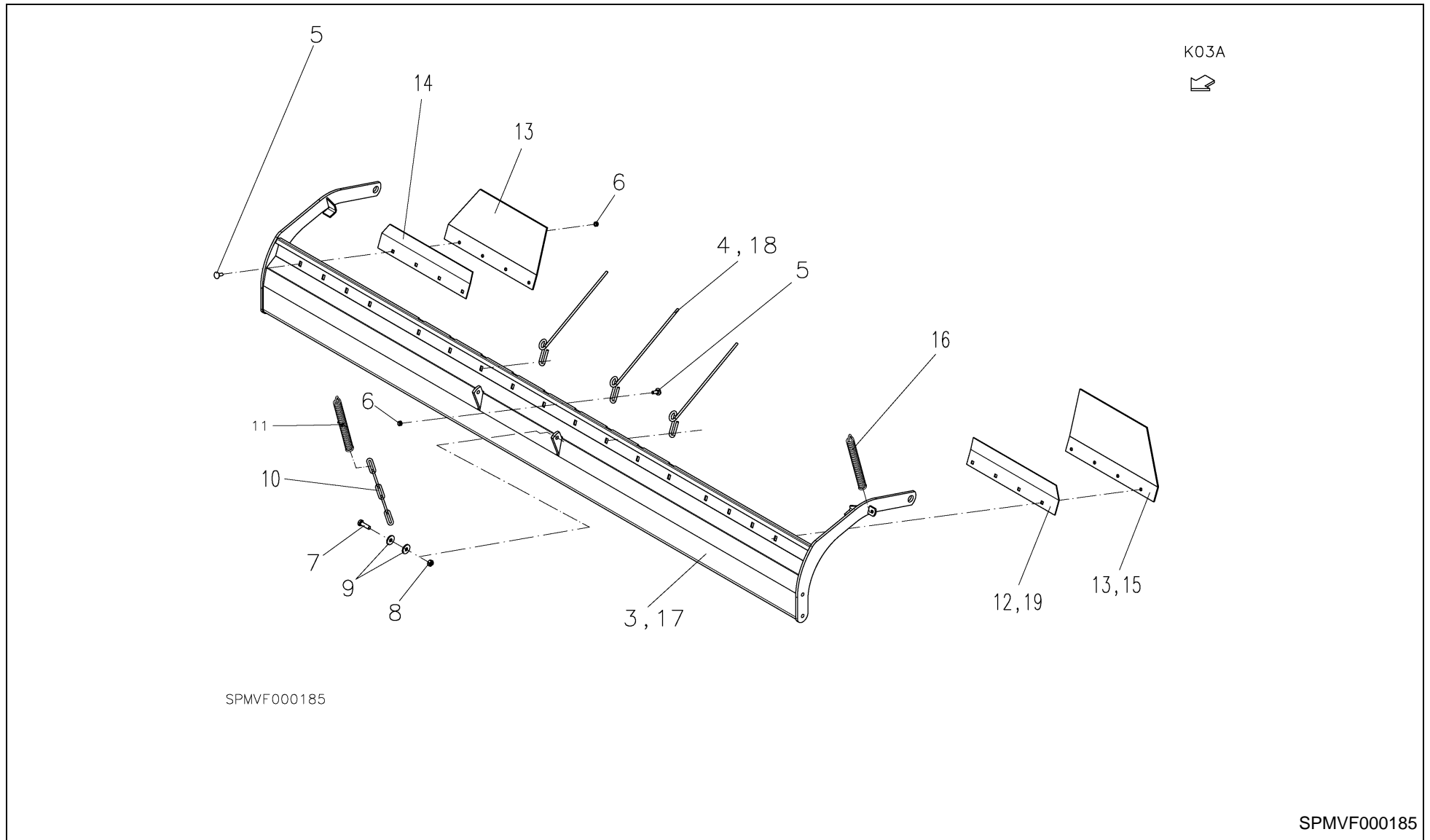




RF 125 R / OC14 / Pick-up:

PosNo.	Part No.	Qty.	Description	Remark
50	KG01107500	5	CIRCLIP-A 17 X 1	
51	VF06215027	5	ROLLER	
52	VF16615203.86	5	CONTROL ARM	
54	VF06273854	100	HEX. HEAD SCREW	
55	VF01104181	24	CYLINDR. SCREW	
56	VF06209483	4	HEX.HEAD SCREW	
57	KG01267461	4	WASHER M10	
58	VF01157427	2	DOWEL PIN	
59	KG01108862	2	CIRCLIP-A 30 X 1.5	
60	VGMT00310	2	SHIM SET S-X30.2X38	
61	VF06214481	4	SPACER	
62	VGND3138V	4	RING	
63	KG01306900	1	KEY 8X7X32	
64	VF16655049	5	TIGHTENING BEARING DIN 626 RAE 30 NPPB	
65	VF01170940	10	NILOS-RING	
66	KG01108362	1	CIRCLIP-A 25 X 1.2	
67	VF16619111	2	BEARING	
68	VF06214477	1	SPACER	
69	VF16617905.86	1	CLUTCH	
70	VF16618017.86	1	SPROCKET	
71	KG01128700	6	CIRCLIP-B 47 X 1.75	
72	VF16617978	1	BALL BEARING	
73	VF16618729.86	1	SPROCKET	
74	KG01307200	3	KEY 8X7X45	
75	VF01173381	1	HEX.HEAD SCREW	
76	KG01356100	1	BALL BEARING 6005-2RS	
77	VF16618449	1	CHAIN	
82	VGND1481V	4	BOLT, LOCK, SPEC.	
83	VGMT152V	8	WASHER, PLAIN 3X11X30	
84	VF06209251	4	HEX. HEAD SCREW	
85	VF16655023	1	WASHER	
86	VF16654756	1	BOLT	

RF 125 R / OC14 / pick-up baffle plate



SPMVF000185

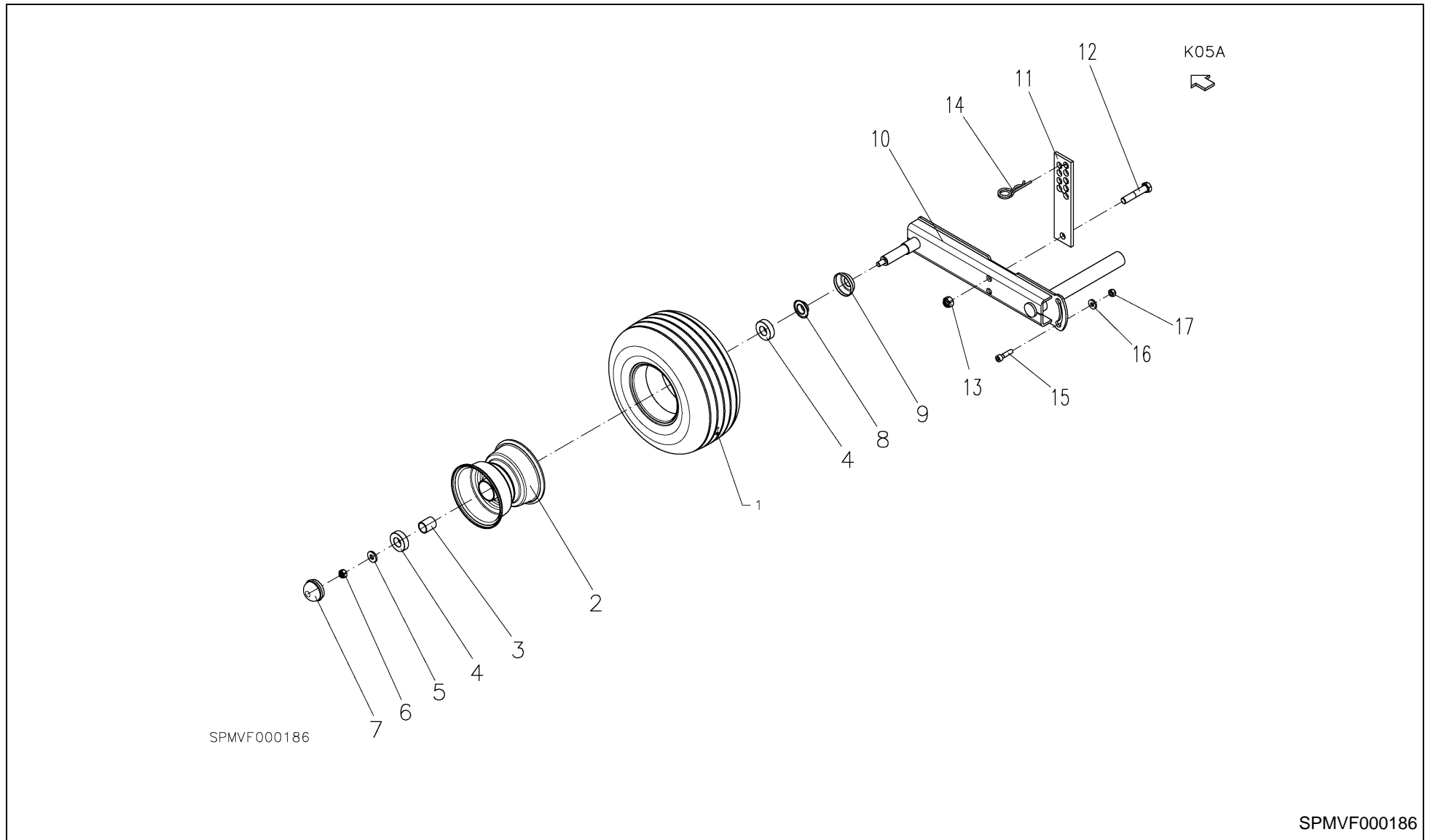
SPMVF000185



RF 125 R / OC14 / pick-up baffle plate

PosNo.	Part No.	Qty.	Description	Remark
3	VF16654389.86	1	DEFLECTOR PLATE	OC 14
4	VF16514266	3	SPRING TINE	
5	KG00639061	12	CARRIAGE BOLT M8X20 8.8	
6	VF01397863	12	HEX.NUT	
7	KG00474461	2	HEX. SCREW M10X35 8.8	
8	KG01067661	2	LOCK NUT M10 8	
9	VGMT152V	4	WASHER, PLAIN 3X11X30	
10	VF01397910	2	CHAIN/TRACK	
11	VF01397931	2	DRAW SPRING	
12	VF16517258.86	1	BAFFLE LEFT	
13	VF16517301	1	TAPE/STRAP/ RIGHT	
14	VF16517302.86	1	BAFFLE RIGHT	
15	VF16517257	1	TAPE/STRAP/BAND LEFT	
16	VF01141494	1	TENSION SRING	
17	VF16652199.86	1	BAFFLE PLATE	OC 23
18	VF16618436	3	SPRING TINE	OC 23
19	VF16619481.86	1	BAFFLE	OC 23

RF 125 R / OC14 / contact roller

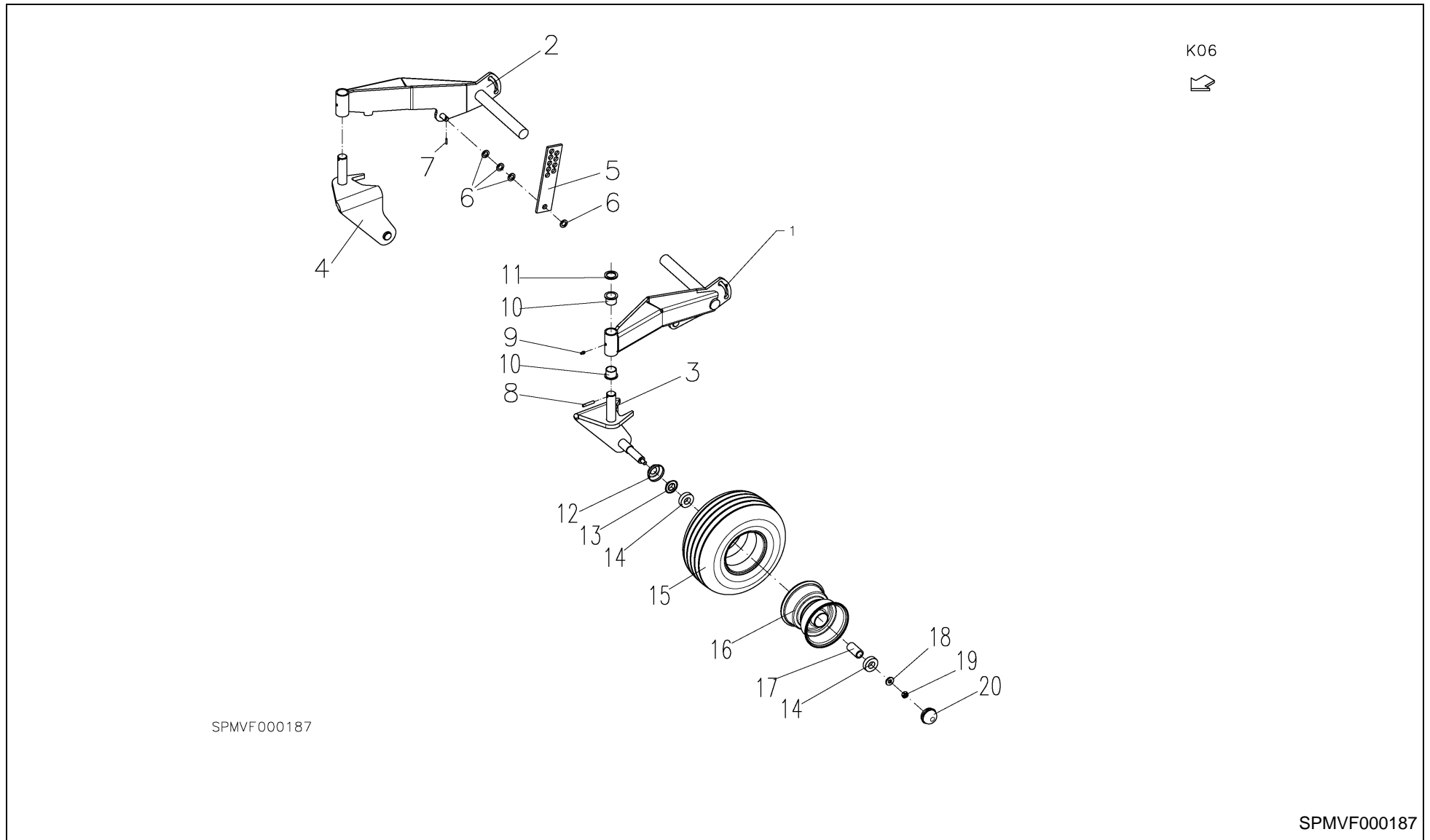




RF 125 R / OC14 / contact roller

PosNo.	Part No.	Qty.	Description	Remark
1	VF01141364	2	TYRE	
2	VF06564735.98	2	RIM	
3	VF06249879	2	SPACER	
4	KG01379500	4	ALL BEARING 6205-RS	
5	VGTH100V	2	RING	
6	KG01067761	2	LOCK NUT M12 8	
7	VF06580546	2	CAP	
8	VF06567492	2	GASKET	
9	VF16622598.98	2	CAP	
10	VF16652374.86	2	AXLE LINK	
11	VF16652392.86	2	PERFORATED RAIL	
12	KG00362561	2	HEX. BOLT M16X80 8.8	
13	KG01067961	2	LOCK NUT M16 8	
14	VGPZ160V	2	SPRING CLIP DIAM 3MM	
15	VF01397983	2	CHEESE-HEAD SCREW	
16	KG01273661	2	WASHER M10	
17	KG01067661	2	LOCK NUT M10 8	

RF 125 R / OC14 / contact roller turnable

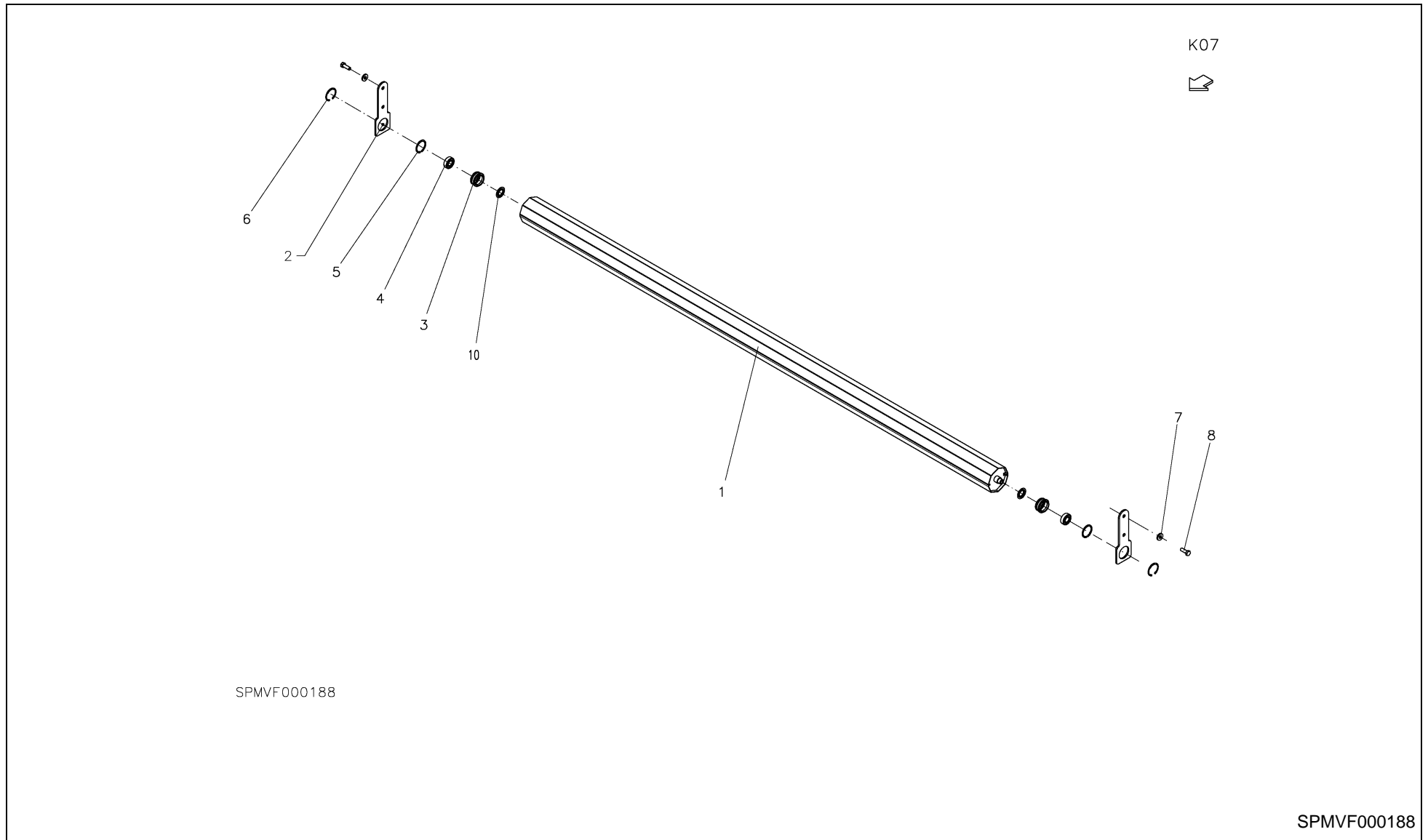


RF 125 R / OC14 / contact roller turnable



PosNo.	Part No.	Qty.	Description	Remark
1	VF16654682.86	1	AXLE LINK LEFT	
2	VF16654683.86	1	AXLE LINK RIGHT	
3	VF16654690.86	1	WHEEL AXLE LEFT	
4	VF16654691.86	1	WHEEL AXLE RIGHT	
5	VF16652392.86	1	PERFORADED RAIL	
6	VF16652392.86	1	PERFORADED RAIL	
7	VF01102494	1	DOWEL PIN	
8	KG01191962	1	TENSION PIN 8X45	
9	VGND9813V	1	GREASE NIPPLE	
10	VF06229502	1	BUSH	
11	VF06214421	1	WASHER	
12	VF16622598.98	1	CAP	
13	VF06567492	1	GASKET	
14	KG01379500	1	ALL BEARING 6205-RS	
15	VF01141364	1	TYRE	
16	VF06564735.98	1	RIM	
17	VF06249879	1	SPACER	
18	VGTH100V	1	RING	
19	KG01067761	1	LOCK NUT M12 8	
20	VF06580546	1	CAP	

RF 125 R / OC14 / pick-up roller

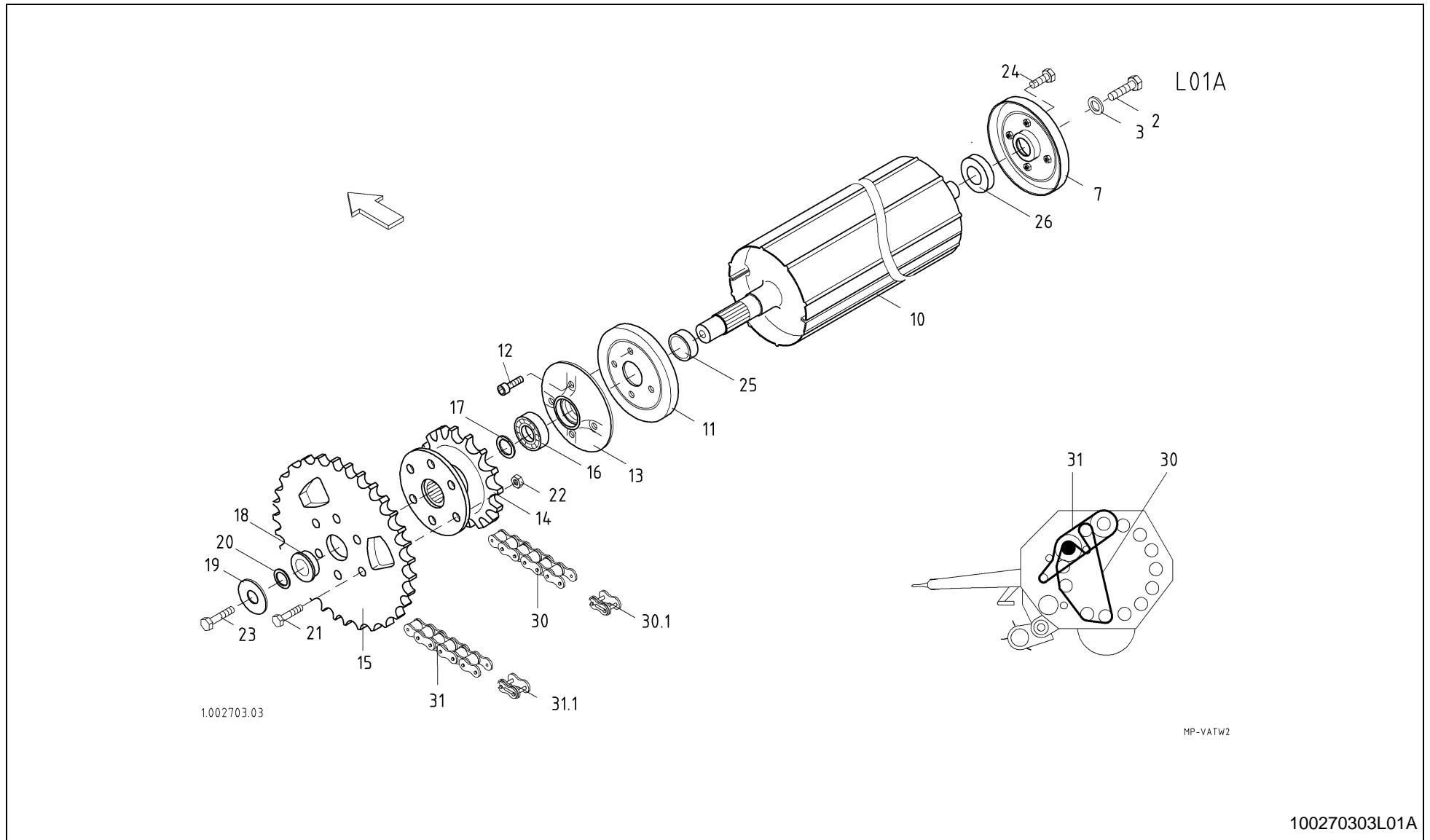




RF 125 R / OC14 / pick-up roller

PosNo.	Part No.	Qty.	Description	Remark
1	VF16652161.86	1	PU-DRUM	OC 23
2	VF16652187.86	2	HOUSING	
3	VF16655020	2	BEARING RING	
4	KG01475400	2	BALL BEARING 6203-2RS C3	
5	KG01128062	2	CIRCLIP-B 40 X 1.75	
6	KG01110200	2	CIRCLIP-A 47 X 1.75	
7	KG01273661	4	WASHER M10	
8	VF01177466	4	HEX.BOLT	
9	VF16654361.86	1	PU-DRUM	OC 14
10	VF16655014	2	RING 6203 JV	

RF 125 R / OC14 / drive roll.in front

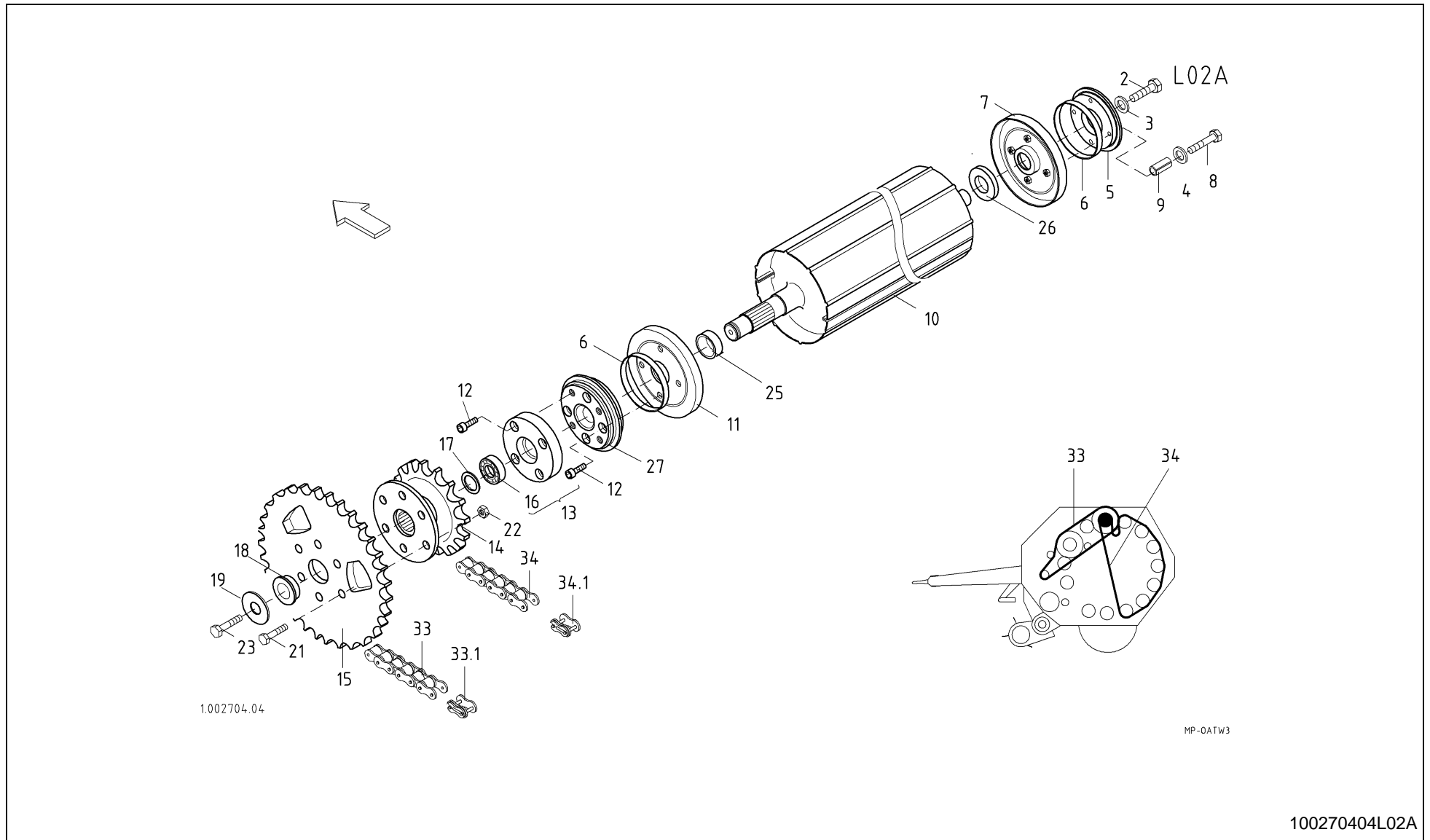




RF 125 R / OC14 / drive roll.in front

PosNo.	Part No.	Qty.	Description	Remark
2	VGND1403V	1	BOLT, LOCK, SPEC.	
3	VF16616863	1	WASHER	
7	VF16519601	1	ANTI WRAPPING DEVICE	
10	VF16617841.86	1	DRIVE ROLLER	
11	VF16617845	1	ANTI WRAPPING DEVICE	
12	VF01397983	4	CHEESE-HEAD SCREW	
13	VF16519627	1	BEARING HOUSING	
14	VF16616317.86	1	SPROCKET	
15	VF16616315.86	1	SPROCKET	X13
16	VF01141063	1	BEARING	X13
17	VF01133287	3	WASHER	
18	VF16618596	1	RING	
19	VF16616318	1	WASHER	
20	VF06214240	2	WASHER	
21	KG00355461	5	HEX. BOLT M10X50 8.8	
22	KG01067661	5	LOCK NUT M10 8	
23	KG00458961	1	HEX. SCREW M16X40 10.9	
24	VF01178250	4	HEX. HEAD SCREW	
25	VF16616319	1	BEARING RACE	
26	VF16609814	1	SEAL RING	
30	VF16616517	1	CHAIN 16B-1X168E DIN8187	
30.1	VGND9295		LINK, SIMPL.	
31	VF16616519	1	CHAIN 16B-1X152 DIN8187	
31.1	VGND9295		LINK, SIMPL.	

RF 125 R / OC14 / drive roller back

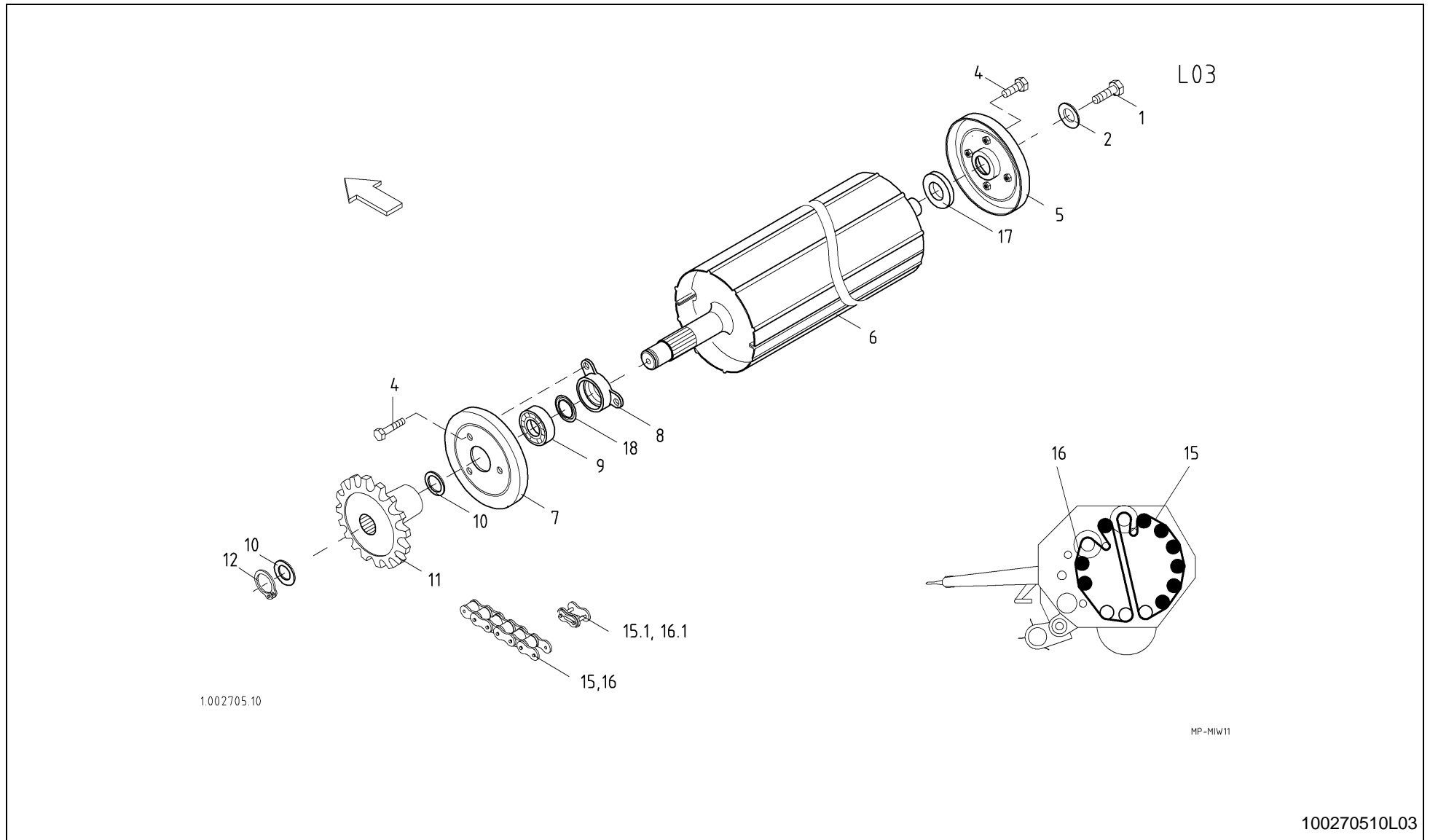




RF 125 R / OC14 / drive roller back

PosNo.	Part No.	Qty.	Description	Remark
2	VGND1403V	1	BOLT, LOCK, SPEC.	
3	VF16616863	1	WASHER	
4	KG01273661	4	WASHER M10	
5	VF16617849.86	1	SUPPORT RIGHT	
6	VF16616873	2	BUSH	
7	VF16519601	1	ANTI WRAPPING DEVICE	
8	VF06209225	4	HEX HEAD SCREW	
9	VF16617848	4	DOWEL PIN	
10	VF16617841.86	1	DRIVE ROLLER	
11	VF16617845	1	ANTI WRAPPING DEVICE	
12	VF01397983	8	CHEESE-HEAD SCREW	
13	VF16618867	1	BEARING HOUSING	
14	VF16616317.86	1	SPROCKET	
15	VF16616315.86	1	SPROCKET	
16	VF16618774	1	BALL BEARING	
17	VF01133287	2	WASHER	
18	VF16618596	1	RING	
19	VF16616318	1	WASHER	
21	KG00355461	5	HEX. BOLT M10X50 8.8	
22	KG01067661	5	LOCK NUT M10 8	
23	KG00458961	1	HEX. SCREW M16X40 10.9	
25	VF16618786	1	BEARING RACE	
26	VF16609814	1	SEAL RING	
27	VF16618784.86	1	SUPPORT	
33	VF16616519	1	CHAIN 16B-1X152 DIN8187	
33.1	VGND9295		LINK, SIMPL.	
34	VF16616515	1	CHAIN 16B-1X188E DIN8187	
34.1	VGND9295		LINK, SIMPL.	

RF 125 R / OC14 / drive roller

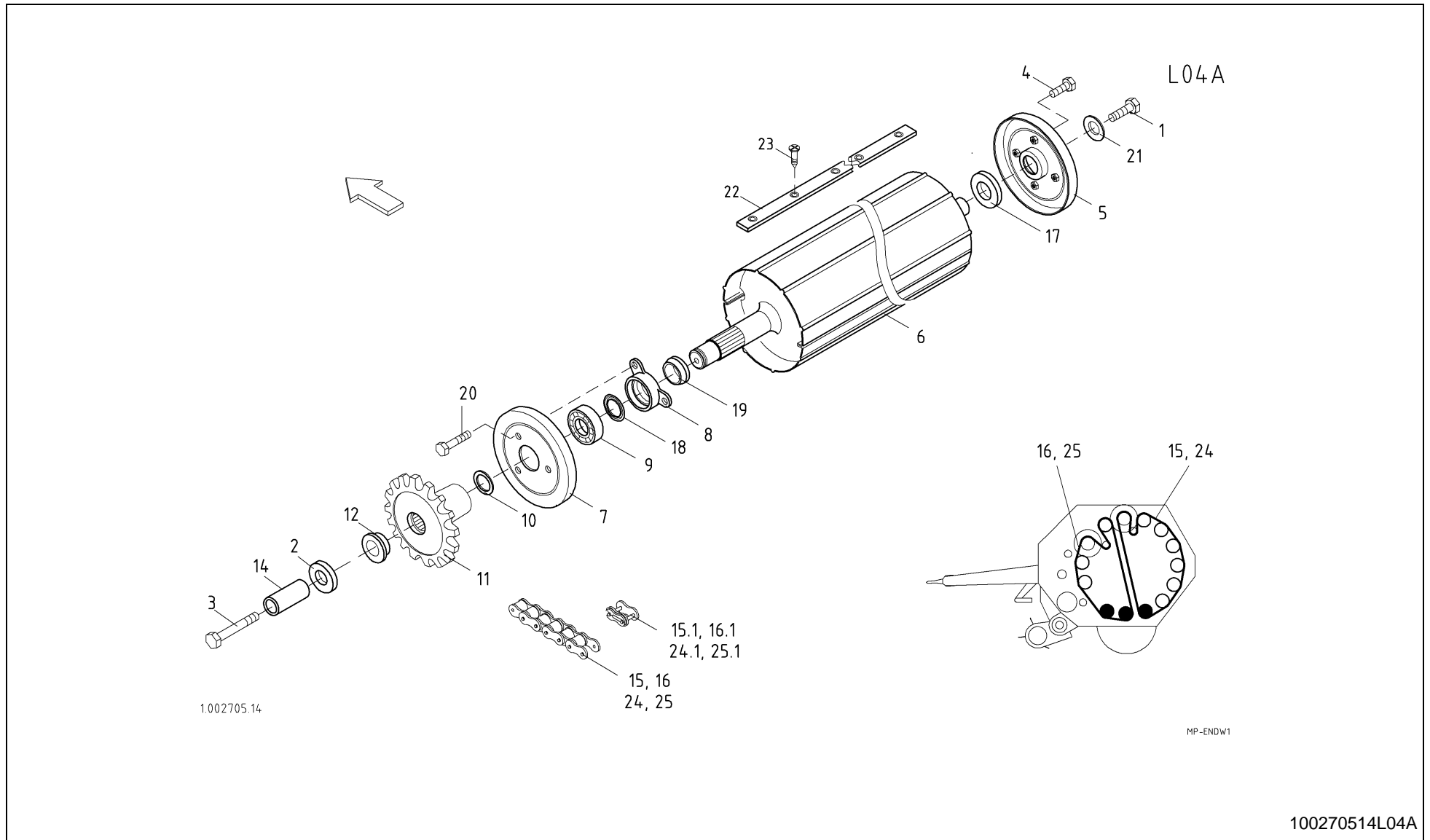




RF 125 R / OC14 / drive roller

PosNo.	Part No.	Qty.	Description	Remark
1	VGND1403V	9	BOLT, LOCK, SPEC.	
2	VF16616863	9	WASHER	
4	VF01178250	63	HEX. HEAD SCREW	
5	VF16519601	9	ANTI WRAPPING DEVICE	
6	VF16617975.86	9	ROLLER	
7	VF16616861	9	GUARD	
8	VF16519628	9	BEARING HOUSING	
9	VF16617979	9	BALL BEARING	X8
10	VGTP0011	54	SHIM SET	
11	VF16616857.86	9	SPROCKET	
12	KG01110162	9	CIRCLIP-A 45 X 1.75	
15	VF16616515	1	CHAIN 16B-1X188E DIN8187	
15.1	VGND9295	1	LINK, SIMPL.	
16	VF16616517	1	CHAIN 16B-1X168E DIN8187	
16.1	VGND9295		LINK, SIMPL.	
17	VF16609814	9	SEAL RING	
18	VF16618298	9	NILOS-RING	X8

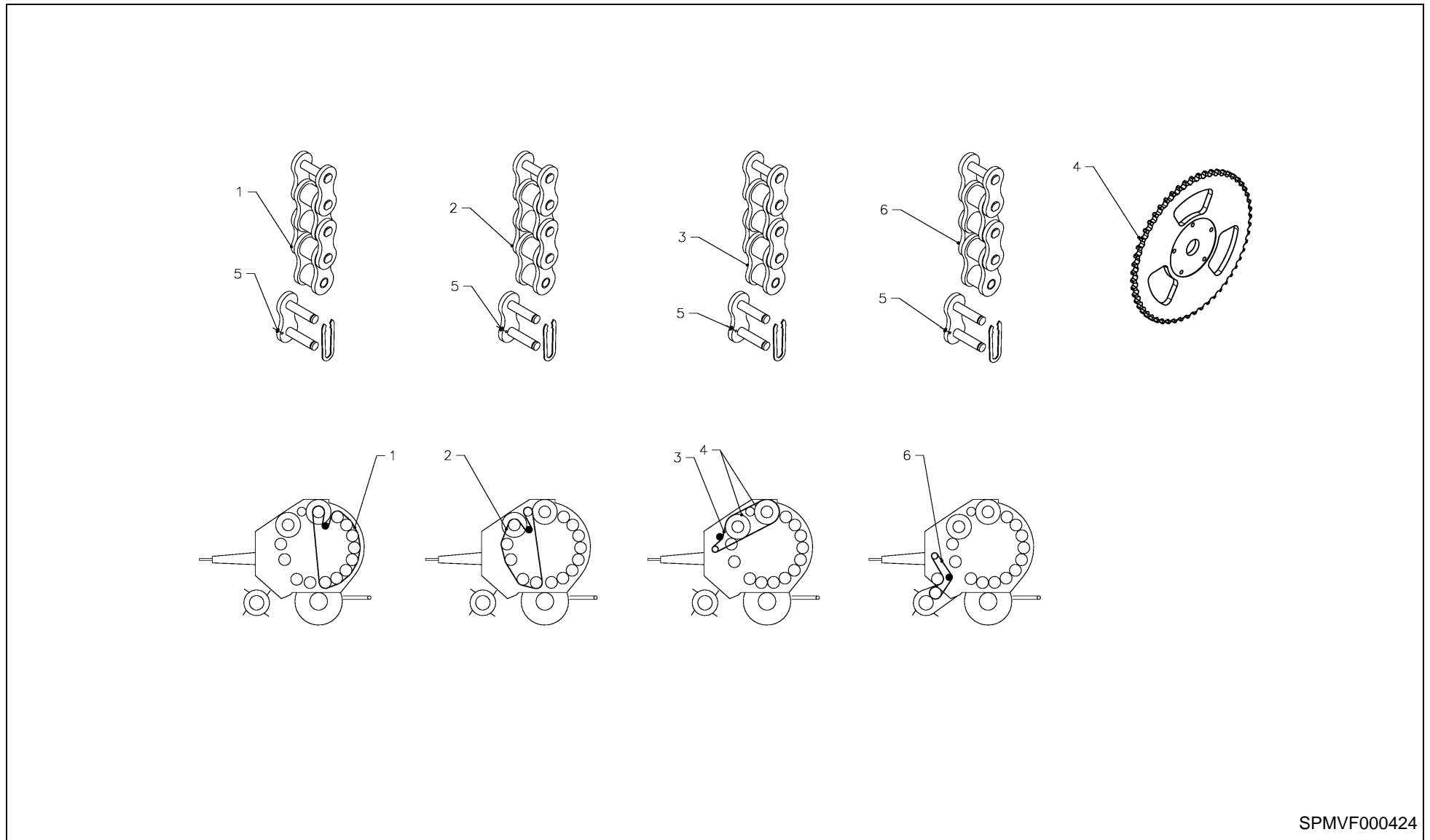
RF 125 R / OC14 / end roller





RF 125 R / OC14 / end roller

PosNo.	Part No.	Qty.	Description	Remark
1	VGND1403V	3	BOLT, LOCK, SPEC.	
2	VF16617816	3	WASHER	
3	VF06209249	3	HEX.HEAD SCREW	
4	VF01178250	12	HEX. HEAD SCREW	
5	VF16519601	3	ANTI WRAPPING DEVICE	
6	VF16617950.86	3	END ROLLER	
7	VF16616861	3	GUARD	
8	VF16519628	3	BEARING HOUSING	
9	VF16617979	3	BALL BEARING	X8
10	VGTP0011	9	SHIM SET	
11	VF16617953.86	3	SPROCKET	
12	VF16618592	3	RING	
14	VF16619564	3	SPACER TUBE	
15	VF16616515	1	CHAIN 16B-1X188E DIN8187	
15.1	VGND9295	1	LINK, SIMPL.	
16	VF16616517	1	CHAIN 16B-1X168E DIN8187	
16.1	VGND9295	1	LINK, SIMPL.	
17	VF16609814	3	SEAL RING	
18	VF16618298	1	NILOS-RING	X8
19	VF16615947	3	BEARING RACE	
20	VGND1481V	9	BOLT, LOCK, SPEC.	
21	VF16616863	3	WASHER	
22	VF06571857	2	STRIP	
23	KG00846361	12	COUNTERSUNK HEAD SCREW M6X16 10.9	



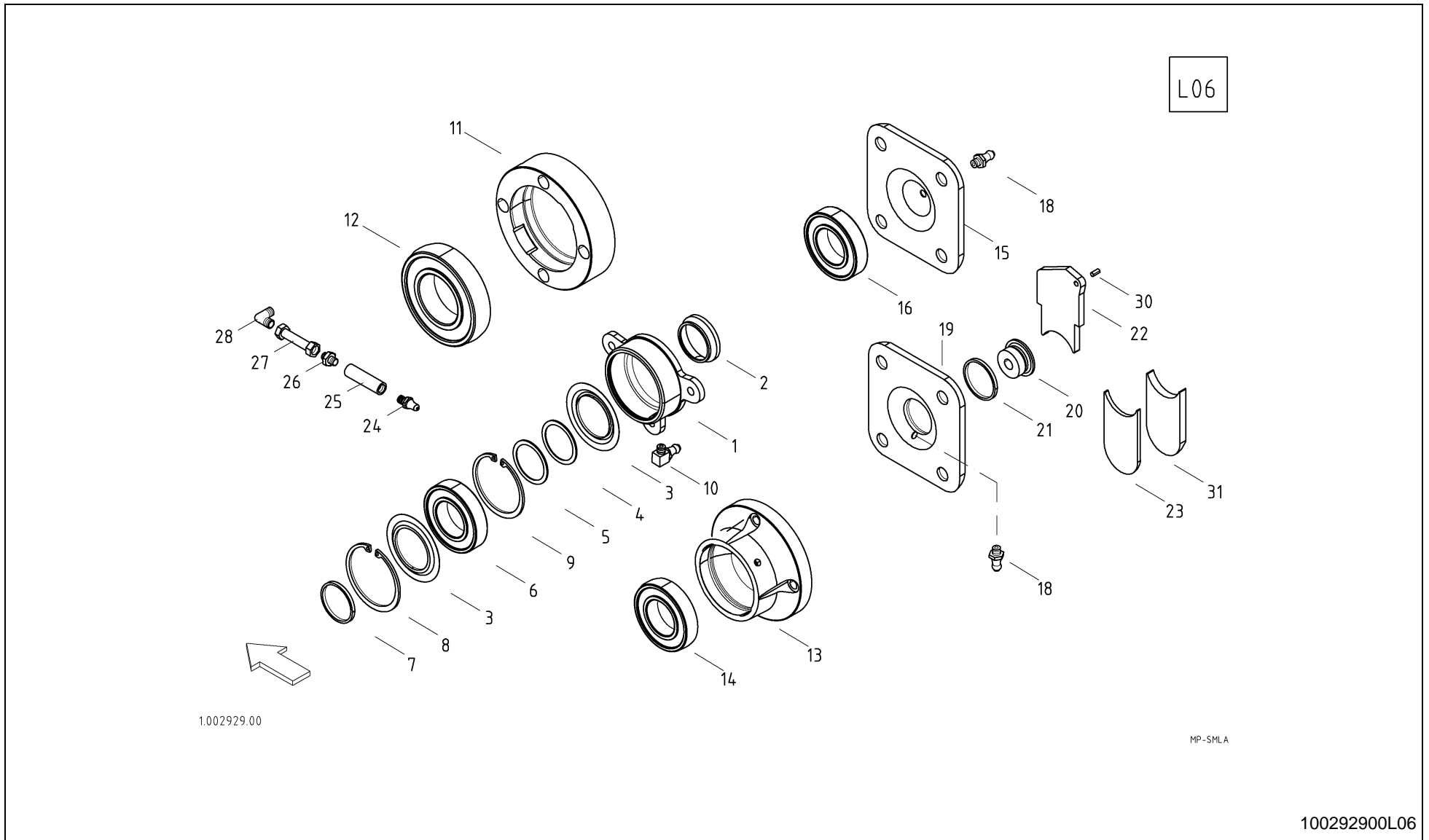
SPMVF000424

RF 125 R / OC14 / PROFI CHAINS



PosNo.	Part No.	Qty.	Description	Remark
1	VF16654667	2	CHAIN 80 H1 - 188 GL	
2	VF16654666	2	CHAIN 80H1 - 168 GL.	
3	VF16654668	2	CHAIN 80H1- 152	
4	VF16657083	2	CHAIN WHEEEL Z=55	
5	VF01142130	4	CHAIN LOCK	
6	VF16618531	2	ROLLER CHAIN	

RF 125 R / OC14 / bearings with lubrication (OPTION)





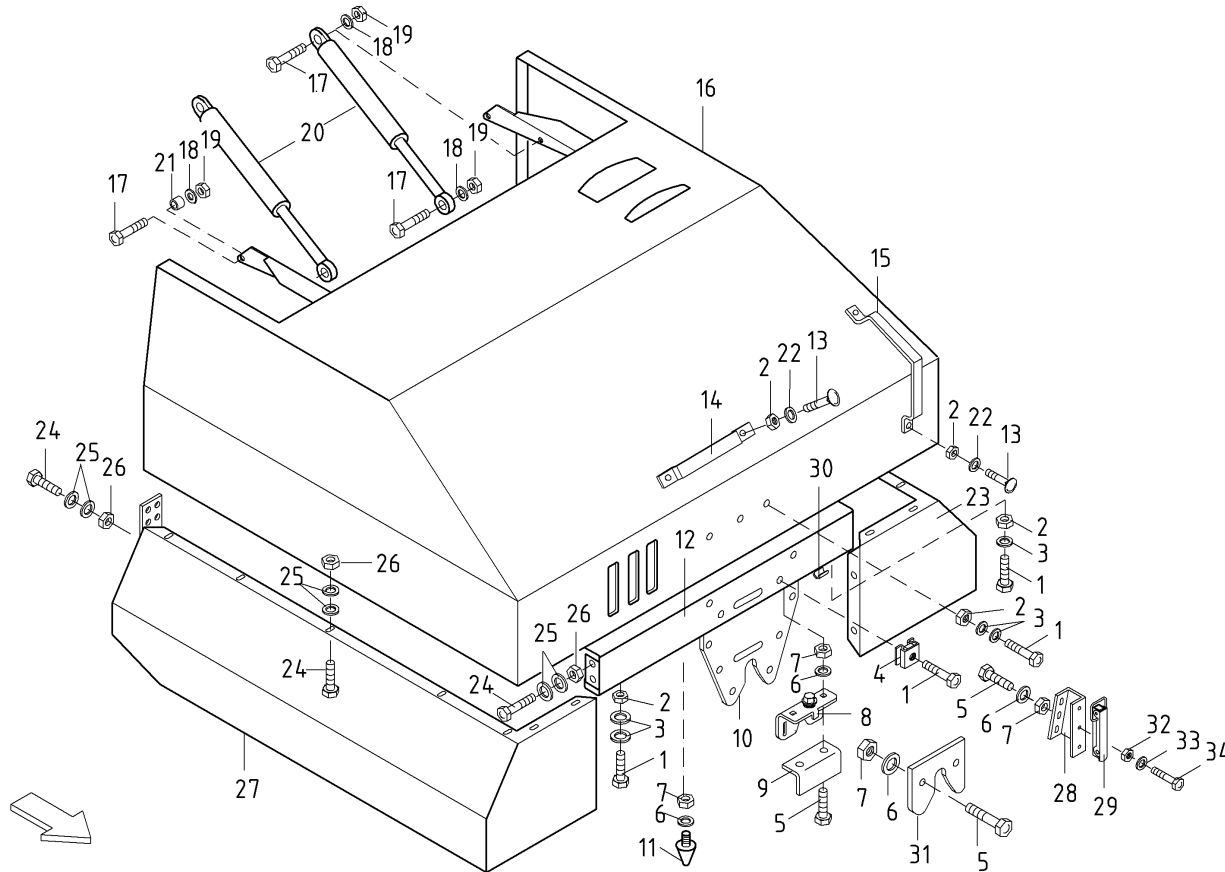
RF 125 R / OC14 / bearings with lubrication (OPTION)

PosNo.	Part No.	Qty.	Description	Remark
1	VF16650721.86	12	BEARING	
2	VF16651235	15	RING	
3	VF16618298	12	NILOS-RING	
4	VGTP0011	12	SHIM SET	
5	VGTP0011	12	SHIM SET	
6	VF16617979	12	BALL BEARING	
7	VF16651247	12	WASHER	
8	KG01131100	12	CIRCLIP-B 85 X 3	
9	KG01130900	12	CIRCLIP-B 80 X 2.5	
10	VGND98026V	12	GREASE NIPPLE	
11	VF16650709.86	1	HOUSING	
12	VF16614126	1	BALL BEARING	
13	VF16651074.86	1	HOUSING	
14	VF16651240	1	BALL BEARING	
15	VF16650712	14	LID	
16	KG01477100	15	BALL BEARING 6206-RS C3	
18	VF01120694	1	GREASE NIPPLE	
19	VF16650713	1	LID	
21	VF06214722	1	O-RING	
22	VF16651051.86	1	FILLER PLATE	
23	VF16651770	1	FILLER PLATE	
24	VGND9004V	1	GREASE NIPPLE M6X180 DEGR	
25	VF16617775	1	TUBE	
26	VF01397760	1	SOCKET/ADAPTER	
27	VF16652203	1	PRESSURE PIPE	
28	VF16614436	1	ELBOW	
30	KG01189062	1	TENSION PIN 6X16	
31	VF16652753	1	FILLER PLATE	

RF 125 R / OC14 / covering cap



M01



1.002706.03

MP-VRKLB

100270603M01



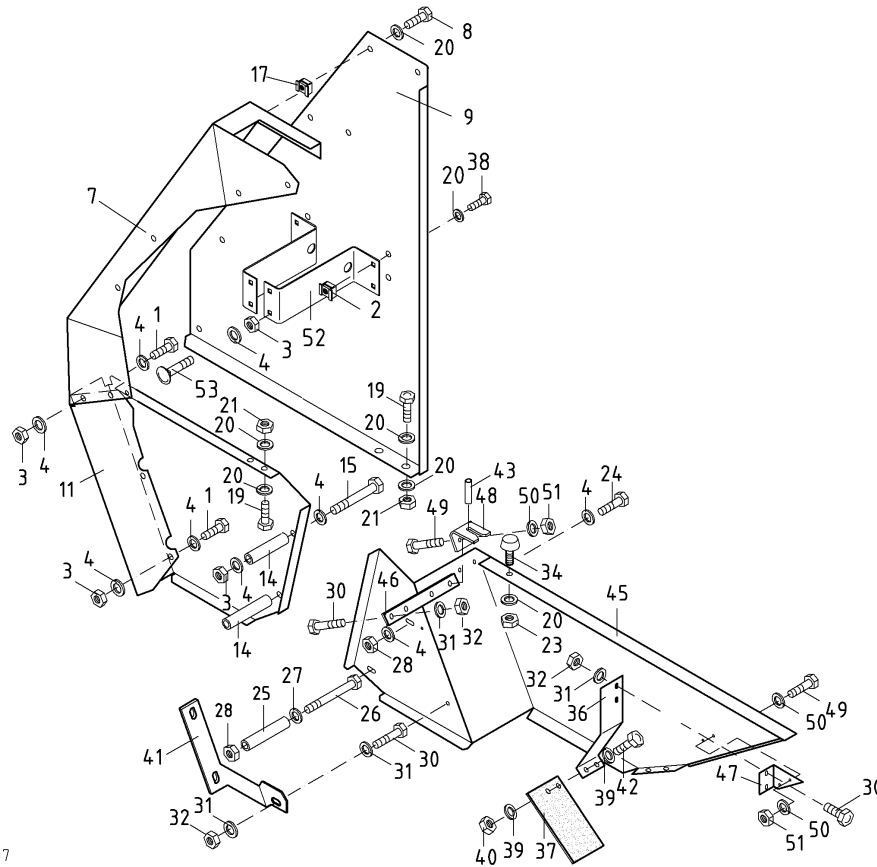
RF 125 R / OC14 / covering cap

PosNo.	Part No.	Qty.	Description	Remark
1	KG00468761	17	HEX. SCREW M6X16 8.8	
2	KG01067361	13	LOCK NUT M6 8	
3	VGND3034V	26	WASHER, PLAIN 24/6MM	
4	VF16617009	5	NUT	
5	KG00471961	7	HEX. SCREW M8X20 8.8	
6	KG01267361	9	WASHER M8	
7	KG01067561	7	LOCK NUT M8 8	
8	VF16611457	1	FOLDING FASTENER	
9	VF16617603	1	COVER	
10	VF16618110.86	1	GUIDE PLATE	
11	VF16615755	2	RUBBER BUFFER	
12	VF16618109.94	1	FRONT PLATE	
13	KG00637161	4	CARRIAGE BOLT M6X20 8.8	
14	VF16618108.86	1	HANDLE	
15	VF16615783.86	1	HANDLE	
16	VF16618104.94	1	HOOD	
17	KG00336061	6	HEX. BOLT M10X40 10.9	
18	KG01267461	12	WASHER M10	
19	KG01067661	6	LOCK NUT M10 8	
20	VF16617004	2	GAS SPRING	
21	VF16617089	2	TUBE	
22	VGND3034V	4	WASHER, PLAIN 24/6MM	
23	VF16617016.94	1	COVERING PIECE	
24	KG00468761	20	HEX. SCREW M6X16 8.8	
25	KG01267261	40	WASHER M6	
26	KG01067361	20	LOCK NUT M6 8	
27	VF16617036.94	1	COVERING PIECE	
28	VF16655436.86	1	SUPPORT	
29	VF16618772	1	TIGHTENING LEVER	
30	VF16618769	1	PLATE	
31	VF16618793	1	GUIDE PLATE	
32	KG01067161	3	LOCK NUT M4 8	
33	KG01267061	3	WASHER M4	
34	KG00466161	3	HEX. SCREW M4X16 8.8	

RF 125 R / OC14 / panelling left



M02



1.002707.07

MP-VRKL6

100270707M02



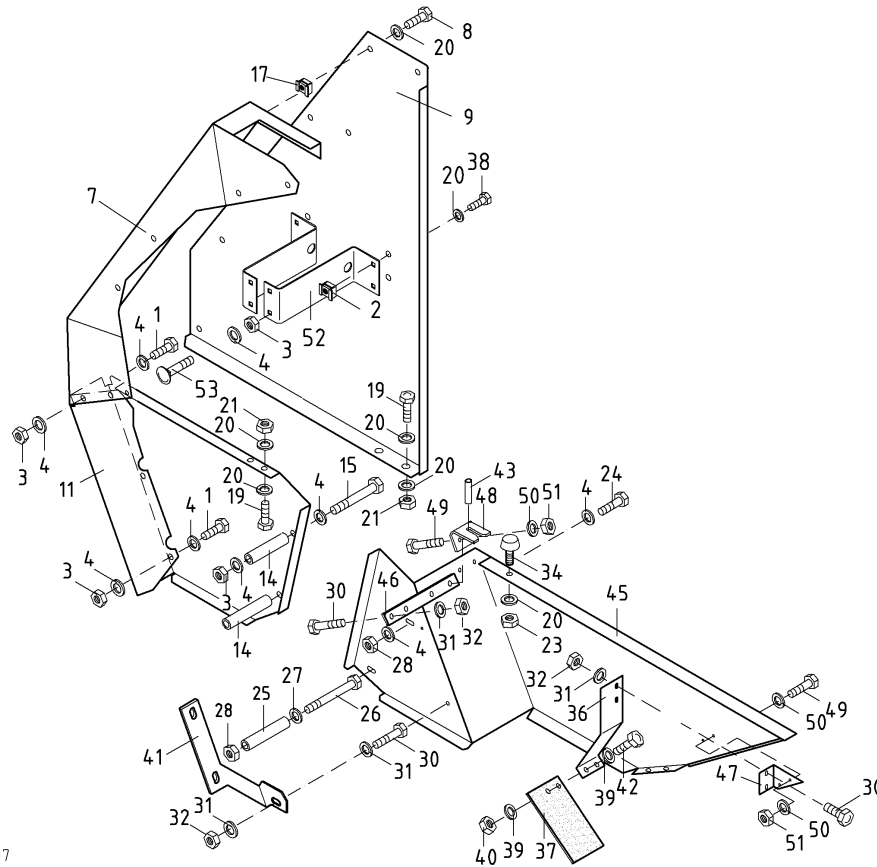
RF 125 R / OC14 / panelling left

PosNo.	Part No.	Qty.	Description	Remark
1	KG00471961	9	HEX. SCREW M8X20 8.8	
2	VF16618456	4	NUT	
3	KG01067561	11	LOCK NUT M8 8	
4	KG01267361	22	WASHER M8	
7	VF16617964.86	1	LATERAL QUARD	
8	KG00468761	6	HEX. SCREW M6X16 8.8	
9	VF16617992.86	1	LATERAL SHEET	
11	VF16617966.86	1	COVERING PIECE	
14	VF16617076	2	SPACER TUBE	
15	KG00353661	2	HEX. BOLT M8X60 8.8	
17	VF16617009	6	NUT	
19	KG00468761	4	HEX. SCREW M6X16 8.8	
20	KG01267261	10	WASHER M6	
21	KG01067361	2	LOCK NUT M6 8	
23	KG01067361	1	LOCK NUT M6 8	
24	KG00471961	1	HEX. SCREW M8X20 8.8	
25	VF16617077	1	SPACER TUBE	
26	KG00354661	2	HEX. BOLT M8X140 8.8	
27	KG01267361	4	WASHER M8	
28	KG01067561	4	LOCK NUT M8 8	
30	KG00471961	5	HEX. SCREW M8X20 8.8	
31	KG01267361	10	WASHER M8	
32	KG01067561	5	LOCK NUT M8 8	
34	VF01142826	2	RUBBER PAD	
36	VF16617605.86	1	COVER	
37	VF16617604	1	RUBBER STRIP	
38	KG00468761	4	HEX. SCREW M6X16 8.8	
39	KG01267261	10	WASHER M6	
40	KG01067361	5	LOCK NUT M6 8	
41	VF16618124.86	1	RETAINER LEFT	
42	KG00468961	2	HEX. SCREW M6X20 8.8	
43	VF16618129	1	PLASTIC TUBE	
45	VF16650371.86	1	LATERAL QUARD	
46	VF16650373.86	1	RETAINER	
47	VF16655434.86	1	SUPPORT LEFT	
48	VF16650374.86	1	GUIDE PLATE	
49	KG00472161	6	HEX. SCREW M8X25 8.8	
50	VGND3030V	12	WASHER, PLAIN	
51	KG01067561	6	LOCK NUT M8 8	
52	VF16650936.86	2	RETAINER	

RF 125 R / OC14 / panelling left



M02



1.002707.07

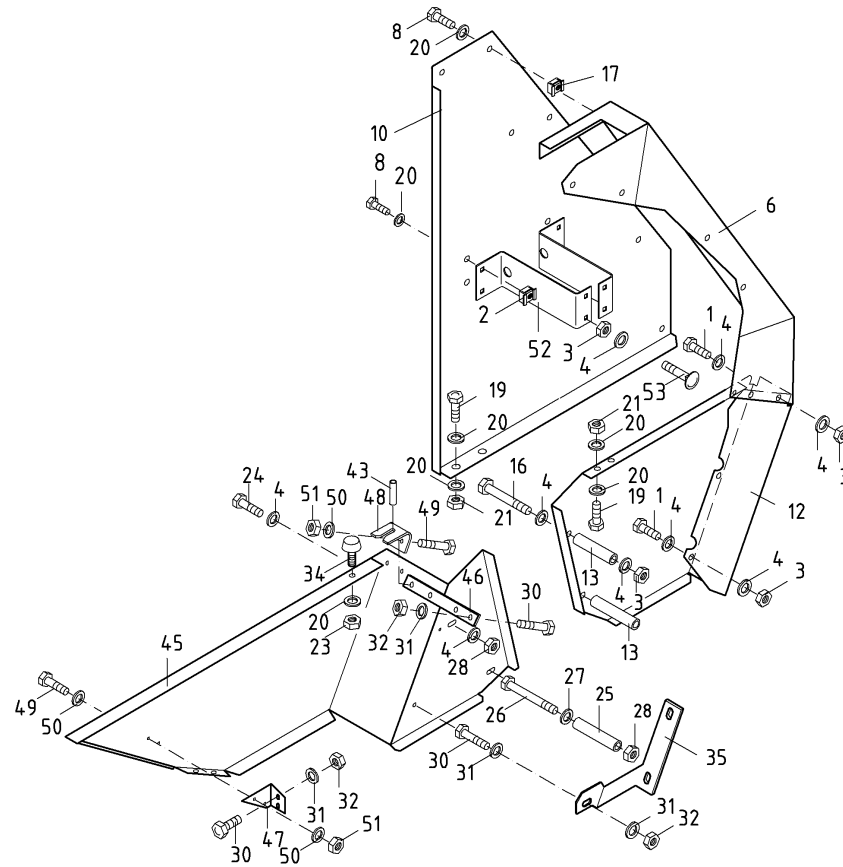
MP-VRKL6

100270707M02

RF 125 R / OC14 / panelling left



PosNo.	Part No.	Qty.	Description	Remark
53	KG00639061	4	CARRIAGE BOLT M8X20 8.8	



M03

1.002708.07

MP-VRKL7

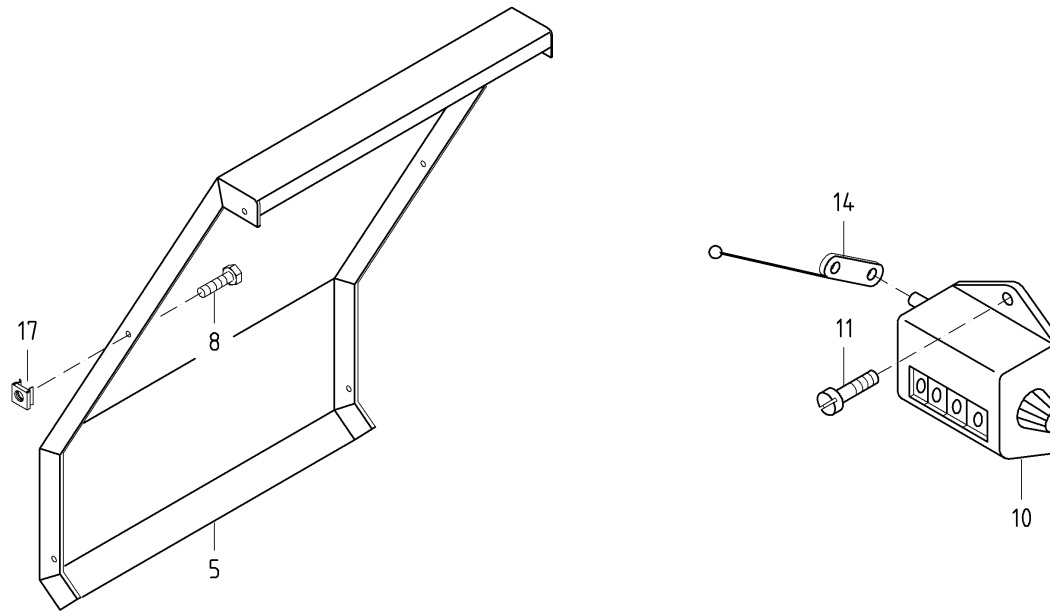
100270807M03



RF 125 R / OC14 / panelling right

PosNo.	Part No.	Qty.	Description	Remark
1	KG00471961	9	HEX. SCREW M8X20 8.8	
2	VF16618456	4	NUT	
3	KG01067561	11	LOCK NUT M8 8	
4	KG01267361	22	WASHER M8	
6	VF16617965.86	1	LATERALE SHEET RIGHT	
8	KG00468761	10	HEX. SCREW M6X16 8.8	
10	VF16617993.86	1	LATERAL SHEET RIGHT	
12	VF16617967.86	1	COVERING PIECE	
13	VF16617077	2	SPACER TUBE	
16	KG00354661	2	HEX. BOLT M8X140 8.8	
17	VF16617009	6	NUT	
19	KG00468761	4	HEX. SCREW M6X16 8.8	
20	KG01267261	10	WASHER M6	
21	KG01067361	2	LOCK NUT M6 8	
23	KG01067361	1	LOCK NUT M6 8	
24	KG00471961	1	HEX. SCREW M8X20 8.8	
25	VF16617077	1	SPACER TUBE	
26	KG00354661	1	HEX. BOLT M8X140 8.8	
27	KG01267361	4	WASHER M8	
28	KG01067561	2	LOCK NUT M8 8	
30	KG00471961	4	HEX. SCREW M8X20 8.8	
31	KG01267361	8	WASHER M8	
32	KG01067561	4	LOCK NUT M8 8	
34	VF01142826	1	RUBBER PAD	
35	VF16618125.86	1	RETAINER RIGHT	
43	VF16618129	1	PLASTIC TUBE	
45	VF16650381.86	1	LATERALE SHEET RIGHT	
46	VF16650373.86	1	RETAINER	
47	VF16650382	1	RETAINER RIGHT	
47	VF16655435.86	1	SUPPORT RIGHT	
48	VF16650374.86	1	GUIDE PLATE	
49	KG00472161	6	HEX. SCREW M8X25 8.8	
50	VGND3030V	12	WASHER, PLAIN	
51	KG01067561	6	LOCK NUT M8 8	
52	VF16650936.86	2	RETAINER	
53	KG00639061	4	CARRIAGE BOLT M8X20 8.8	

M04



1.002709.01

MP-VKDU

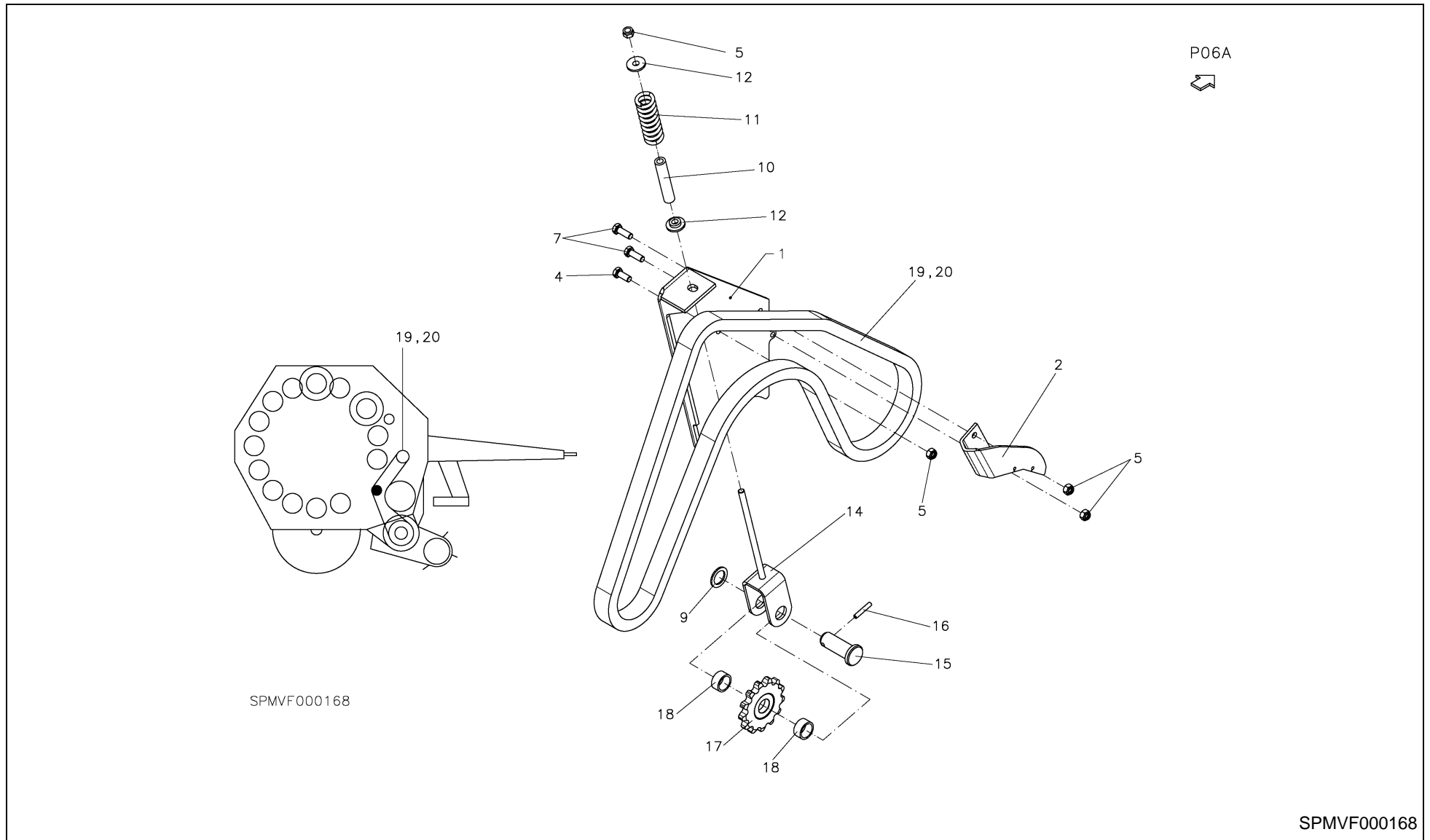
100270902M04

RF 125 R / OC14 / panelling



PosNo.	Part No.	Qty.	Description	Remark
5	VF16617963.94	1	COVER BACK	
8	KG00468761	6	HEX. SCREW M6X16 8.8	
10	VF16618160	1	COUNTER	
10	VF06576900	1	BALE COUNTER	W
11	VF16619328	2	HEAD SCREW	
14	VF06556342	1	LEVER	X 10
17	VF16617009	6	NUT	

RF 125 R / OC14 / tensioner cutting device



SPMVF000168

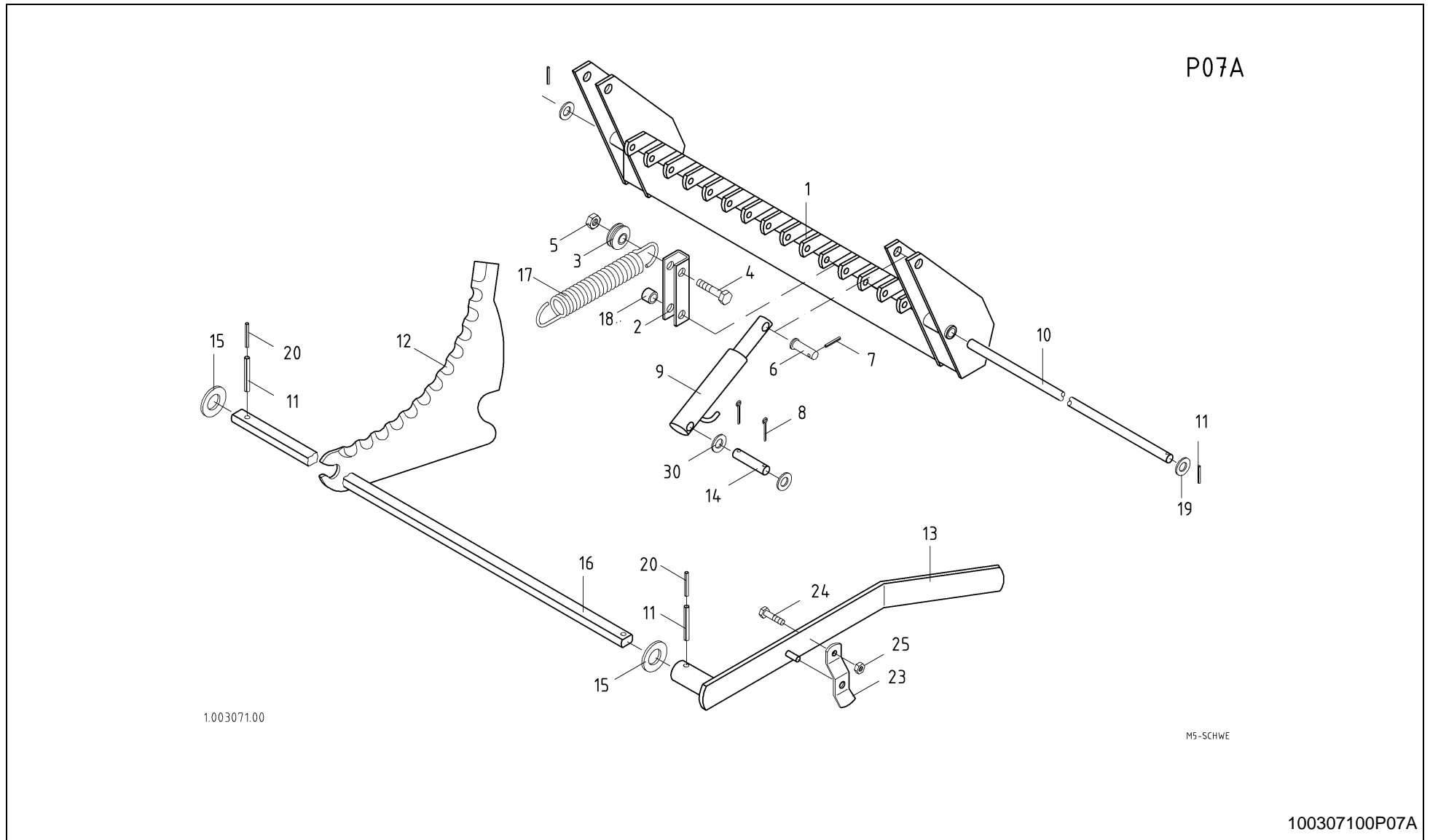
SPMVF000168

RF 125 R / OC14 / tensioner cutting device



PosNo.	Part No.	Qty.	Description	Remark
1	VF16655460.86	1	BEARING PLATE	
2	VF16655461.86	1	CHAIN GUIDE PIECE LE	
4	KG00476561	4	HEX. SCREW M12X30 8.8	
5	KG01067761	6	LOCK NUT M12 8	
7	KG00476661	2	HEX. SCREW M12X35 8.8	
8	KG01067661	1	LOCK NUT M10 8	
9	VF06214321	1	WASHER	
10	VF16619185	1	PIPE/TUBE	
11	VF06215432	1	COMPRESSION SPRING	
12	VF06550817	2	SPRING CUP	
14	VF16614227.86	1	TENSIONER CHAIN	
15	VF16654530	1	PIN	
16	KG01191962	1	TENSION PIN 8X45	
17	VF06554382.86	1	CHAIN WHEEL	
18	VF16614124	2	SPACER TUBE	
19	VF16655471	1	CHAIN 80H1- 108 E	
20	VF01142130	1	CHAIN LOCK	

RF 125 R / OC14 / cutting device 14 knife





RF 125 R / OC14 / cutting device 14 knife

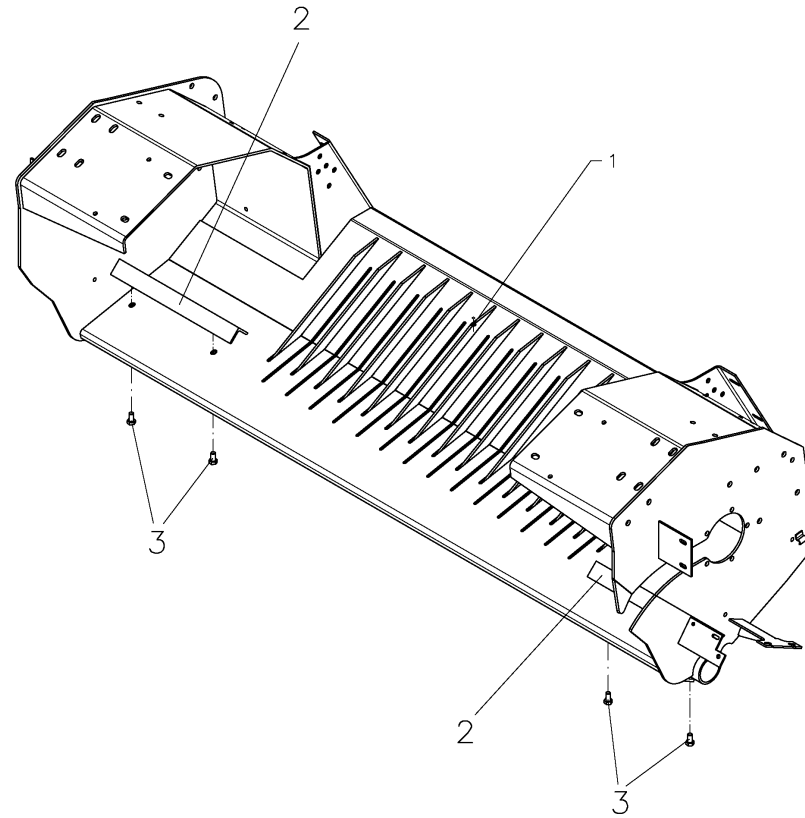
PosNo.	Part No.	Qty.	Description	Remark
1	VF16613976	1	FRAME	
2	VF06579564.86	14	YOKE/RETAINER	
3	VF16618515	14	ROLLER	
4	KG00355661	14	HEX. BOLT M10X60 8.8	
5	KG01067661	14	LOCK NUT M10 8	
6	VF16512862	2	PIN	
7	KG01186662	4	TENSION PIN 4X32	
8	VF01122071	4	SPLIT PIN	
9	VF06579628	2	HYDR. CYLINDER	
9	VF16513632		SEALING SET	
10	VF16655089	1	SHAFT	
11	VF01115457	3	DOWEL PIN	
12	VF16613168	14	KNIFE	
12	VF16653188	14	KNIFE	OPTION
13	VF16617521.86	1	LEVER	
14	VF06277506	2	PIN	
15	VF06214306	4	WASHER	
16	VF06579571	1	AXLE	
17	VF16618516	14	TENSION SPRING	
18	VF16512934	13	PIPE	
19	KG01267961	4	WASHER M20	
20	VF01157314	1	DOWEL PIN	
23	VF06552557	1	LEAF SPRING	
24	KG00468761	1	HEX. SCREW M6X16 8.8	
25	KG01067361	1	LOCK NUT M6 8	
30	VF06214306	4	WASHER	

RF 125 R / OC14 / scraper/wiper 14 knife



PosNo.	Part No.	Qty.	Description	Remark
1	VF16653691	1	ABSTREIFER MIT EINSTELLBLECH	
2	VF16614652.86	1	CROSS BAR	
3	VF16614651	1	RUBBER PACKING	
4	VF16652466.86	4	ADJ.SHEET	
5	KG00641961	4	CARRIAGE BOLT M10X50 8.8	
6	VF16518997	6	SPACER TUBE	
7	KG01067661	4	LOCK NUT M10 8	
8	VF06209225	2	HEX HEAD SCREW	
9	VF01142856	6	TRUSS-HEAD SCREW	

P09A



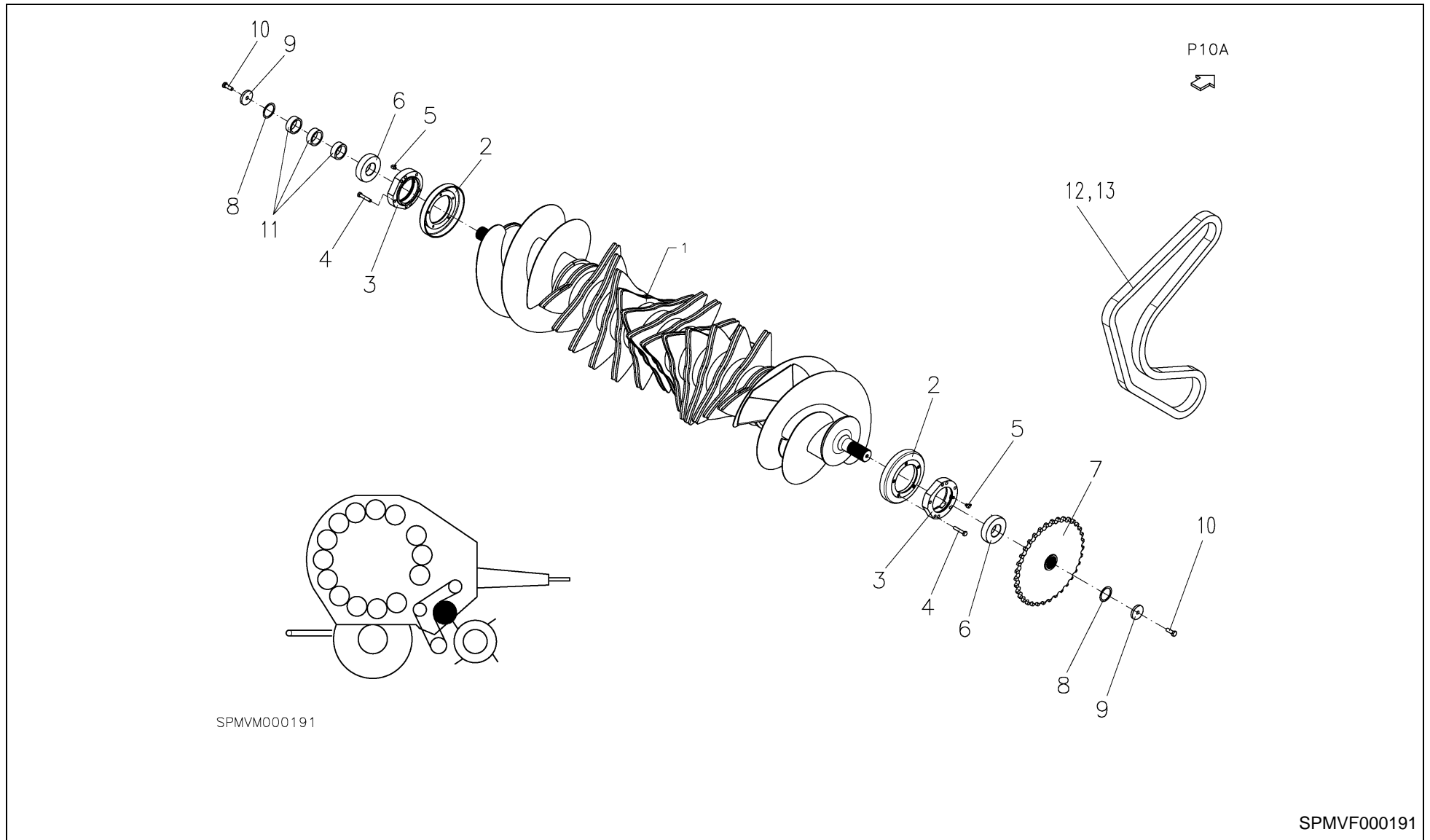
SPMVF000190

SPMVF000190

RF 125 R / OC14 / chassis OC14



PosNo.	Part No.	Qty.	Description	Remark
1	VF16653650.86	1	CUTTING DEVICE	
2	VF16617478	2	SCRAPER/WIPER	
3	VF06209465	4	HEX.HEAD SCREW	



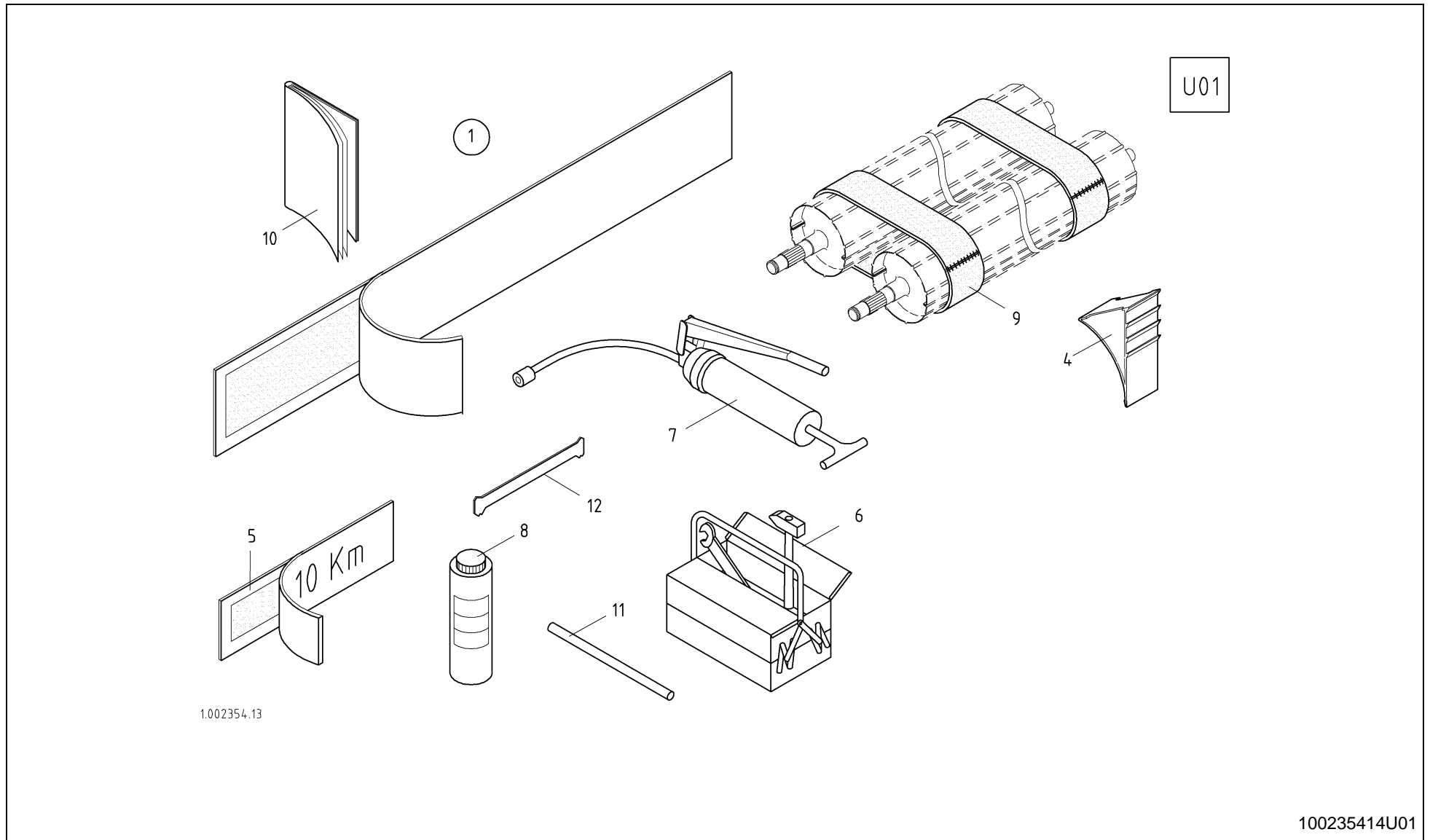
SPMVM000191

SPMVF000191

RF 125 R / OC14 / Rotor OC14



PosNo.	Part No.	Qty.	Description	Remark
1	VF16651695.86	1	TINE ROLLER	
2	VF16613956.86	2	ANTI WRAPPING DEVICE	
3	VF16654252.86	2	LAGERUNG RE. REV.	
4	VF06209240	10	HEX. HEAD SCREW	
5	VF16616404	2	GREASE NIPPLE	
6	VF16614126	2	BALL BEARING	
7	VF16654554.86	1	CHAIN SPROCKET	
8	VGMT0063	4	SHIM SET	
9	VF16618448	2	WASHER	
10	VF06209459	2	HEX. HEAD SCREW	
11	VF16619058	3	SPACER TUBE	
12	VF16655471	1	CHAIN 80H1- 108 E	
13	VF01142130	1	CHAIN LOCK	





RF 125 R / OC14 / decals paint

PosNo.	Part No.	Qty.	Description	Remark
1	VF16652853		LABEL RF 125 R	
4	VF16608181	2	BLOC	
4	VF16608182	2	RETAINER	
4	VF16618179	8	BLANK RIVET	
5	VF02953331		LABEL 10KM	OPTION
6	VF16617448	1	SET OF TOOLS	
7	VF06215179		GREASE GUN	
7	VF02953321		LUBRICANT	
7	VF06513515		LUBE HOSE	
8	VF01397890		OIL	
9	VF16650503	1	BS-BELTS 12X(SET)	
9	VF16650047	5	BELT	X9
9	VGWA158	5	PIN	X9
9	VF16650504	1	MA BS-BELT	X9
10	VF16657716.DA	1	BETR.ANL.RF121/125 R DÄNISCH VICON	
10	VF16657716.DE	1	BETR.ANL.RF121/125 R DEUTSCH VICON	
10	VF16657716.EN	1	BETR.ANL.RF121/125 R ENGLISCH VICON	
10	VF16657716.ES	1	BETR.ANL.RF121/125 R SPANISCH VICON	
10	VF16657716.FR	1	BETR.ANL.RF121/125 R FRANZÖSISCH VICON	
10	VF16657716.IT	1	BETR.ANL.RF121/125 R ITALIENISCH VICON	
10	VF16657716.NL	1	BETR.ANL.RF121/125 R NIEDERLÄNDISCH VICON	
10	VF16657716.NO	1	BETR.ANL.RF121/125 R NORWEGISCH VICON	
10	VF16657716.PL	1	BETR.ANL.RF121/125 R POLNISCH VICON	
10	VF16657716.RU	1	BETR.ANL.RF121/125 R RUSSISCH VICON	
10	VF16657716.SV	1	BETR.ANL.RF121/125 R SCHWEDISCH VICON	
11	VF16617783	1	ROD	
12	VF16653075	1	RULER FOR ABRASION TEST	

RF 125 R / OC14 / Part No Index



Part No.	Page	Pos No	Part No.	Page	Pos No	Part No.	Page	Pos No	Part No.	Page	Pos No
KG00160200	1	3	KG00358561	28	8	KG00469261	15	18	KG00474261	38	42
KG00336061	49	17	KG00362561	40	12	KG00471761	1	4	KG00474361	3	19
KG00337861	30	58	KG00362861	8	20	KG00471761	24	85	KG00474361	12	10
KG00338861	9	44	KG00362861	9	48	KG00471761	28	11	KG00474361	19	5
KG00350161	15	14	KG00363361	8	19	KG00471761	37	19	KG00474361	21	5
KG00351261	26	6	KG00363361	9	47	KG00471961	2	6	KG00474361	22	4
KG00351261	29	3	KG00367961	32	10	KG00471961	15	5	KG00474361	31	1
KG00351261	37	15	KG00458961	43	23	KG00471961	26	19	KG00474461	11	2
KG00353161	17	45	KG00458961	44	23	KG00471961	31	20	KG00474461	34	3
KG00353161	28	14	KG00466161	24	16	KG00471961	36	28	KG00474461	39	7
KG00353161	29	19	KG00466161	49	34	KG00471961	49	5	KG00476461	31	4
KG00353261	22	12	KG00466461	15	6	KG00471961	50	1	KG00476561	28	23
KG00353261	29	20	KG00467061	15	22	KG00471961	50	24	KG00476561	38	38
KG00353461	31	22	KG00468561	24	27	KG00471961	50	30	KG00476561	53	4
KG00353661	38	28	KG00468561	29	22	KG00471961	51	1	KG00476661	31	12
KG00353661	50	15	KG00468761	25	84	KG00471961	51	24	KG00476661	35	9
KG00354261	12	4	KG00468761	26	12	KG00471961	51	30	KG00476661	53	7
KG00354661	50	26	KG00468761	30	62	KG00472161	23	9	KG00476961	28	26
KG00354661	51	16	KG00468761	49	1	KG00472161	26	2	KG00480161	1	6
KG00354661	51	26	KG00468761	49	24	KG00472161	31	40	KG00480161	35	10
KG00355461	12	24	KG00468761	50	19	KG00472161	50	49	KG00480361	32	16
KG00355461	43	21	KG00468761	50	38	KG00472161	51	49	KG00480461	8	14
KG00355461	44	21	KG00468761	50	8	KG00472261	12	4	KG00545161	38	15
KG00355561	24	67	KG00468761	51	19	KG00472261	13	25	KG00598961	4	9
KG00355661	54	4	KG00468761	51	8	KG00472261	17	15	KG00637161	49	13
KG00355861	9	5	KG00468761	52	8	KG00472461	15	26	KG00639061	39	5
KG00356261	24	73	KG00468761	54	24	KG00474061	27	2	KG00639061	50	53
KG00356361	12	42	KG00468961	12	28	KG00474061	30	19	KG00639061	51	53
KG00356461	3	3	KG00468961	17	12	KG00474261	1	5	KG00639161	28	2
KG00356461	37	23	KG00468961	22	17	KG00474261	22	18	KG00639161	31	39
KG00357561	3	18	KG00468961	30	61	KG00474261	24	82	KG00641561	38	41
KG00357961	31	17	KG00468961	50	42	KG00474261	28	29	KG00641961	55	5
KG00358061	29	21	KG00469161	17	12	KG00474261	29	4	KG00672863	37	16

RF 125 R / OC14 / Part No Index



Part No.	Page	Pos No	Part No.	Page	Pos No	Part No.	Page	Pos No	Part No.	Page	Pos No
KG00743163	7	52	KG01067361	26	7	KG01067561	50	32	KG01067761	53	5
KG00846361	46	23	KG01067361	29	26	KG01067561	50	51	KG01067961	8	16
KG00891863	37	11	KG01067361	30	63	KG01067561	51	28	KG01067961	9	46
KG00917600	3	20	KG01067361	49	2	KG01067561	51	3	KG01067961	40	13
KG01051761	15	19	KG01067361	49	26	KG01067561	51	32	KG01068161	32	11
KG01051761	37	51	KG01067361	50	21	KG01067561	51	51	KG01068861	13	27
KG01051961	15	27	KG01067361	50	23	KG01067661	3	22	KG01068861	24	68
KG01051961	28	15	KG01067361	50	40	KG01067661	9	7	KG01068861	28	28
KG01051961	29	23	KG01067361	51	21	KG01067661	11	3	KG01068861	29	28
KG01051961	30	26	KG01067361	51	23	KG01067661	12	25	KG01068861	34	5
KG01052061	12	12	KG01067361	54	25	KG01067661	21	6	KG01068861	37	24
KG01052061	19	3	KG01067561	12	7	KG01067661	22	19	KG01068961	4	11
KG01052061	22	2	KG01067561	13	26	KG01067661	24	20	KG01068961	5	9
KG01052061	24	64	KG01067561	15	28	KG01067661	24	75	KG01068961	6	9
KG01052061	29	24	KG01067561	15	4	KG01067661	27	3	KG01068961	28	10
KG01052061	30	20	KG01067561	17	16	KG01067661	31	3	KG01068961	28	25
KG01052161	3	21	KG01067561	22	13	KG01067661	32	20	KG01068961	35	11
KG01052161	28	9	KG01067561	23	10	KG01067661	38	45	KG01069161	32	14
KG01052161	29	25	KG01067561	24	74	KG01067661	39	8	KG01069161	35	12
KG01067161	15	7	KG01067561	26	4	KG01067661	40	17	KG01081800	1	7
KG01067161	37	12	KG01067561	28	16	KG01067661	43	22	KG01083061	8	9
KG01067161	37	27	KG01067561	28	4	KG01067661	44	22	KG01083061	9	12
KG01067161	49	32	KG01067561	29	27	KG01067661	49	19	KG01097600	25	35
KG01067261	15	15	KG01067561	30	27	KG01067661	53	8	KG01107300	25	37
KG01067361	5	8	KG01067561	31	25	KG01067661	54	5	KG01107300	30	52
KG01067361	6	8	KG01067561	31	35	KG01067661	55	7	KG01107400	25	56
KG01067361	12	29	KG01067561	31	42	KG01067761	3	23	KG01107400	30	50
KG01067361	15	20	KG01067561	36	30	KG01067761	23	6	KG01107400	38	23
KG01067361	17	13	KG01067561	37	20	KG01067761	31	19	KG01107500	38	50
KG01067361	22	16	KG01067561	38	18	KG01067761	31	5	KG01108362	38	66
KG01067361	24	65	KG01067561	49	7	KG01067761	38	37	KG01108862	4	12
KG01067361	24	7	KG01067561	50	28	KG01067761	40	6	KG01108862	38	59
KG01067361	25	34	KG01067561	50	3	KG01067761	41	19	KG01109800	3	24

RF 125 R / OC14 / Part No Index



Part No.	Page	Pos No	Part No.	Page	Pos No	Part No.	Page	Pos No	Part No.	Page	Pos No
KG01110162	45	12	KG01252961	9	13	KG01267461	30	22	KG01306900	38	63
KG01110200	42	6	KG01253861	13	3	KG01267461	31	28	KG01307200	38	74
KG01119100	1	8	KG01267061	15	8	KG01267461	31	44	KG01355200	30	3
KG01127500	25	65	KG01267061	37	13	KG01267461	32	21	KG01356100	38	76
KG01128062	42	5	KG01267061	37	17	KG01267461	34	4	KG01375600	25	64
KG01128200	30	4	KG01267061	49	33	KG01267461	37	30	KG01379500	40	4
KG01128700	38	71	KG01267261	12	44	KG01267461	38	57	KG01379500	41	14
KG01130900	48	9	KG01267261	25	86	KG01267461	49	18	KG01382800	1	11
KG01131100	48	8	KG01267261	29	1	KG01267561	19	21	KG01475400	42	4
KG01184962	19	17	KG01267261	37	50	KG01267561	23	19	KG01477100	48	16
KG01186062	24	15	KG01267261	49	25	KG01267561	28	24	KG01501100	11	5
KG01186062	25	15	KG01267261	50	20	KG01267561	30	59	KG01799200	8	7
KG01186262	24	12	KG01267261	50	39	KG01267561	31	16	KG01799200	9	38
KG01186662	54	7	KG01267261	51	20	KG01267561	31	18	KG01799800	1	12
KG01188162	28	6	KG01267361	26	17	KG01267561	35	13	KG01800100	1	13
KG01188462	30	6	KG01267361	26	20	KG01267761	8	15	KG01802600	8	8
KG01189062	48	30	KG01267361	31	29	KG01267761	9	45	KG01802600	9	37
KG01190062	38	48	KG01267361	36	29	KG01267761	25	51	MT00000189	37	2
KG01191962	5	12	KG01267361	49	6	KG01267761	25	55	MT00000190	37	42
KG01191962	6	12	KG01267361	50	27	KG01267761	30	49	UH415828	32	19
KG01191962	41	8	KG01267361	50	31	KG01267761	32	15	UH415829	32	18
KG01191962	53	16	KG01267361	50	4	KG01267761	35	3	UH415830-K	32	17
KG01194562	7	27	KG01267361	51	27	KG01267961	30	9	VF01100982	17	48
KG01247461	24	2	KG01267361	51	31	KG01267961	32	12	VF01102494	41	7
KG01249661	26	18	KG01267361	51	4	KG01267961	54	19	VF01102550	36	12
KG01249661	30	23	KG01267461	9	6	KG01273561	38	29	VF01103117	17	23
KG01249661	37	31	KG01267461	11	4	KG01273661	29	30	VF01104181	24	6
KG01251461	29	29	KG01267461	12	11	KG01273661	40	16	VF01104181	38	55
KG01251561	14	6	KG01267461	13	1	KG01273661	42	7	VF01105524	36	7
KG01251561	19	20	KG01267461	19	4	KG01273661	44	4	VF01107552	29	2
KG01251561	22	22	KG01267461	22	20	KG01281461	36	15	VF01110522	25	33
KG01252061	1	9	KG01267461	22	3	KG01281561	37	49	VF01115040	22	23
KG01252961	8	6	KG01267461	24	81	KG01282061	1	10	VF01115307	24	30

RF 125 R / OC14 / Part No Index



Part No.	Page	Pos No	Part No.	Page	Pos No	Part No.	Page	Pos No	Part No.	Page	Pos No
VF01115457	54	11	VF01137633	20	11	VF01162414	36	10	VF02953331	58	5
VF01116029	35	1	VF01137633	21	23	VF01170940	38	65	VF02953332	24	19
VF01116626	22	30	VF01137633	22	25	VF01171247	17	42	VF06209185	13	28
VF01116677	23	16	VF01138092	15	16	VF01173381	23	7	VF06209225	44	8
VF01116679	14	8	VF01138092	15	23	VF01173381	38	75	VF06209225	55	8
VF01116682	18	14	VF01138424	30	71	VF01173543	15	11	VF06209240	57	4
VF01116682	19	24	VF01139169	12	33	VF01174958	30	55	VF06209249	46	3
VF01116705	23	18	VF01139266	10	2.1	VF01177316	17	24	VF06209251	38	84
VF01116946	17	34	VF01141063	43	16	VF01177466	38	33	VF06209459	57	10
VF01118736	20	2	VF01141364	40	1	VF01177466	42	8	VF06209465	27	4
VF01118736	21	13	VF01141364	41	15	VF01177888	2	4	VF06209465	56	3
VF01118736	22	8	VF01141494	39	16	VF01178250	43	24	VF06209473	30	8
VF01119778	24	3.1	VF01142017.86	30	51	VF01178250	45	4	VF06209483	38	56
VF01120694	3	2	VF01142077	29	31	VF01178250	46	4	VF06209938	24	23
VF01120694	48	18	VF01142083	21	18	VF01211882	12	27	VF06210002	37	29
VF01120915	29	5	VF01142130	47	5	VF01211882	17	11	VF06210009	29	18
VF01121332	37	33	VF01142130	53	20	VF01211882	22	15	VF06210017	19	19
VF01121409	36	11	VF01142130	57	13	VF01237560	36	21	VF06210024	22	21
VF01121766	21	19	VF01142246	21	22	VF01292484	17	49	VF06210691	24	28
VF01121797	9	36	VF01142246	22	32	VF01397606	10	4.1	VF06213975	36	9
VF01121808	8	13	VF01142247	21	8	VF01397760	48	26	VF06214193	22	34
VF01121808	9	35	VF01142334	10	3.1	VF01397863	12	9	VF06214193	26	3
VF01122071	54	8	VF01142565	31	33	VF01397863	38	30	VF06214193	28	3
VF01125146	21	12	VF01142668	10	3.3	VF01397863	39	6	VF06214193	30	65
VF01125146	22	28	VF01142668	10	4.3	VF01397887	31	27	VF06214195	22	14
VF01125152	22	29	VF01142826	50	34	VF01397890	58	8	VF06214234	13	4
VF01126749	38	34	VF01142826	51	34	VF01397910	39	10	VF06214240	43	20
VF01128263	17	3	VF01142838	28	27	VF01397931	39	11	VF06214246	2	7
VF01132625	29	6	VF01142844	35	2	VF01397933	17	47	VF06214246	12	8
VF01133287	43	17	VF01142856	55	9	VF01397983	40	15	VF06214246	13	5
VF01133287	44	17	VF01157314	54	20	VF01397983	43	12	VF06214246	15	3
VF01136686	12	32	VF01157397	29	17	VF01397983	44	12	VF06214246	23	8
VF01137526	9	40	VF01157427	38	58	VF02953321	58	7	VF06214246	31	21

RF 125 R / OC14 / Part No Index



Part No.	Page	Pos No	Part No.	Page	Pos No	Part No.	Page	Pos No	Part No.	Page	Pos No
VF06214269	15	25	VF06215783	38	36	VF06277506	54	14	VF06579564.86	54	2
VF06214293	24	26	VF06215783	38	43	VF06513515	58	7	VF06579571	54	16
VF06214306	20	10	VF06216402	17	18	VF06550817	4	2	VF06579628	54	9
VF06214306	54	15	VF06216479	17	17	VF06550817	5	3	VF06580546	40	7
VF06214306	54	30	VF06216479	36	17	VF06550817	6	3	VF06580546	41	20
VF06214321	5	1	VF06216479	37	25	VF06550817	53	12	VF06581181	14	18
VF06214321	6	1	VF06216747	22	7	VF06551690	17	19	VF06581181	17	38
VF06214321	53	9	VF06216749	22	5	VF06552220	24	29	VF06581954	7	54
VF06214411	14	2	VF06216756	21	3	VF06552557	54	23	VF06582181	7	30
VF06214421	41	11	VF06216756	22	33	VF06554382.86	4	17	VF06582182	7	31
VF06214477	38	68	VF06216757	22	26	VF06554382.86	5	10	VF06582525	14	11
VF06214481	38	61	VF06216762	22	24	VF06554382.86	6	10	VF06586755	7	24
VF06214493	3	14	VF06216763	20	9	VF06554382.86	53	17	VF06587242	36	13.1
VF06214586	24	13	VF06216771	20	3	VF06554445	17	2	VF06589025	14	15
VF06214690	24	87	VF06216771	21	17	VF06556342	52	14	VF16500120	7	23
VF06214690	25	41	VF06216772	20	4	VF06558568	19	13	VF16512862	54	6
VF06214722	48	21	VF06216772	21	20	VF06558797	21	1	VF16512934	54	18
VF06214938	38	49	VF06216773	17	22	VF06558801	20	8	VF16513616	7	53
VF06214992	36	19	VF06216815	17	21	VF06560636	12	37	VF16513632	54	9
VF06215027	38	51	VF06217226	36	20.1	VF06564448	34	6	VF16513636	7	57
VF06215179	58	7	VF06217227	36	20	VF06564735.98	40	2	VF16513861	19	22
VF06215272	26	16	VF06229502	41	10	VF06564735.98	41	16	VF16513900.86	19	18
VF06215272	26	9	VF06231049	15	29	VF06567492	40	8	VF16514266	39	4
VF06215408	3	5	VF06246598	15	30	VF06567492	41	13	VF16514462	37	10
VF06215425	14	3	VF06246785	38	17	VF06571857	46	22	VF16516440	12	23
VF06215432	4	1	VF06249879	40	3	VF06573120	18	5	VF16516441.61	12	26
VF06215432	5	2	VF06249879	41	17	VF06573140	18	4	VF16517257	39	15
VF06215432	6	2	VF06250778	24	70	VF06573520	24	77	VF16517258.86	39	12
VF06215432	53	11	VF06250780	24	71	VF06575227	2	1	VF16517301	39	13
VF06215539	30	24	VF06251807	17	27	VF06576501	14	7	VF16517302.86	39	14
VF06215540	38	14	VF06273854	38	54	VF06576898.86	31	24	VF16518571	37	33
VF06215766	38	12	VF06277296	21	14	VF06576899	31	23	VF16518781	26	21
VF06215766	38	44	VF06277296	22	27	VF06576900	52	10	VF16518836	17	1

RF 125 R / OC14 / Part No Index



Part No.	Page	Pos No	Part No.	Page	Pos No	Part No.	Page	Pos No	Part No.	Page	Pos No
VF16518997	37	41	VF16613283	37	26	VF16614652.86	55	2	VF16615961	19	14
VF16518997	55	6	VF16613756	23	4	VF16614738	30	2	VF16615962	12	30
VF16519134	31	30	VF16613757.86	23	3	VF16614799.86	4	3	VF16615963	12	31
VF16519134	34	9	VF16613758.86	23	2	VF16614837.86	36	24	VF16615967	29	7
VF16519175	26	10	VF16613771.86	3	6	VF16614838.86	36	25	VF16615972.86	22	9
VF16519575	25	46	VF16613777.86	3	7	VF16614872	4	4	VF16615988	22	6
VF16519601	43	7	VF16613956.86	57	2	VF16615203.86	38	52	VF16615990	37	6
VF16519601	44	7	VF16613976	54	1	VF16615252	4	5	VF16616005	7	28
VF16519601	45	5	VF16614109	3	8	VF16615267	10	4	VF16616006	7	29
VF16519601	46	5	VF16614124	5	4	VF16615268	10	3	VF16616018	10	3.2
VF16519627	43	13	VF16614124	6	4	VF16615269	10	2	VF16616018	10	4.2
VF16519628	45	8	VF16614124	53	18	VF16615352	24	8	VF16616073	7	5
VF16519628	46	8	VF16614126	48	12	VF16615352	37	40	VF16616200	24	1
VF16600374	14	16	VF16614126	57	6	VF16615371	25	43	VF16616217	25	32
VF16602619	9	9	VF16614227.86	5	6	VF16615372	25	60	VF16616224.86	24	18
VF16604743	24	25	VF16614227.86	6	6	VF16615376.86	24	11	VF16616226.86	25	4
VF16607410	13	9	VF16614227.86	53	14	VF16615381	24	10	VF16616228.86	25	2
VF16607782	14	10	VF16614253.86	3	9	VF16615390	24	17	VF16616232	25	53
VF16608181	58	4	VF16614279	3	10	VF16615393	37	18	VF16616233	24	3
VF16608182	58	4	VF16614376	30	5	VF16615400	34	8	VF16616234	24	5
VF16609814	43	26	VF16614411	18	2	VF16615440	23	17	VF16616235.86	24	22
VF16609814	44	26	VF16614412	18	3	VF16615442	14	9	VF16616236	25	66
VF16609814	45	17	VF16614413	18	17	VF16615731	15	9	VF16616247	25	47
VF16609814	46	17	VF16614414	18	7	VF16615738.86	17	4	VF16616248.86	25	62
VF16610791	13	10	VF16614415	18	8	VF16615755	49	11	VF16616279	24	86
VF16611417	26	21	VF16614416	18	9	VF16615783.86	49	15	VF16616279	25	39
VF16611457	49	8	VF16614417	18	16	VF16615831.86	12	2	VF16616280	25	50
VF16612402	9	34	VF16614418	18	11	VF16615878	15	10	VF16616315.86	43	15
VF16612405	8	3	VF16614419	18	12	VF16615894	36	6	VF16616315.86	44	15
VF16612405	9	39	VF16614436	48	28	VF16615895	36	5	VF16616317.86	43	14
VF16612429.86	9	3	VF16614444	8	2	VF16615947	46	19	VF16616317.86	44	14
VF16613168	54	12	VF16614616	25	36	VF16615955	19	23	VF16616318	43	19
VF16613256	19	26	VF16614651	55	3	VF16615956	19	15	VF16616318	44	19

RF 125 R / OC14 / Part No Index



Part No.	Page	Pos No	Part No.	Page	Pos No	Part No.	Page	Pos No	Part No.	Page	Pos No
VF16616319	43	25	VF16617009	51	17	VF16617244	38	31	VF16617845	43	11
VF16616328	3	11	VF16617009	52	17	VF16617329.86	8	5	VF16617845	44	11
VF16616393	13	11	VF16617016.94	49	23	VF16617329.86	9	32	VF16617848	44	9
VF16616404	57	5	VF16617036.94	49	27	VF16617420	7	1	VF16617849.86	44	5
VF16616460	38	10	VF16617076	50	14	VF16617448	58	6	VF16617905.86	38	69
VF16616515	44	34	VF16617077	50	25	VF16617478	56	2	VF16617907	24	63
VF16616515	45	15	VF16617077	51	13	VF16617521.86	54	13	VF16617908	24	66
VF16616515	46	15	VF16617077	51	25	VF16617533	15	13	VF16617910	38	46
VF16616517	5	13	VF16617089	49	21	VF16617537	37	5	VF16617950.86	46	6
VF16616517	6	13	VF16617102	29	8	VF16617549.86	17	5	VF16617953.86	46	11
VF16616517	43	30	VF16617103	29	9	VF16617574	37	32	VF16617963.94	52	5
VF16616517	45	16	VF16617104	30	64	VF16617581	25	85	VF16617964.86	50	7
VF16616517	46	16	VF16617109	28	7	VF16617582	26	13	VF16617965.86	51	6
VF16616519	4	13	VF16617110	30	60	VF16617583.86	24	84	VF16617966.86	50	11
VF16616519	43	31	VF16617116.86	30	7	VF16617596.86	26	5	VF16617967.86	51	12
VF16616519	44	33	VF16617124.86	30	21	VF16617597.86	25	54	VF16617975.86	45	6
VF16616665	37	33	VF16617132.86	29	10	VF16617599	25	57	VF16617978	38	72
VF16616770	10	5.1	VF16617134	29	11	VF16617603	49	9	VF16617979	45	9
VF16616773	10	5	VF16617137.86	29	12	VF16617604	50	37	VF16617979	46	9
VF16616857.86	45	11	VF16617148.86	30	57	VF16617605.86	50	36	VF16617979	48	6
VF16616861	45	7	VF16617149	30	56	VF16617661	15	21	VF16617987	11	1
VF16616861	46	7	VF16617157.86	37	21	VF16617679	15	17	VF16617992.86	50	9
VF16616863	43	3	VF16617158	37	22	VF16617728.86	4	6	VF16617993.86	51	10
VF16616863	44	3	VF16617160.86	28	1	VF16617728.86	4	6	VF16618011.86	38	13
VF16616863	45	2	VF16617163.86	28	5	VF16617729	4	7	VF16618012	38	8
VF16616863	46	21	VF16617171.86	28	12	VF16617738	5	7	VF16618017.86	38	70
VF16616873	44	6	VF16617177.86	26	15	VF16617738	6	7	VF16618104.94	49	16
VF16616950	16	2	VF16617182	26	14	VF16617775	48	25	VF16618108.86	49	14
VF16616979	37	8	VF16617189.86	27	1	VF16617783	58	11	VF16618109.94	49	12
VF16616999.86	31	26	VF16617194.86	31	2	VF16617816	46	2	VF16618110.86	49	10
VF16617004	49	20	VF16617203	38	21	VF16617819.86	31	6	VF16618124.86	50	41
VF16617009	49	4	VF16617206	38	40	VF16617841.86	43	10	VF16618125.86	51	35
VF16617009	50	17	VF16617225.86	38	4	VF16617841.86	44	10	VF16618129	50	43

RF 125 R / OC14 / Part No Index



Part No.	Page	Pos No	Part No.	Page	Pos No	Part No.	Page	Pos No	Part No.	Page	Pos No
VF16618129	51	43	VF16618596	43	18	VF16618774	44	16	VF16650133	13	13
VF16618154	12	41	VF16618596	44	18	VF16618784.86	44	27	VF16650190	20	6
VF16618160	52	10	VF16618616	23	5	VF16618786	44	25	VF16650191	20	1
VF16618166	36	2	VF16618667	8	11	VF16618793	49	31	VF16650192	12	13
VF16618167	36	2	VF16618668	8	4	VF16618794	5	11	VF16650304.86	31	43
VF16618179	58	4	VF16618668	9	14	VF16618794	6	11	VF16650371.86	50	45
VF16618198	3	12	VF16618669	8	10	VF16618811.86	38	35	VF16650373.86	50	46
VF16618202	17	50	VF16618670	8	12	VF16618830	20	5	VF16650373.86	51	46
VF16618206	17	31	VF16618674	9	8	VF16618867	44	13	VF16650374.86	50	48
VF16618207	17	33	VF16618675	9	10	VF16618868.86	38	9	VF16650374.86	51	48
VF16618209	17	52	VF16618676	9	11	VF16619058	57	11	VF16650381.86	51	45
VF16618237.86	22	10	VF16618677	9	15	VF16619111	38	67	VF16650382	51	47
VF16618298	45	18	VF16618678	9	16	VF16619185	53	10	VF16650503	58	9
VF16618298	46	18	VF16618679	9	17	VF16619305	25	92	VF16650504	58	9
VF16618298	48	3	VF16618680	9	18	VF16619328	52	11	VF16650709.86	48	11
VF16618304	35	4	VF16618681	9	19	VF16619481.86	39	19	VF16650712	48	15
VF16618305	35	5	VF16618682	9	20	VF16619564	46	14	VF16650713	48	19
VF16618306.86	35	6	VF16618683	9	21	VF16619620	37	25	VF16650721.86	48	1
VF16618323	14	4	VF16618684	9	22	VF16619624	17	40	VF16650930.86	31	13
VF16618413.86	30	18	VF16618685	9	23	VF16619637	17	26	VF16650936.86	50	52
VF16618423	25	63	VF16618686	9	24	VF16619637	18	1	VF16650936.86	51	52
VF16618430.86	30	53	VF16618687	9	25	VF16619824	38	11	VF16651001.86	31	11
VF16618436	39	18	VF16618688	9	26	VF16619984	3	13	VF16651002.86	31	15
VF16618448	57	9	VF16618689	9	27	VF16622598.98	40	9	VF16651015.86	31	14
VF16618449	38	77	VF16618690	9	28	VF16622598.98	41	12	VF16651051.86	48	22
VF16618456	50	2	VF16618691	9	29	VF16625102	7	12	VF16651074.86	48	13
VF16618456	51	2	VF16618692	9	30	VF16625121	7	11	VF16651161.86	31	9
VF16618479	32	4	VF16618693	9	31	VF16625122	7	21	VF16651180.86	38	6
VF16618480.86	30	48	VF16618694	9	33	VF16625123	7	26	VF16651190.86	38	7
VF16618515	54	3	VF16618727.86	29	13	VF16625125	7	13	VF16651235	48	2
VF16618516	54	17	VF16618729.86	38	73	VF16650047	58	9	VF16651240	48	14
VF16618531	47	6	VF16618769	49	30	VF16650122	21	9	VF16651247	48	7
VF16618592	46	12	VF16618772	49	29	VF16650129.86	12	3	VF16651376	15	12

RF 125 R / OC14 / Part No Index



Part No.	Page	Pos No	Part No.	Page	Pos No	Part No.	Page	Pos No	Part No.	Page	Pos No
VF16651695.86	57	1	VF16653085.86	9	4	VF16654361.86	42	9	VF16655180.86	31	7
VF16651770	48	23	VF16653089.86	22	1	VF16654387.86	38	5	VF16655190.86	31	10
VF16651791.86	32	6	VF16653142	13	16	VF16654388.86	38	2	VF16655434.86	50	47
VF16651851	32	7	VF16653185	13	17	VF16654389.86	39	3	VF16655435.86	51	47
VF16651852	32	8	VF16653186	13	18	VF16654530	5	5	VF16655436.86	31	37
VF16652001.86	21	4	VF16653188	54	12	VF16654530	6	5	VF16655436.86	49	28
VF16652006	21	16	VF16653195	13	19	VF16654530	53	15	VF16655452.86	3	16
VF16652028	21	7	VF16653196	13	20	VF16654554.86	57	7	VF16655457.86	3	17
VF16652035.86	12	14	VF16653236	8	1	VF16654615.86	33	3	VF16655460.86	53	1
VF16652161.86	42	1	VF16653237	9	1	VF16654619.86	8	18	VF16655461.86	53	2
VF16652165.86	24	1.1	VF16653600	38	1	VF16654619.86	9	50	VF16655471	53	19
VF16652187.86	42	2	VF16653607	23	11	VF16654666	47	2	VF16655471	57	12
VF16652199.86	39	17	VF16653616	30	25	VF16654667	47	1	VF16655475.86	31	38
VF16652203	48	27	VF16653629.86	15	2	VF16654668	47	3	VF16655476.86	31	36
VF16652237.86	35	7	VF16653632	15	1	VF16654682.86	41	1	VF16655480.86	26	1
VF16652238.86	35	8	VF16653650.86	56	1	VF16654683.86	41	2	VF16655485.86	28	1
VF16652343	14	1	VF16653666.86	13	21	VF16654690.86	41	3	VF16655805.86	29	15
VF16652374.86	40	10	VF16653689	16	2	VF16654691.86	41	4	VF16655808.86	29	16
VF16652392.86	40	11	VF16653690	13	22	VF16654706	21	15	VF16655836	17	14
VF16652392.86	41	5	VF16653690	16	1	VF16654714	23	12	VF16655917	16	2
VF16652392.86	41	6	VF16653691	55	1	VF16654742	13	24	VF16655977	23	5
VF16652409.86	37	14	VF16653702.86	9	2	VF16654756	38	86	VF16657083	47	4
VF16652466.86	55	4	VF16654134	32	13	VF16654909.86	28	22	VF16657716.DA	58	10
VF16652753	48	31	VF16654141.86	32	1	VF16654925.86	38	39	VF16657716.DE	58	10
VF16652834	14	5	VF16654142.86	32	2	VF16655005	29	40	VF16657716.EN	58	10
VF16652853	58	1	VF16654187.86	28	21	VF16655014	42	10	VF16657716.ES	58	10
VF16652934.86	34	2	VF16654189.86	3	15	VF16655020	42	3	VF16657716.FR	58	10
VF16652939.86	34	1	VF16654189.86	23	1	VF16655023	38	85	VF16657716.IT	58	10
VF16653040.86	31	8	VF16654252.86	57	3	VF16655036	29	14	VF16657716.NL	58	10
VF16653045.86	13	15	VF16654305.86	38	3	VF16655049	38	64	VF16657716.NO	58	10
VF16653062.86	19	2	VF16654331.86	24	14	VF16655067	16	1	VF16657716.PL	58	10
VF16653071	19	16	VF16654333	13	23	VF16655069	16	2	VF16657716.RU	58	10
VF16653075	58	12	VF16654358	30	16	VF16655089	54	10	VF16657716.SV	58	10

RF 125 R / OC14 / Part No Index



Part No.	Page	Pos No	Part No.	Page	Pos No	Part No.	Page	Pos No	Part No.	Page	Pos No
VF16658161	37	28	VGND3030V	50	50	VGND9607	13	8	VGWA735	1	23
VG38722004	10	1.1	VGND3030V	51	50	VGND9607	14	12	VGWA736	1	24
VG38723002	10	1.3	VGND3034V	15	24	VGND9607	23	14	VGWA737	1	25
VG38723002	10	2.3	VGND3034V	26	8	VGND97021	10	2.2	VGWA738	1	26
VG38723002	10	5.3	VGND3034V	49	22	VGND97026	10	1	VGWA739	1	27
VG61.05.04	38	47	VGND3034V	49	3	VGND97027	10	1.2	VNB0274573	37	4
VG63.27.00	7	32	VGND3138V	38	62	VGND97027	10	5.2	VNB0279773	37	3
VG82.36.03	7	58	VGND3156	19	25	VGND98026V	48	10	VNB0435973	37	7
VG82.36.08	7	59	VGND6230	13	6	VGND9813V	3	1	VNB0435973	37	9
VG82.85.00	7	56	VGND6230	14	13	VGND9813V	7	25	VNB0572773	37	1
VG85.01.02	7	51	VGND6230	23	15	VGND9813V	13	2	VRR0305901	13	12
VGAH00132	1	1	VGND9004V	7	22	VGND9813V	41	9			
VGBR804	36	23	VGND9004V	48	24	VGND9824	1	18			
VGGS0089	1	2	VGND92031V	13	7	VGND9889	36	18			
VGMT00310	1	14	VGND92031V	14	14	VGND9906V	17	51			
VGMT00310	38	60	VGND92031V	23	13	VGPZ160V	34	7			
VGMT0063	57	8	VGND92043V	14	17	VGPZ160V	40	14			
VGMT152V	24	21	VGND92092V	1	15	VGTH100V	3	4			
VGMT152V	24	69	VGND92093V	1	16	VGTH100V	40	5			
VGMT152V	38	83	VGND92155V	1	17	VGTH100V	41	18			
VGMT152V	39	9	VGND9295	4	14	VGTP0011	30	14			
VGND1403V	43	2	VGND9295	5	14	VGTP0011	45	10			
VGND1403V	44	2	VGND9295	6	14	VGTP0011	46	10			
VGND1403V	45	1	VGND9295	43	30.1	VGTP0011	48	4			
VGND1403V	46	1	VGND9295	43	31.1	VGTP0011	48	5			
VGND1481V	31	45	VGND9295	44	33.1	VGWA00154	1	19			
VGND1481V	38	82	VGND9295	44	34.1	VGWA00154	2	2			
VGND1481V	46	20	VGND9295	45	15.1	VGWA01657	33	2			
VGND3030V	12	6	VGND9295	45	16.1	VGWA0647	33	1			
VGND3030V	17	46	VGND9295	46	15.1	VGWA158	58	9			
VGND3030V	31	34	VGND9295	46	16.1	VGWA1809	1	20			
VGND3030V	31	41	VGND94053	2	3	VGWA662V	1	21			
VGND3030V	37	46	VGND9475	2	5	VGWA734	1	22			



RF 125 R / OC14

< Mach. ID <=

Kverneland Group Gottmadingen N.V.
Industriepark 312
78244 Gottmadingen
Germany
+49 7731 788 0
+49 7731 788 253

© Kverneland Group

All rights reserved. No parts of this book may be reproduced, stored in a database or retrieval system, or published in any form or in any way, electronically, mechanically, optically, by print, photo print, microfilm (including micro and macro fiche), or any other means, including all video and CD systems, without prior written permission from the publisher.

Print date: 2007-03-08

